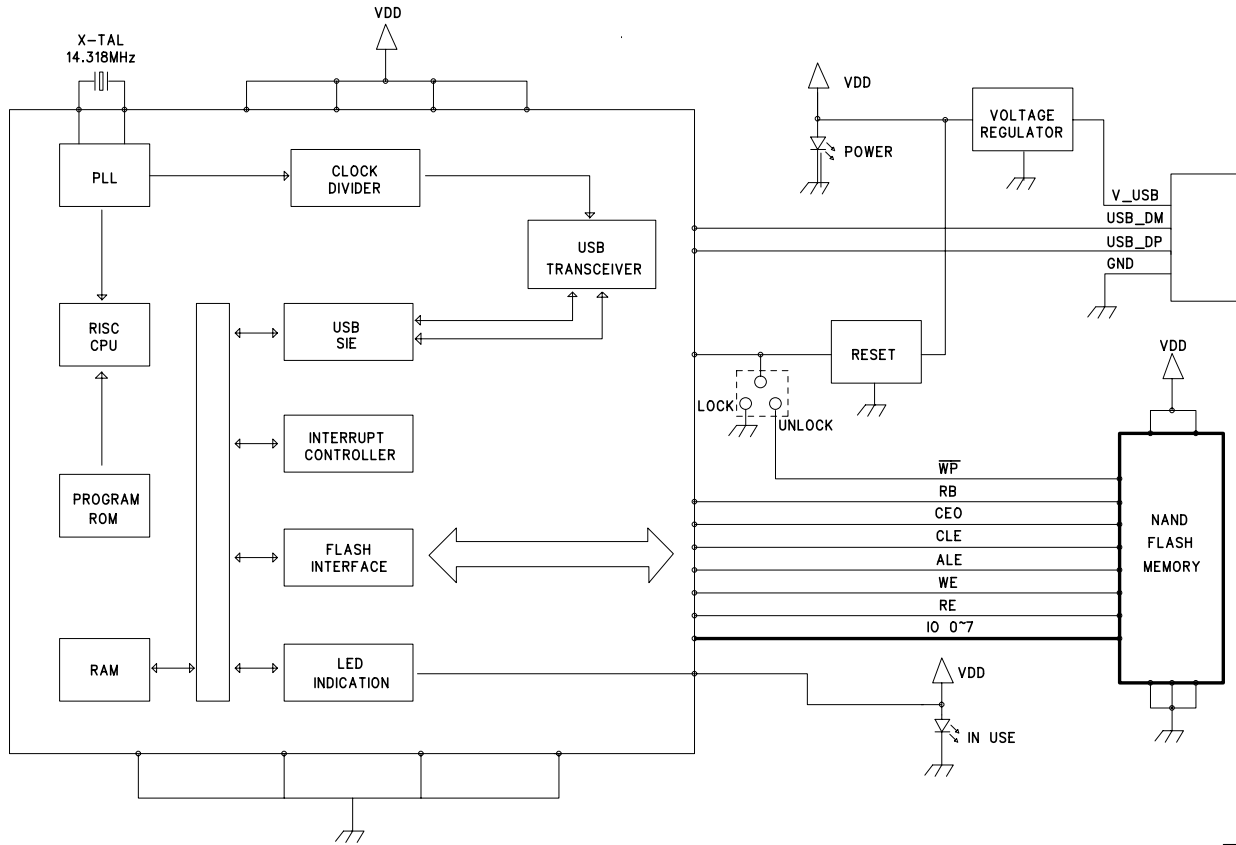


NO	DATE	POS.	CONTENTS	NO	DATE	POS.	CONTENTS

# WIN DRIVE BLOCK DIAGRAM



CONFIDENTIAL/CONTROL COPY

FILENAME	CODE NO.			SHEET
MODEL	DESIGN	CHKD	CHKD	1/1
WIN DRIVE				APPROVAL
DESIGN DATE				