



## Appendix B

### Measurement Plots

Test Laboratory: ELECTRONIC TECHNOLOGY SYSTEMS DR. GENZ GMBH

### Dipol Valid.1900(h)\_250mW\_24.5.05

**DUT: Dipole 1900 MHz; Type: D1900V2; Serial: 5d025**

Communication System: CW; Frequency: 1900 MHz; Duty Cycle: 1:1

Medium: Head 1900 MHz Medium parameters used:  $f = 1900$  MHz;  $\sigma = 1.42$  mho/m;  $\epsilon_r = 39.9$ ;  $\rho = 1000$  kg/m<sup>3</sup>

Phantom section: Flat Section

DASY4 Configuration:

- Probe: ET3DV6 - SN1711; ConvF(5.2, 5.2, 5.2); Calibrated: 12/16/2003
- Sensor-Surface: 4mm (Mechanical And Optical Surface Detection)
- Electronics: DAE3 Sn522; Calibrated: 1/12/2004
- Phantom: SAM 12; Type: TP-1217; Serial: QD000P40CA
- Measurement SW: DASY4, V4.4 Build 3; Postprocessing SW: SEMCAD, V1.8 Build 130

**Dipol 1900 (250mW)/Area Scan (61x81x1):** Measurement grid: dx=10mm, dy=10mm  
Maximum value of SAR (interpolated) = 11.5 mW/g

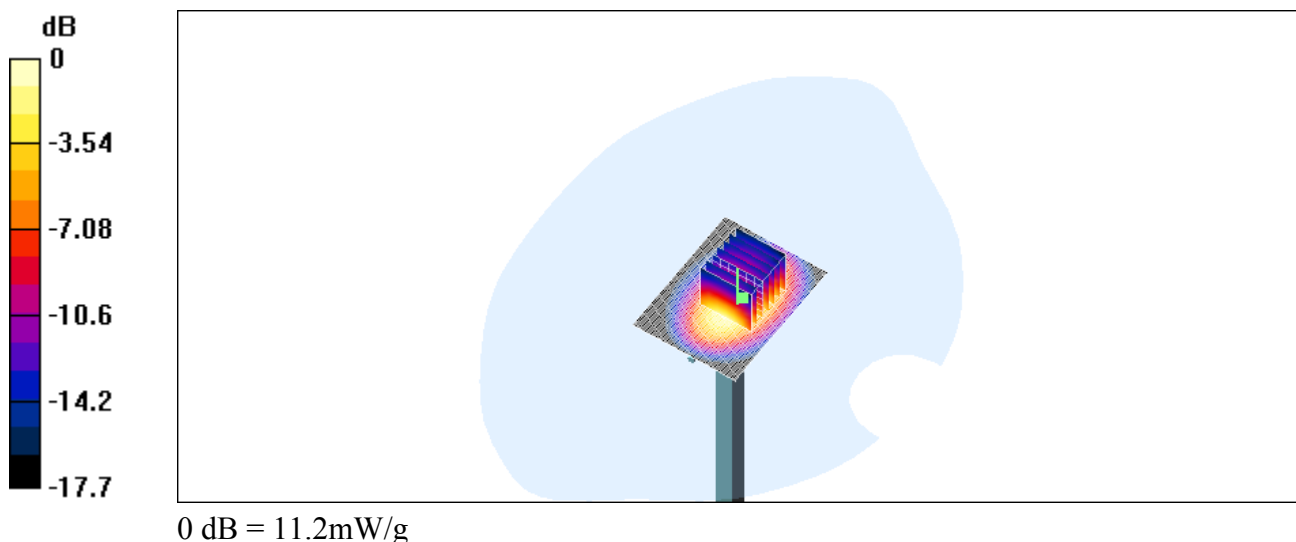
**Dipol 1900 (250mW)/Zoom Scan (7x7x7)/Cube 0:** Measurement grid: dx=5mm, dy=5mm, dz=5mm

Reference Value = 87.7 V/m; Power Drift = -0.0 dB

Peak SAR (extrapolated) = 17.5 W/kg

**SAR(1 g) = 9.98 mW/g; SAR(10 g) = 5.2 mW/g**

Maximum value of SAR (measured) = 11.2 mW/g



Test Laboratory: ELECTRONIC TECHNOLOGY SYSTEMS DR. GENZ GMBH

### Dipol Valid.1900(m)\_250mW26.5.05

**DUT: Dipole 1900 MHz; Type: D1900V2; Serial: 5d025**

Communication System: CW; Frequency: 1900 MHz; Duty Cycle: 1:1

Medium: Muscle 1900 MHz Medium parameters used:  $f = 1900$  MHz;  $\sigma = 1.58$  mho/m;  $\epsilon_r = 51.9$ ;  $\rho = 1000$  kg/m<sup>3</sup>

Phantom section: Flat Section

DASY4 Configuration:

- Probe: ET3DV6 - SN1711; ConvF(4.6, 4.6, 4.6); Calibrated: 12/16/2003
- Sensor-Surface: 4mm (Mechanical And Optical Surface Detection)
- Electronics: DAE3 Sn522; Calibrated: 1/12/2004
- Phantom: SAM 12; Type: TP-1217; Serial: QD000P40CA
- Measurement SW: DASY4, V4.4 Build 3; Postprocessing SW: SEMCAD, V1.8 Build 130

**Dipol 1900 (250mW)/Area Scan (61x81x1):** Measurement grid: dx=10mm, dy=10mm  
Maximum value of SAR (interpolated) = 12.8 mW/g

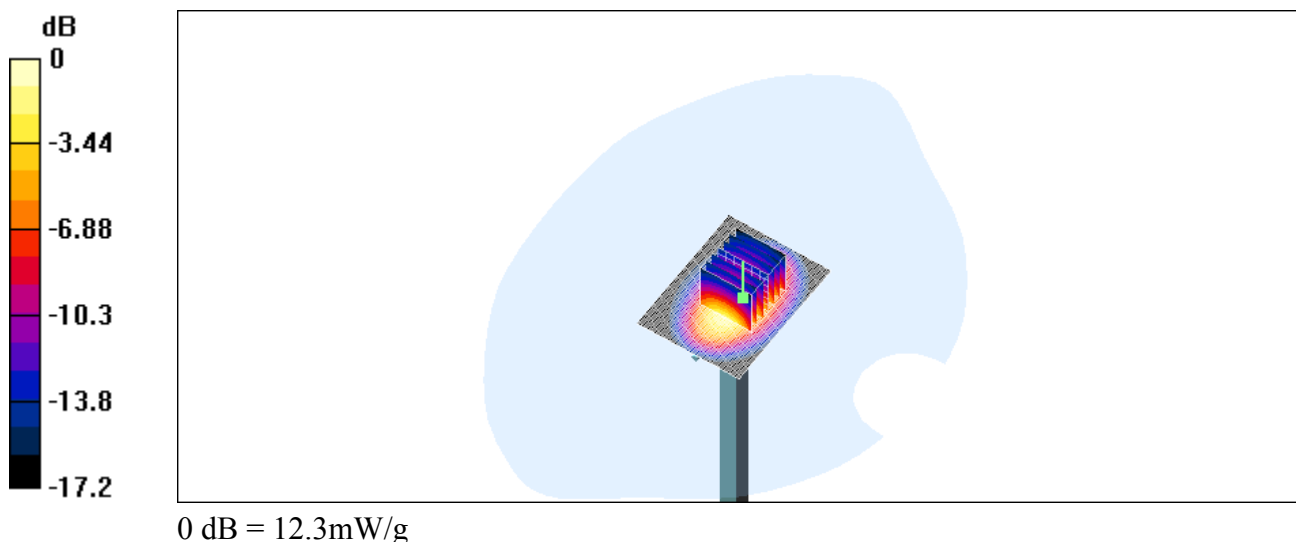
**Dipol 1900 (250mW)/Zoom Scan (7x7x7)/Cube 0:** Measurement grid: dx=5mm, dy=5mm, dz=5mm

Reference Value = 90.7 V/m; Power Drift = -0.1 dB

Peak SAR (extrapolated) = 18.6 W/kg

**SAR(1 g) = 10.8 mW/g; SAR(10 g) = 5.66 mW/g**

Maximum value of SAR (measured) = 12.3 mW/g



Test Laboratory: ELECTRONIC TECHNOLOGY SYSTEMS DR. GENZ GMBH

### right\_ch0\_cheek

**DUT: KIRK telecomA/S; Type: 1.9GHz Communication System (portable part); Serial: PP5N 1G9**

Communication System: 1.9 GHz DECT; Frequency: 1908 MHz; Duty Cycle: 1:12.3

Medium: Head 1900 MHz Medium parameters used:  $f = 1908 \text{ MHz}$ ;  $\sigma = 1.43 \text{ mho/m}$ ;  $\epsilon_r = 39.8$ ;  $\rho = 1000 \text{ kg/m}^3$

Phantom section: Right Section

DASY4 Configuration:

- Probe: ET3DV6 - SN1711; ConvF(5.2, 5.2, 5.2); Calibrated: 12/16/2003
- Sensor-Surface: 4mm (Mechanical And Optical Surface Detection)
- Electronics: DAE3 Sn522; Calibrated: 9/11/2002
- Phantom: SAM 12; Type: TP-1217; Serial: QD000P40CA
- Measurement SW: DASY4, V4.4 Build 3; Postprocessing SW: SEMCAD, V1.8 Build 130

**PP5N/Area Scan (71x131x1):** Measurement grid:  $dx=10\text{mm}$ ,  $dy=10\text{mm}$

Maximum value of SAR (interpolated) = 0.039 mW/g

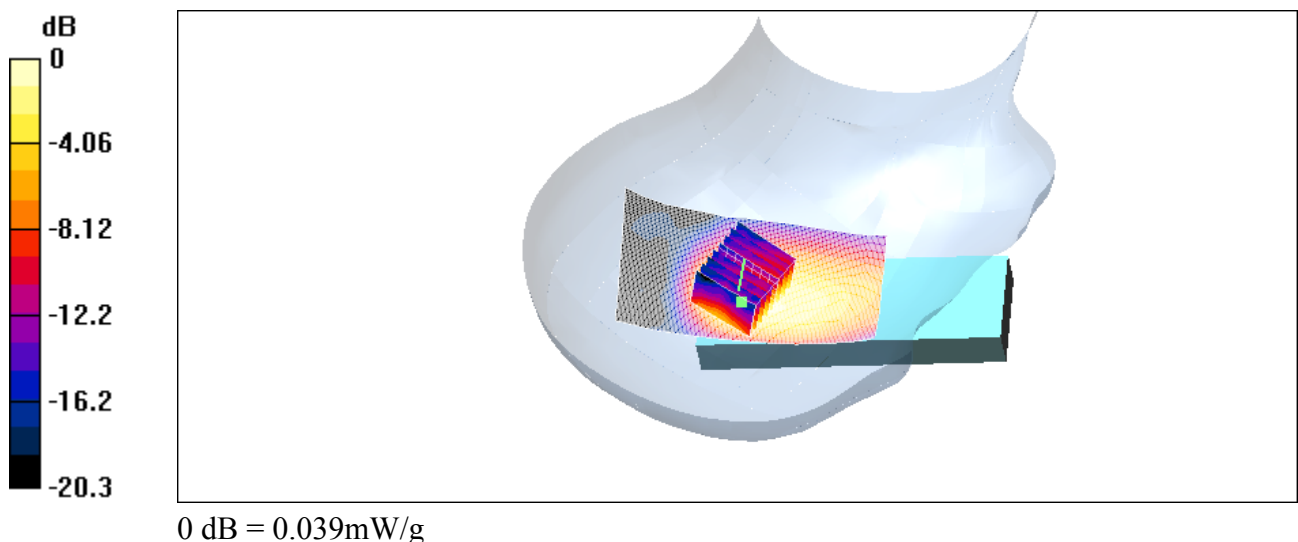
**PP5N/Zoom Scan (8x8x7)/Cube 0:** Measurement grid:  $dx=5\text{mm}$ ,  $dy=5\text{mm}$ ,  $dz=5\text{mm}$

Reference Value = 5.17 V/m; Power Drift = 0.009 dB

Peak SAR (extrapolated) = 0.069 W/kg

**SAR(1 g) = 0.036 mW/g; SAR(10 g) = 0.020 mW/g**

Maximum value of SAR (measured) = 0.039 mW/g



Test Laboratory: ELECTRONIC TECHNOLOGY SYSTEMS DR. GENZ GMBH

## right\_ch2\_cheek

**DUT: KIRK telecomA/S; Type: 1.9GHz Communication System (portable part); Serial: PP5N 1G9**

Communication System: 1.9 GHz DECT; Frequency: 1905 MHz; Duty Cycle: 1:12.3

Medium: Head 1900 MHz Medium parameters used:  $f = 1905 \text{ MHz}$ ;  $\sigma = 1.42 \text{ mho/m}$ ;  $\epsilon_r = 39.8$ ;  $\rho = 1000 \text{ kg/m}^3$

Phantom section: Right Section

DASY4 Configuration:

- Probe: ET3DV6 - SN1711; ConvF(5.2, 5.2, 5.2); Calibrated: 12/16/2003
- Sensor-Surface: 4mm (Mechanical And Optical Surface Detection)
- Electronics: DAE3 Sn522; Calibrated: 9/11/2002
- Phantom: SAM 12; Type: TP-1217; Serial: QD000P40CA
- Measurement SW: DASY4, V4.4 Build 3; Postprocessing SW: SEMCAD, V1.8 Build 130

**PP5N/Area Scan (71x131x1):** Measurement grid:  $dx=10\text{mm}$ ,  $dy=10\text{mm}$

Maximum value of SAR (interpolated) = 0.039 mW/g

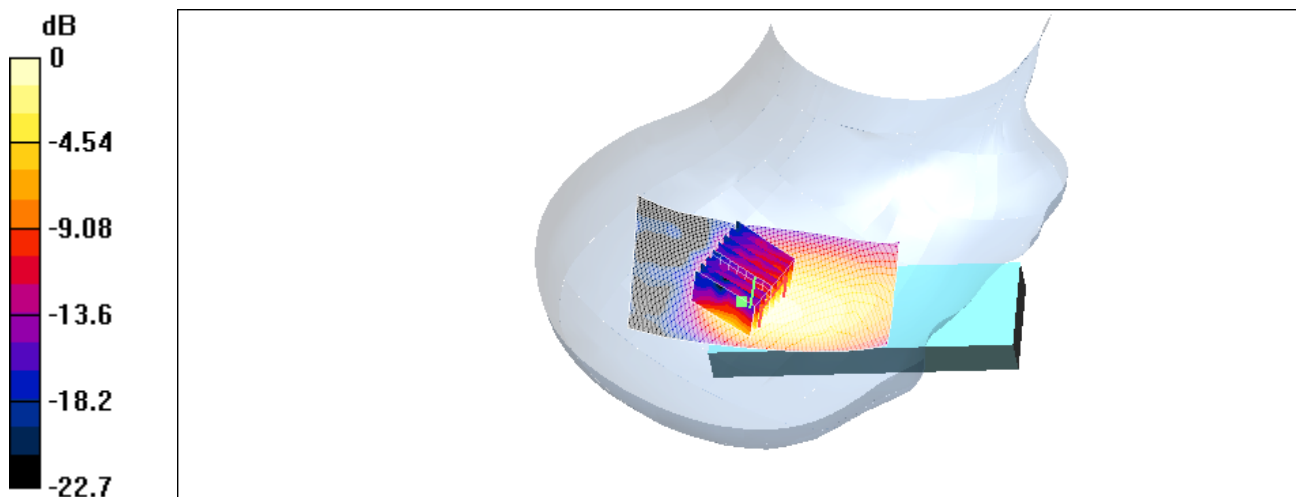
**PP5N/Zoom Scan (8x8x7)/Cube 0:** Measurement grid:  $dx=5\text{mm}$ ,  $dy=5\text{mm}$ ,  $dz=5\text{mm}$

Reference Value = 5.21 V/m; Power Drift = 0.0 dB

Peak SAR (extrapolated) = 0.067 W/kg

**SAR(1 g) = 0.036 mW/g; SAR(10 g) = 0.020 mW/g**

Maximum value of SAR (measured) = 0.039 mW/g



0 dB = 0.039mW/g

Test Laboratory: ELECTRONIC TECHNOLOGY SYSTEMS DR. GENZ GMBH

### right\_ch2\_tilted

**DUT: KIRK telecomA/S; Type: 1.9GHz Communication System (portable part); Serial: PP5N 1G9**

Communication System: 1.9 GHz DECT; Frequency: 1905 MHz; Duty Cycle: 1:12.3

Medium: Head 1900 MHz Medium parameters used (interpolated):  $f = 1905$  MHz;  $\sigma = 1.42$  mho/m;

$\epsilon_r = 39.8$ ;  $\rho = 1000$  kg/m<sup>3</sup>

Phantom section: Right Section

DASY4 Configuration:

- Probe: ET3DV6 - SN1711; ConvF(5.2, 5.2, 5.2); Calibrated: 12/16/2003
- Sensor-Surface: 4mm (Mechanical And Optical Surface Detection)
- Electronics: DAE3 Sn522; Calibrated: 9/11/2002
- Phantom: SAM 12; Type: TP-1217; Serial: QD000P40CA
- Measurement SW: DASY4, V4.4 Build 3; Postprocessing SW: SEMCAD, V1.8 Build 130

**PP5N/Area Scan (71x131x1):** Measurement grid: dx=10mm, dy=10mm

Maximum value of SAR (interpolated) = 0.033 mW/g

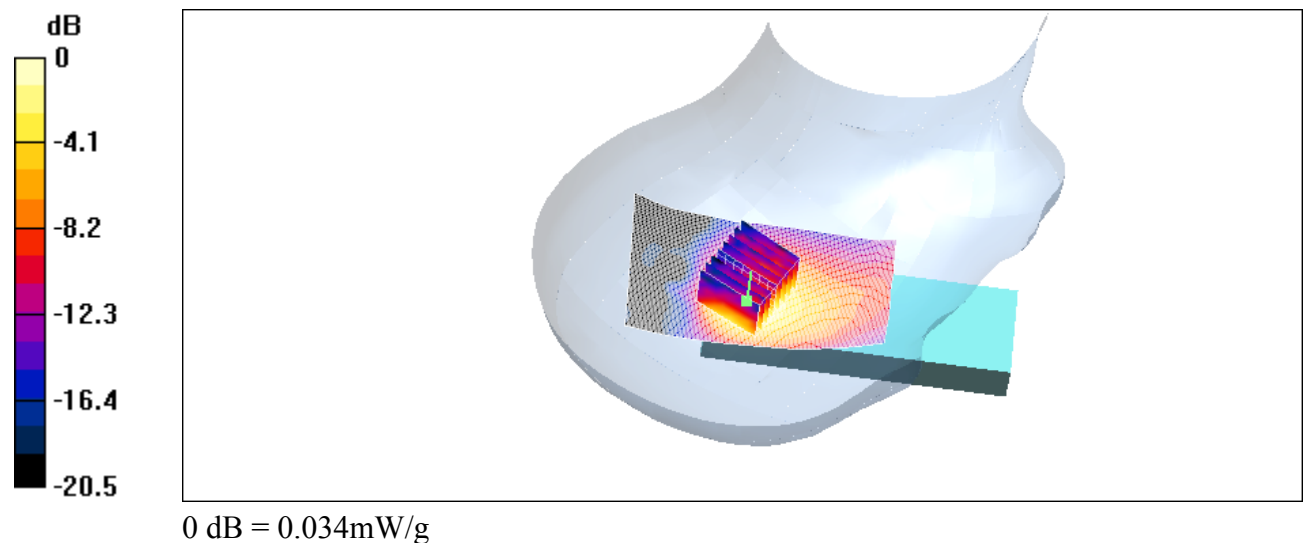
**PP5N/Zoom Scan (8x8x7)/Cube 0:** Measurement grid: dx=5mm, dy=5mm, dz=5mm

Reference Value = 4.79 V/m; Power Drift = -0.0 dB

Peak SAR (extrapolated) = 0.066 W/kg

**SAR(1 g) = 0.031 mW/g; SAR(10 g) = 0.017 mW/g**

Maximum value of SAR (measured) = 0.034 mW/g



Test Laboratory: ELECTRONIC TECHNOLOGY SYSTEMS DR. GENZ GMBH

### right\_ch4\_cheek

**DUT: KIRK telecomA/S; Type: 1.9GHz Communication System (portable part); Serial: PP5N 1G9**

Communication System: 1.9 GHz DECT; Frequency: 1901 MHz; Duty Cycle: 1:12.3

Medium: Head 1900 MHz Medium parameters used:  $f = 1901 \text{ MHz}$ ;  $\sigma = 1.42 \text{ mho/m}$ ;  $\epsilon_r = 39.9$ ;  $\rho = 1000 \text{ kg/m}^3$

Phantom section: Right Section

DASY4 Configuration:

- Probe: ET3DV6 - SN1711; ConvF(5.2, 5.2, 5.2); Calibrated: 12/16/2003
- Sensor-Surface: 4mm (Mechanical And Optical Surface Detection)
- Electronics: DAE3 Sn522; Calibrated: 9/11/2002
- Phantom: SAM 12; Type: TP-1217; Serial: QD000P40CA
- Measurement SW: DASY4, V4.4 Build 3; Postprocessing SW: SEMCAD, V1.8 Build 130

**PP5N/Area Scan (71x131x1):** Measurement grid:  $dx=10\text{mm}$ ,  $dy=10\text{mm}$

Maximum value of SAR (interpolated) = 0.039 mW/g

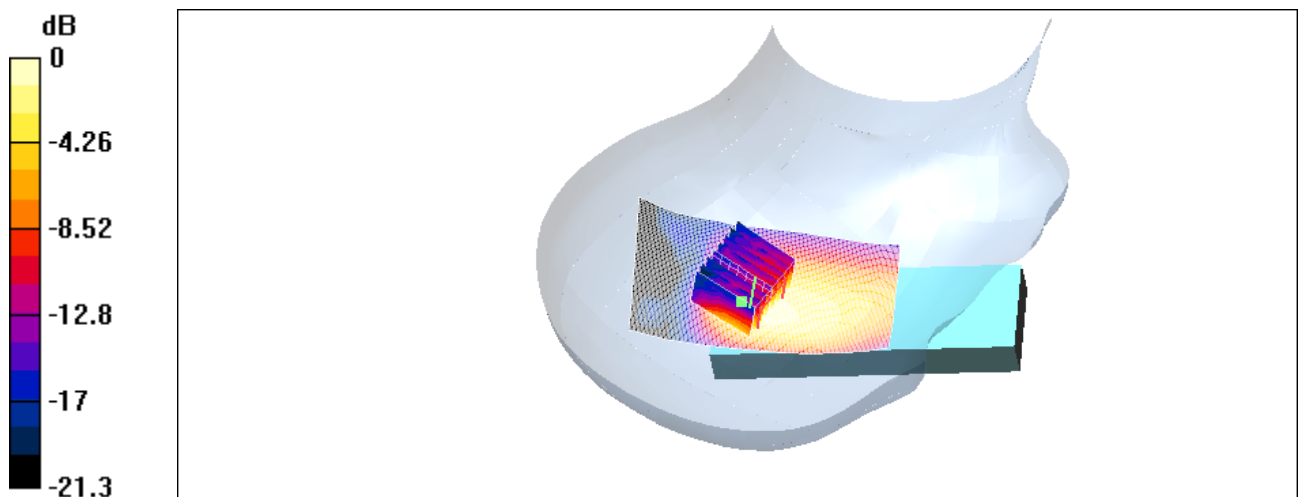
**PP5N/Zoom Scan (8x8x7)/Cube 0:** Measurement grid:  $dx=5\text{mm}$ ,  $dy=5\text{mm}$ ,  $dz=5\text{mm}$

Reference Value = 5.12 V/m; Power Drift = 0.0 dB

Peak SAR (extrapolated) = 0.068 W/kg

**SAR(1 g) = 0.036 mW/g; SAR(10 g) = 0.020 mW/g**

Maximum value of SAR (measured) = 0.039 mW/g



0 dB = 0.039mW/g

Test Laboratory: ELECTRONIC TECHNOLOGY SYSTEMS DR. GENZ GMBH

## left\_ch2\_cheek

**DUT: KIRK telecomA/S; Type: 1.9GHz Communication System (portable part); Serial: PP5N 1G9**

Communication System: 1.9 GHz DECT; Frequency: 1905 MHz; Duty Cycle: 1:12.3

Medium: Head 1900 MHz Medium parameters used (interpolated):  $f = 1905$  MHz;  $\sigma = 1.42$  mho/m;

$\epsilon_r = 39.8$ ;  $\rho = 1000$  kg/m<sup>3</sup>

Phantom section: Left Section

DASY4 Configuration:

- Probe: ET3DV6 - SN1711; ConvF(5.2, 5.2, 5.2); Calibrated: 12/16/2003
- Sensor-Surface: 4mm (Mechanical And Optical Surface Detection)
- Electronics: DAE3 Sn522; Calibrated: 9/11/2002
- Phantom: SAM 12; Type: TP-1217; Serial: QD000P40CA
- Measurement SW: DASY4, V4.4 Build 3; Postprocessing SW: SEMCAD, V1.8 Build 130

**PP5N/Area Scan (71x131x1):** Measurement grid: dx=10mm, dy=10mm

Maximum value of SAR (interpolated) = 0.039 mW/g

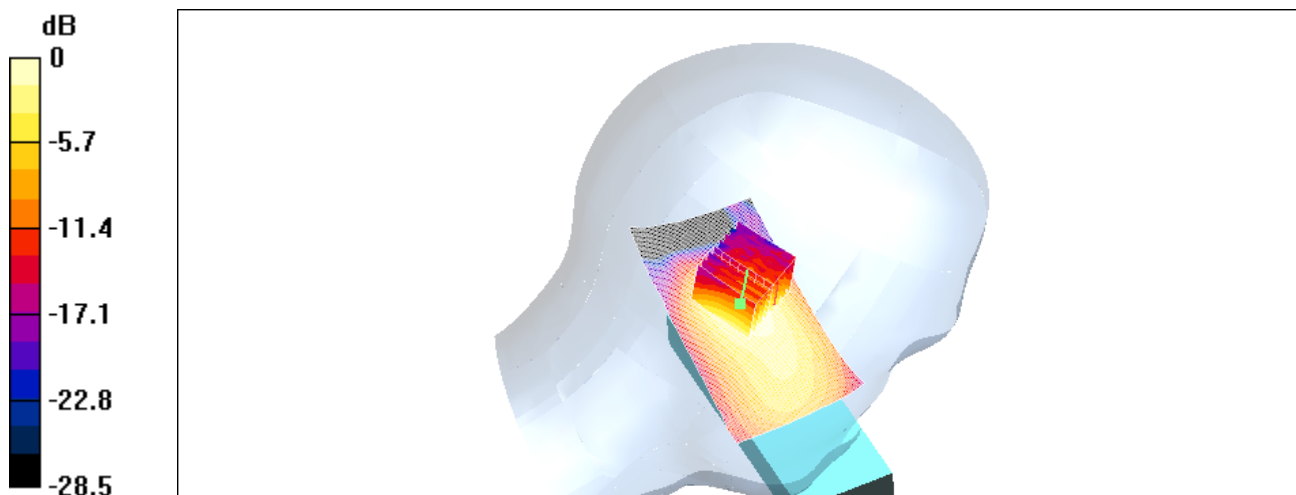
**PP5N/Zoom Scan (8x8x7)/Cube 0:** Measurement grid: dx=5mm, dy=5mm, dz=5mm

Reference Value = 5.41 V/m; Power Drift = 0.1 dB

Peak SAR (extrapolated) = 0.064 W/kg

**SAR(1 g) = 0.035 mW/g; SAR(10 g) = 0.020 mW/g**

Maximum value of SAR (measured) = 0.039 mW/g



0 dB = 0.039mW/g



Test Laboratory: ELECTRONIC TECHNOLOGY SYSTEMS DR. GENZ GMBH

## left\_ch2\_tilted

**DUT: KIRK telecomA/S; Type: 1.9GHz Communication System (portable part); Serial: PP5N 1G9**

Communication System: 1.9 GHz DECT; Frequency: 1905 MHz; Duty Cycle: 1:12.3

Medium: Head 1900 MHz Medium parameters used (interpolated):  $f = 1905$  MHz;  $\sigma = 1.42$  mho/m;

$\epsilon_r = 39.8$ ;  $\rho = 1000$  kg/m<sup>3</sup>

Phantom section: Left Section

DASY4 Configuration:

- Probe: ET3DV6 - SN1711; ConvF(5.2, 5.2, 5.2); Calibrated: 12/16/2003
- Sensor-Surface: 4mm (Mechanical And Optical Surface Detection)
- Electronics: DAE3 Sn522; Calibrated: 9/11/2002
- Phantom: SAM 12; Type: TP-1217; Serial: QD000P40CA
- Measurement SW: DASY4, V4.4 Build 3; Postprocessing SW: SEMCAD, V1.8 Build 130

**PP5N/Area Scan (71x131x1):** Measurement grid: dx=10mm, dy=10mm

Maximum value of SAR (interpolated) = 0.030 mW/g

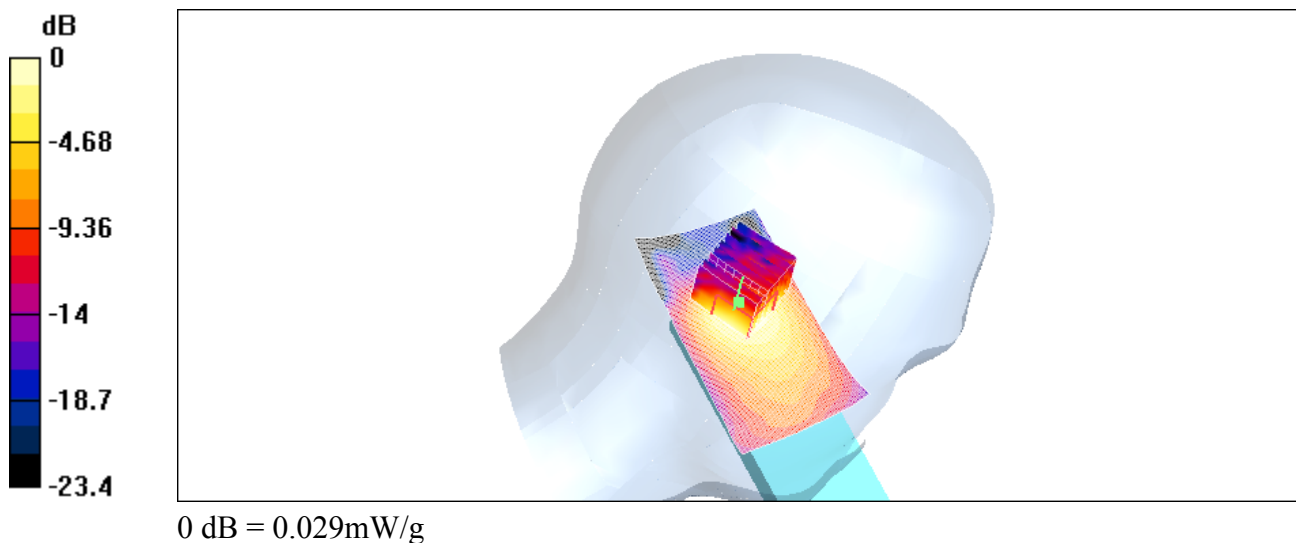
**PP5N/Zoom Scan (8x8x7)/Cube 0:** Measurement grid: dx=5mm, dy=5mm, dz=5mm

Reference Value = 4.82 V/m; Power Drift = 0.007 dB

Peak SAR (extrapolated) = 0.055 W/kg

**SAR(1 g) = 0.027 mW/g; SAR(10 g) = 0.015 mW/g**

Maximum value of SAR (measured) = 0.029 mW/g



Test Laboratory: ELECTRONIC TECHNOLOGY SYSTEMS DR. GENZ GMBH

### flat\_ch2\_front\_15mm

**DUT: KIRK telecomA/S; Type: 1.9GHz Communication System (portable part); Serial: PP5N 1G9**

Communication System: 1.9 GHz DECT; Frequency: 1905 MHz; Duty Cycle: 1:12.3

Medium: Muscle 1900 MHz Medium parameters used:  $f = 1905 \text{ MHz}$ ;  $\sigma = 1.57 \text{ mho/m}$ ;  $\epsilon_r = 51.8$ ;  $\rho = 1000 \text{ kg/m}^3$

Phantom section: Flat Section

DASY4 Configuration:

- Probe: ET3DV6 - SN1711; ConvF(4.6, 4.6, 4.6); Calibrated: 12/16/2003
- Sensor-Surface: 4mm (Mechanical And Optical Surface Detection)
- Electronics: DAE3 Sn522; Calibrated: 9/11/2002
- Phantom: SAM 12; Type: TP-1217; Serial: QD000P40CA
- Measurement SW: DASY4, V4.4 Build 3; Postprocessing SW: SEMCAD, V1.8 Build 130

**PP5N/Area Scan (71x171x1):** Measurement grid:  $dx=10\text{mm}$ ,  $dy=10\text{mm}$

Maximum value of SAR (interpolated) = 0.00865 mW/g

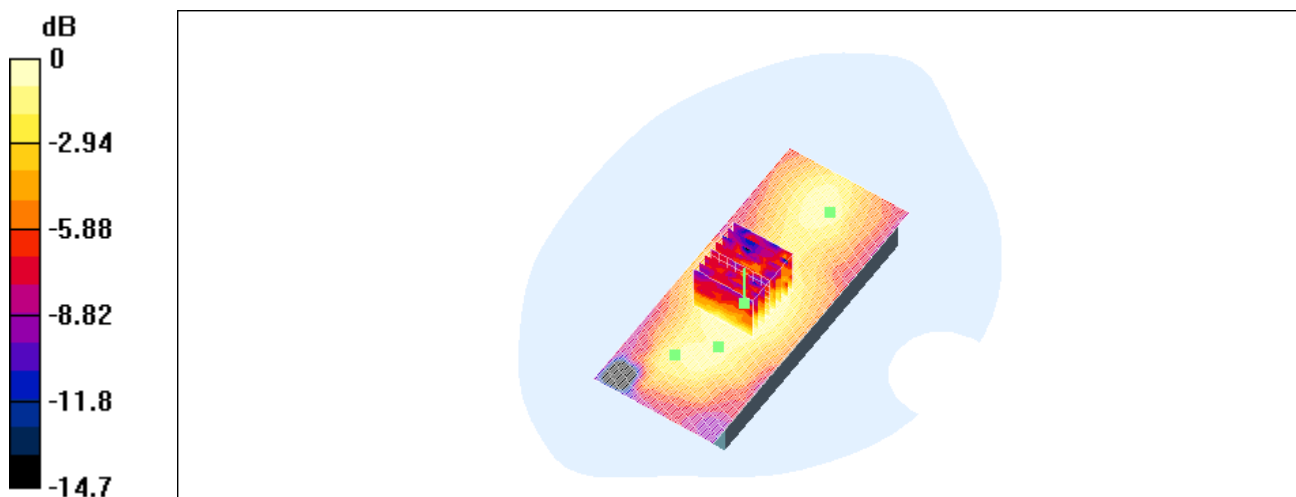
**PP5N/Zoom Scan (8x8x7)/Cube 0:** Measurement grid:  $dx=5\text{mm}$ ,  $dy=5\text{mm}$ ,  $dz=5\text{mm}$

Reference Value = 2.17 V/m; Power Drift = -0.1 dB

Peak SAR (extrapolated) = 0.012 W/kg

**SAR(1 g) = 0.00805 mW/g; SAR(10 g) = 0.00534 mW/g**

Maximum value of SAR (measured) = 0.00888 mW/g



0 dB = 0.00888mW/g

Test Laboratory: ELECTRONIC TECHNOLOGY SYSTEMS DR. GENZ GMBH

### flat\_ch2\_back\_15mm

**DUT: KIRK telecomA/S; Type: 1.9GHz Communication System (portable part); Serial: PP5N 1G9**

Communication System: 1.9 GHz DECT; Frequency: 1905 MHz; Duty Cycle: 1:12.3

Medium: Muscle 1900 MHz Medium parameters used:  $f = 1905 \text{ MHz}$ ;  $\sigma = 1.57 \text{ mho/m}$ ;  $\epsilon_r = 51.8$ ;  $\rho = 1000 \text{ kg/m}^3$

Phantom section: Flat Section

DASY4 Configuration:

- Probe: ET3DV6 - SN1711; ConvF(4.6, 4.6, 4.6); Calibrated: 12/16/2003
- Sensor-Surface: 4mm (Mechanical And Optical Surface Detection)
- Electronics: DAE3 Sn522; Calibrated: 9/11/2002
- Phantom: SAM 12; Type: TP-1217; Serial: QD000P40CA
- Measurement SW: DASY4, V4.4 Build 3; Postprocessing SW: SEMCAD, V1.8 Build 130

**PP5N/Area Scan (71x171x1):** Measurement grid:  $dx=10\text{mm}$ ,  $dy=10\text{mm}$

Maximum value of SAR (interpolated) = 0.00748 mW/g

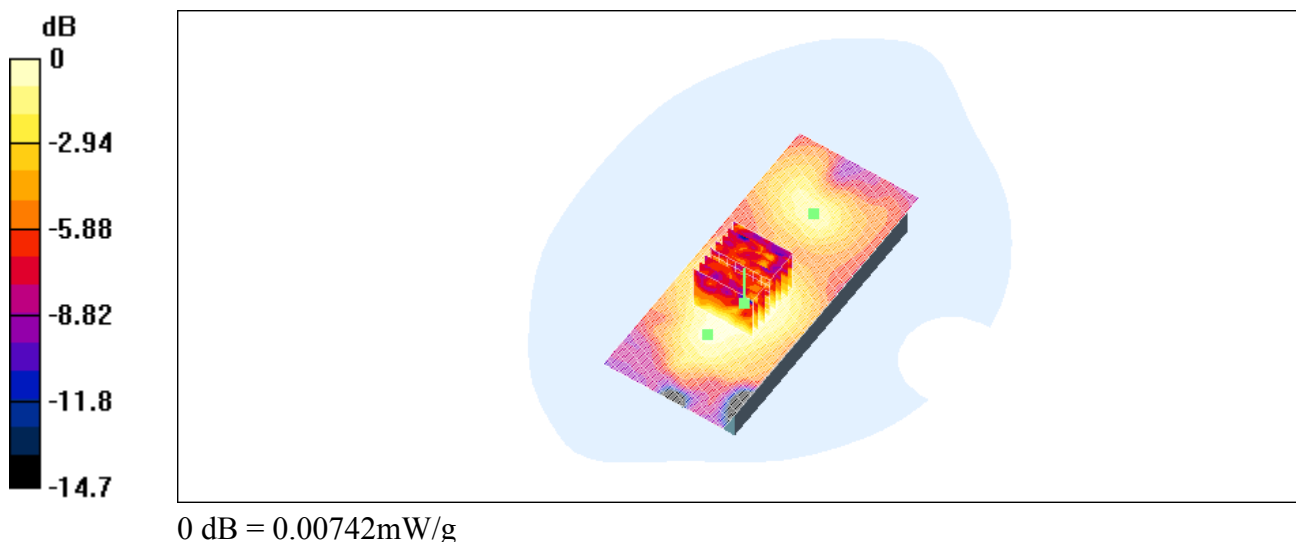
**PP5N/Zoom Scan (8x8x7)/Cube 0:** Measurement grid:  $dx=5\text{mm}$ ,  $dy=5\text{mm}$ ,  $dz=5\text{mm}$

Reference Value = 1.33 V/m; Power Drift = 0.1 dB

Peak SAR (extrapolated) = 0.012 W/kg

**SAR(1 g) = 0.00697 mW/g; SAR(10 g) = 0.00481 mW/g**

Maximum value of SAR (measured) = 0.00742 mW/g



Test Laboratory: ELECTRONIC TECHNOLOGY SYSTEMS DR. GENZ GMBH

### flat\_ch2\_front\_0mm

**DUT: KIRK telecomA/S; Type: 1.9GHz Communication System (portable part); Serial: PP5N 1G9**

Communication System: 1.9 GHz DECT; Frequency: 1905 MHz; Duty Cycle: 1:12.3

Medium: Muscle 1900 MHz Medium parameters used:  $f = 1905 \text{ MHz}$ ;  $\sigma = 1.57 \text{ mho/m}$ ;  $\epsilon_r = 51.8$ ;  $\rho = 1000 \text{ kg/m}^3$

Phantom section: Flat Section

DASY4 Configuration:

- Probe: ET3DV6 - SN1711; ConvF(4.6, 4.6, 4.6); Calibrated: 12/16/2003
- Sensor-Surface: 4mm (Mechanical And Optical Surface Detection)
- Electronics: DAE3 Sn522; Calibrated: 9/11/2002
- Phantom: SAM 12; Type: TP-1217; Serial: QD000P40CA
- Measurement SW: DASY4, V4.4 Build 3; Postprocessing SW: SEMCAD, V1.8 Build 130

**PP5N/Area Scan (71x171x1):** Measurement grid:  $dx=10\text{mm}$ ,  $dy=10\text{mm}$

Maximum value of SAR (interpolated) = 0.040 mW/g

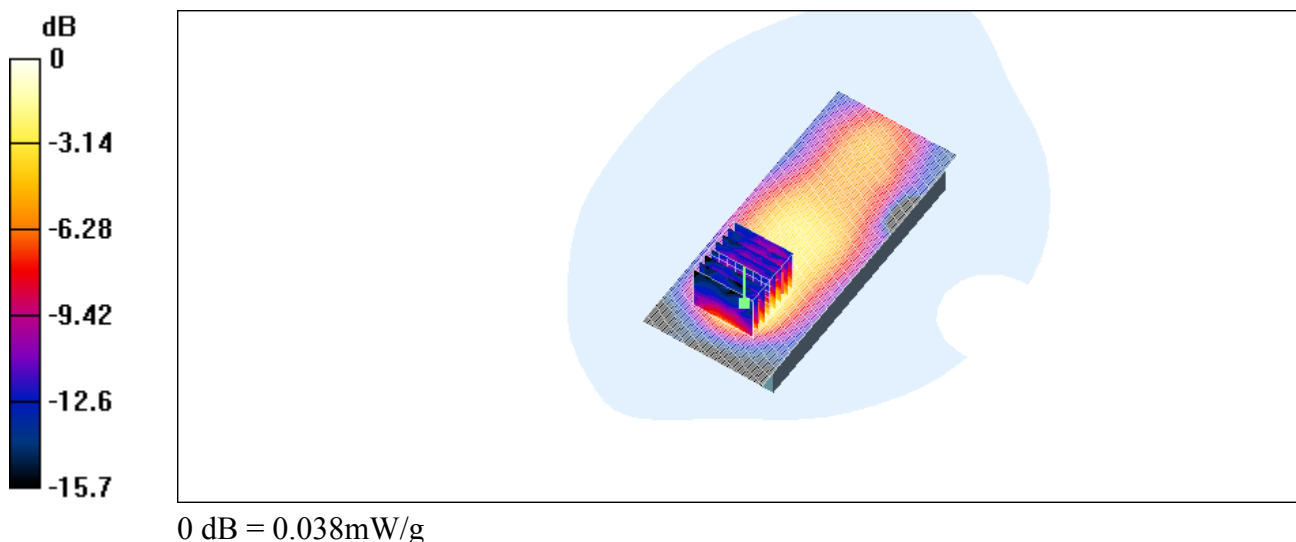
**PP5N/Zoom Scan (8x8x7)/Cube 0:** Measurement grid:  $dx=5\text{mm}$ ,  $dy=5\text{mm}$ ,  $dz=5\text{mm}$

Reference Value = 3.28 V/m; Power Drift = 0.0 dB

Peak SAR (extrapolated) = 0.067 W/kg

**SAR(1 g) = 0.035 mW/g; SAR(10 g) = 0.019 mW/g**

Maximum value of SAR (measured) = 0.038 mW/g





## Appendix C

### Pictures

## Appendix

### C. Pictures





