

Outdoor Enterprise Access Point WM-OAP8251AG

Quick Start Guide

V1.0

For more information on this and other Winmate products, please visit our website at:

www.winmate.com

FCC Statement

Federal Communication Commission Interference Statement



This equipment has been tested and found to comply with the limits for a Class A digital device, pursuant to part 15 of the FCC Rules. These limits are designed to provide reasonable protection against harmful interference when the equipment is operated in a commercial environment. This equipment generates, uses, and can radiate radio frequency energy and, if not installed and used in accordance with the instruction manual, may cause harmful interference to radio communications. Operation of this equipment in a residential area is likely to cause harmful interference in which case the user will be required to correct the interference at his own expense.

FCC Caution: Any changes or modifications not expressly approved by the party responsible for compliance could void the user's authority to operate this equipment.

This device complies with Part 15 of the FCC Rules. Operation is subject to the following two conditions: (1) This device may not cause harmful interference, and (2) this device must accept any interference received, including interference that may cause undesired operation.

For product available in the USA/Canada market, only channel 1~11 can be operated. Selection of other channels is not possible.

This device and its antennas (s) must not be co-located or operating in conjunction with any other antenna or transmitter except in accordance with FCC multi-transmitter product procedures.

IMPORTANT NOTE:

FCC Radiation Exposure Statement

This equipment complies with FCC radiation exposure limits set forth for an uncontrolled environment. This equipment should be installed and operated with minimum distance **25** cm between the radiator and your body. Professional installation is required.

Contents

GETTING STARTED	1
Features	1
Package Contents	2
Minimum Requirements	2
Product Overview	3
INSTALLATION	5
Connecting the Access Point	5
Managed Access Point with Wireless Management Switch	5
Stand-alone Access Point Installation	6
Mounting	7
Wall Mounting the AP	7
Pole Mounting the AP	8
GETTING STARTED	10
Configuring Your Access Point	10
Default Settings	10
Web Configuration	10

GETTING STARTED

Congratulations on purchasing Winmate® Outdoor Enterprise Access Point.

The WM-OAP8251AG is an enterprise class, outdoor dual radio 2.4G (11n) and 5G (11ac Wave2) concurrent 4x4 MU-MIMO access point with built-in internal antenna. The device has two Ethernet ports and one of it is a PSE port that supplies power to the remote unit. With certified IP67 protection, Winmate® Outdoor Enterprise Access Point is designed to deliver high reliability under harsh outdoor environment.

Features

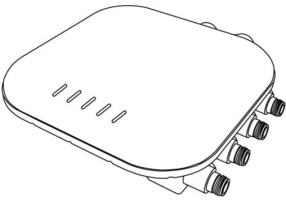


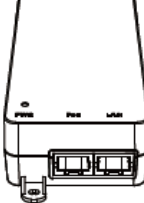
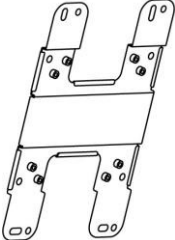
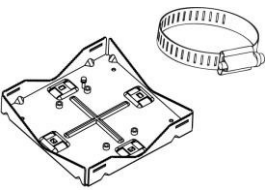
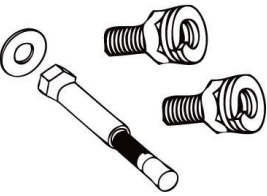
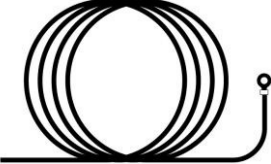

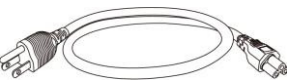
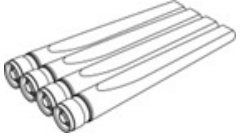
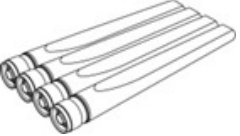
Wimate® Outdoor Enterprise Access Point WM-OAP8251AG offers the following features:

- Main Chip:
 - Processor: Qualcomm QCA8068B, dual core, 1.4GHz
 - Radios 4x4 dual band dual concurrent
 - Radio 1: QCA9990B 4x4 to support 2.4GHz
 - Radio 2: QCA9990B 4x4 to support 5GHz
 - Ethernet PHY: AR8035B*1 + AR8033B*1 (Industrial graded components)
- Available interface:
 - 2 x Gigabit Ethernet (RJ45)
 - 1 x Console (RJ45)
 - LEDs
 - Gore vent for pressure equalization
 - N-type connectors for external antenna model
- IP67 compliance enclosure design
- Ethernet surge protection support (4KV)
- OAP8251AG can be powered with 802.3at+ (60W) Power Source on the 1st LAN port (PD) and provide power to other device through the 2nd LAN port (PSE).
- Max power consumption is < 55W when operating as OAP8251AG and providing 802.3af power on 2nd LAN
- Pole mount and wall mount locking mechanism

Package Contents

Carefully remove the box and unpack your device. Please check if all the items listed below are inside your package. If any of these items are missing or damaged contact us immediately.

The factory shipment list:

			
Outdoor Enterprise Access Point WM-OAP8251AG	Quick Start Guide (Hardcopy)	User Manual EzMaster Software & User Manual	PoE Injector
			
Wall Mounting Kit	Pole Mounting Kit	Mounting Screws and Bolts	Ground Cable (Green) AWG10 180cm
			
Power Adapter	Power Cable	2.4GHz Detachable Antennas x 4	5GHz Detachable Antennas x 4

Minimum Requirements

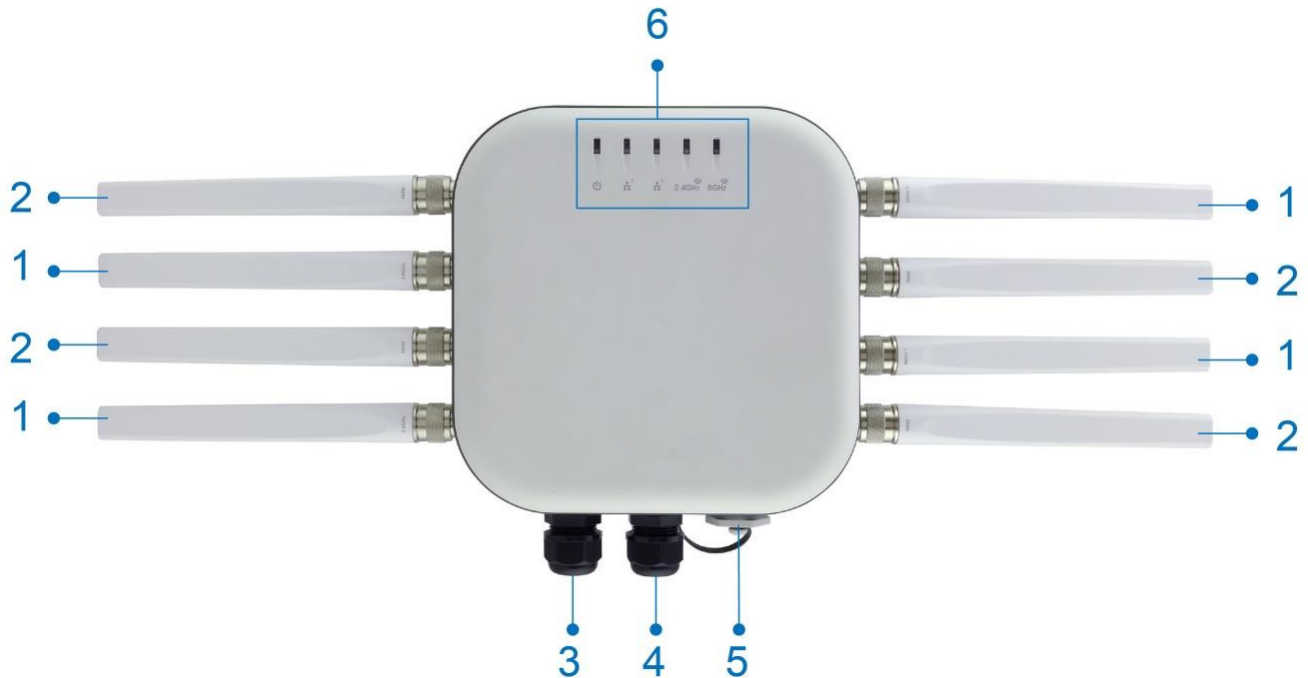
- **Broadband Internet Service**
(Cable or DSL Modem)
- **Internet Browser**
(Internet Explorer, Safari, Firefox, Chrome, Edge)

Product Overview

Unit dimensions (L x W x H): 210mm x 210mm x 51mm

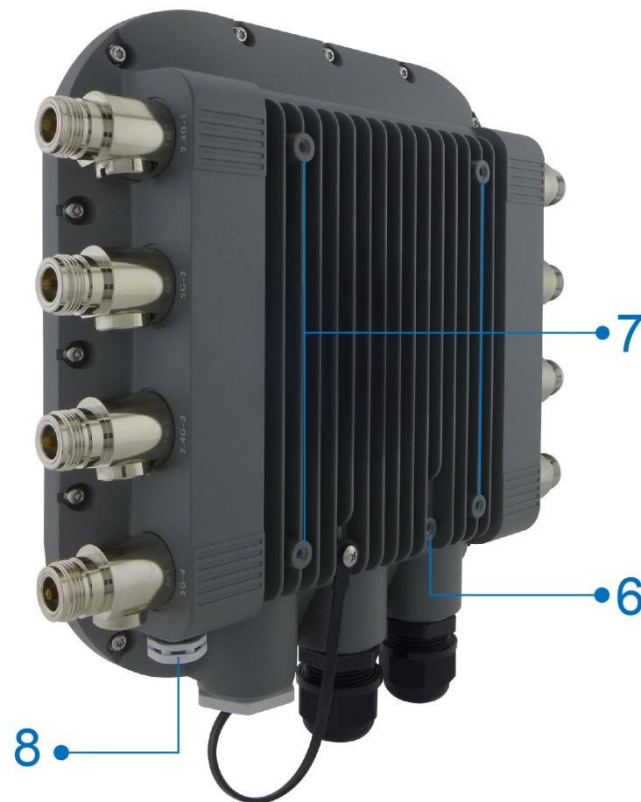
Weight: 1.5 kg

Front View



No.	Description
1	2.4 GHz Antennas: Detachable 5 dBi 2.4 GHz omni-directional
2	5 GHz Antennas : Detachable 7 dBi 5 GHz omni-directional
3	LAN Port 1 (802.3at PoE Input): Ethernet port for RJ-45 cable.
4	LAN Port 2 (802.3af PSE Output): Ethernet port for RJ-45 cable.
5	Console/ Reset: Console panel/ reset button.
6	LED Indicators: LED lights for Power, LAN Port 1, LAN Port 2, 2.4 GHz Connection and 5 GHz Connection.

Rear View



No.	Description
6	Ground
7	Mounting Holes: Using the provided mounting kits, the WM-OAP8251AG can be attached to a wall or pole.
8	Optional M12 Connector

INSTALLATION

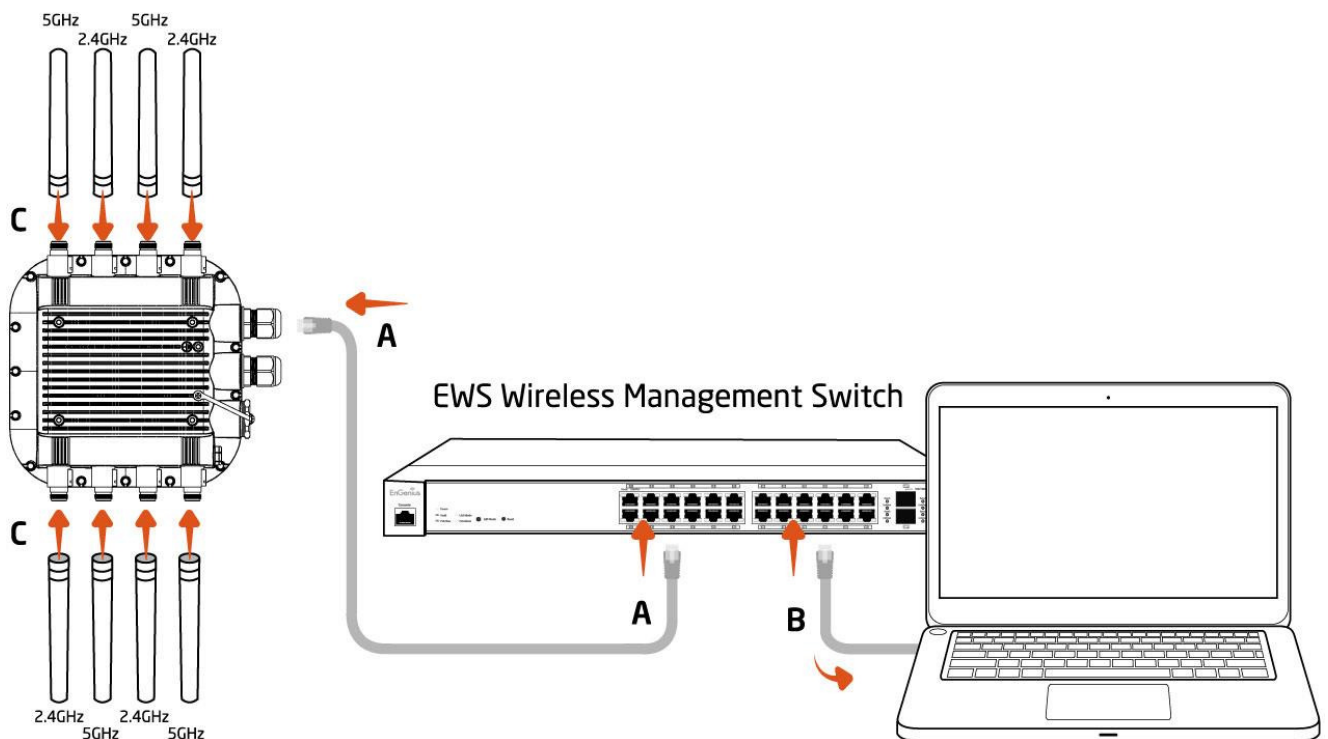
Connecting the Access Point

Managed Access Point with Wireless Management Switch

This diagram depicts the hardware configuration.

Follow the instructions below to establish the connection to the Access Point.

- A. Connect one end of the Ethernet Cable into the **main LAN Port (PoE)** of Managed Access Point and the other end to the **Ethernet Port** on the Wireless Management Switch.
- B. Connect another Ethernet Cable into an Ethernet Port on the front panel of the WM-OAP8251AG and the other end to the Ethernet Port on the computer.
- C. Screw the provided antennas to the device as shown on the illustration below.



IMPORTANT:

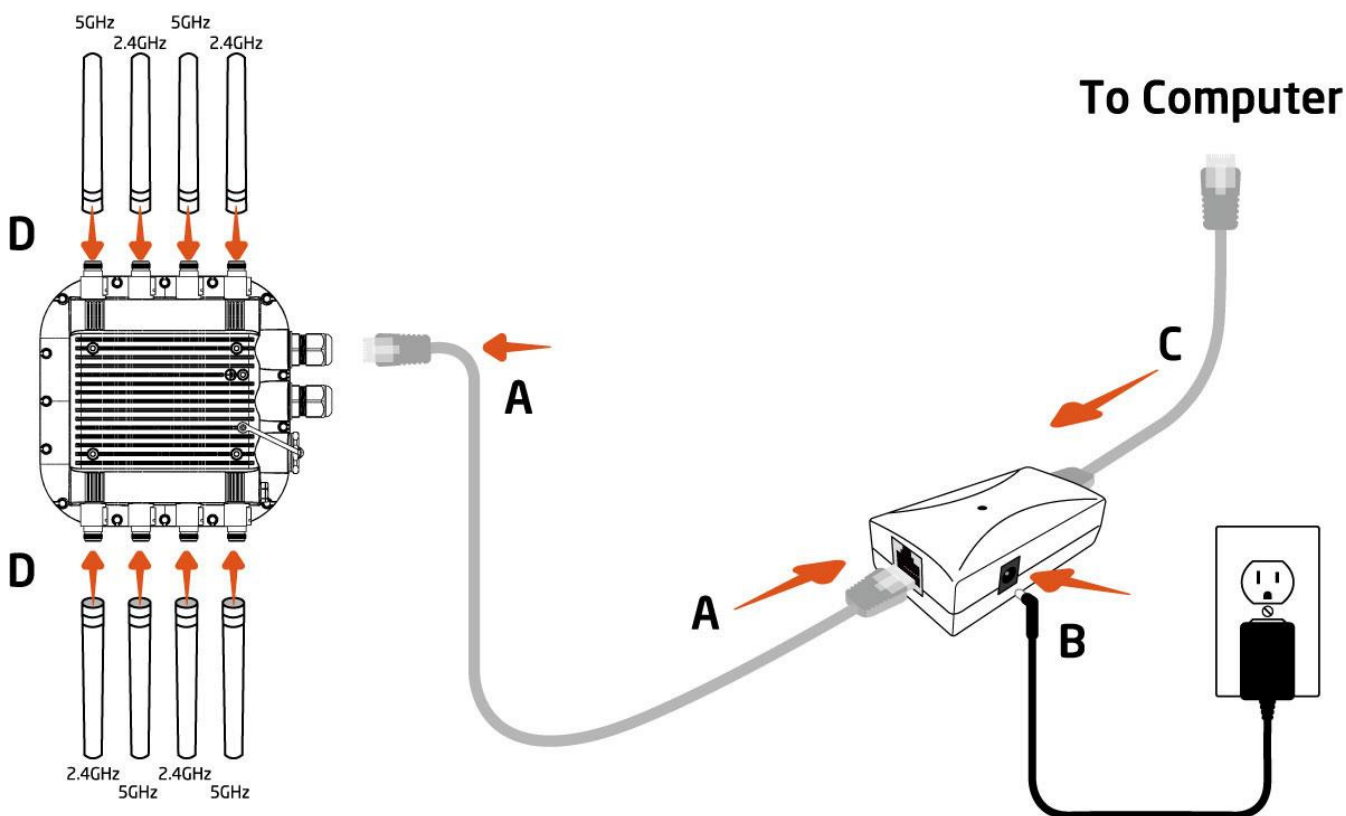
The Access Point supports both IEEE 802.3at PoE (Power over Ethernet) and the included power injector. You may use either one as the power source.

Do NOT use both at the same time.

Stand-alone Access Point Installation

Follow the instructions below to establish the connection to the Access Point.

- A.** Connect one end of the Ethernet Cable into the **main LAN Port (PoE)** of the Access Point and the other end to the **AP Ethernet Port**.
- B.** Connect the **Power Adapter** to the **DC-IN port** of the PoE injector and plug the other end into an electric outlet.
- C.** Connect the second Ethernet cable into the **LAN port** of the PoE injector and the other end to the Ethernet port on the computer.
- D.** Screw on the provided antennas to the device as shown on the illustration below.



IMPORTANT:

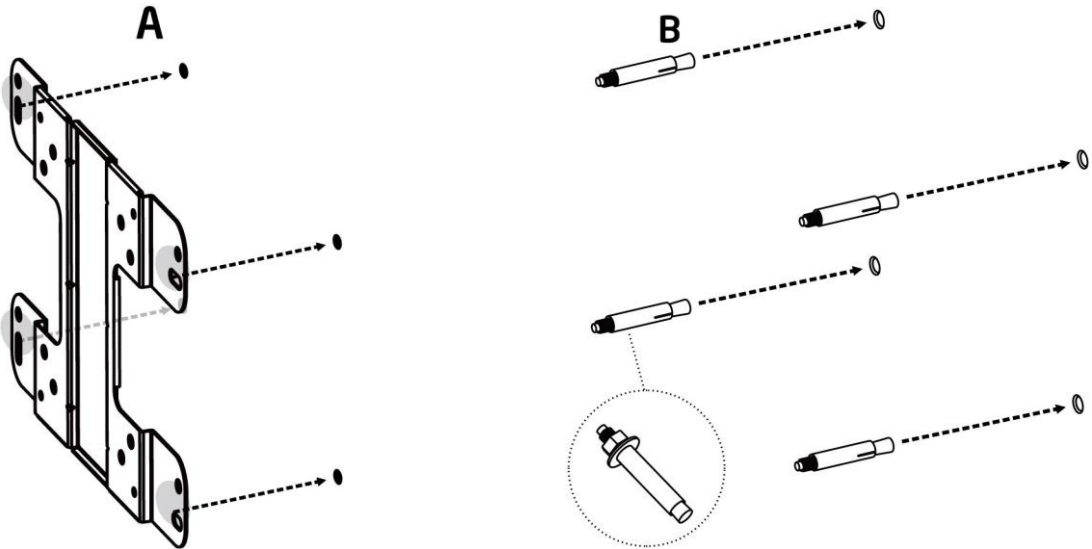
The Access Point supports both IEEE 802.3at PoE (Power over Ethernet) and the included power injector. You may use either one as the power source. **Do NOT use both at the same time.**

Mounting

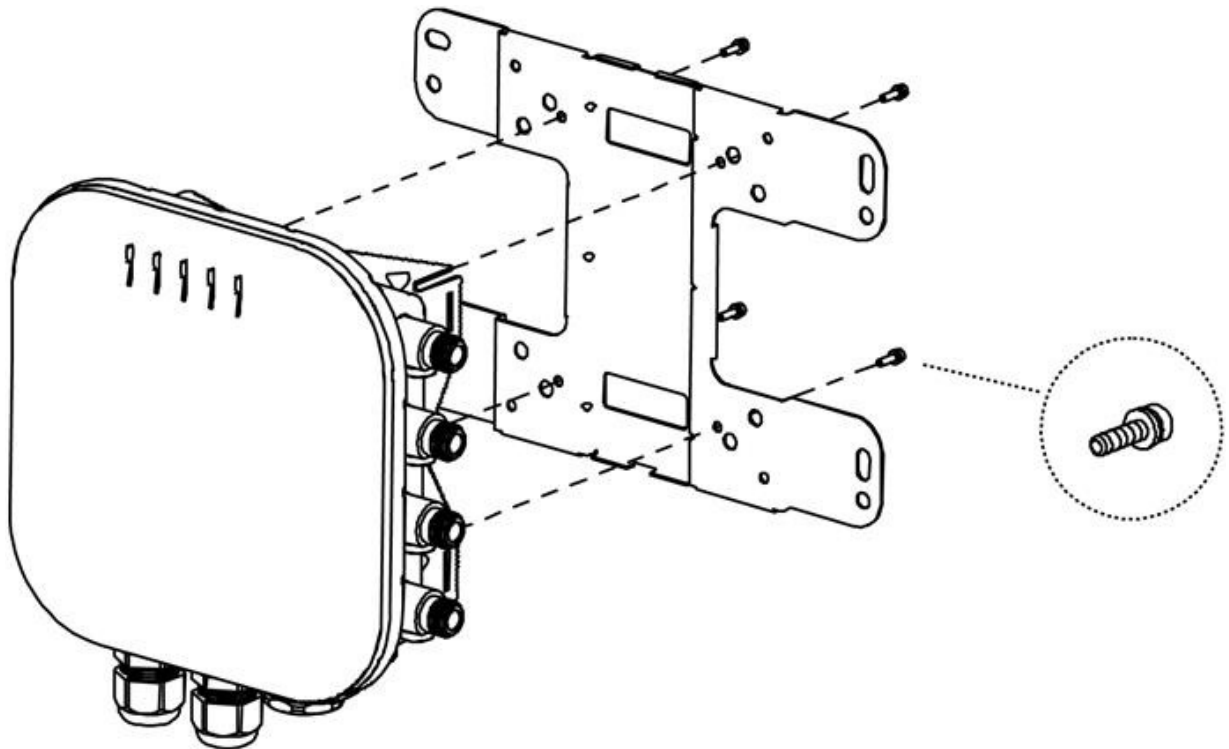
Wall Mounting the AP

To attach the WM-OAP8251AG to a wall using wall mounting kit:

- A. Mark the four locations of the mounting holes on the flat mounting surface.
- B. Drill a 37 mm deep 8 mm hole in the markings and hammer the bolts into the openings.



- C. Place the lock and flat washers on the four hex cap screws and drive the screws to attach the bracket to the back of the Access Point.

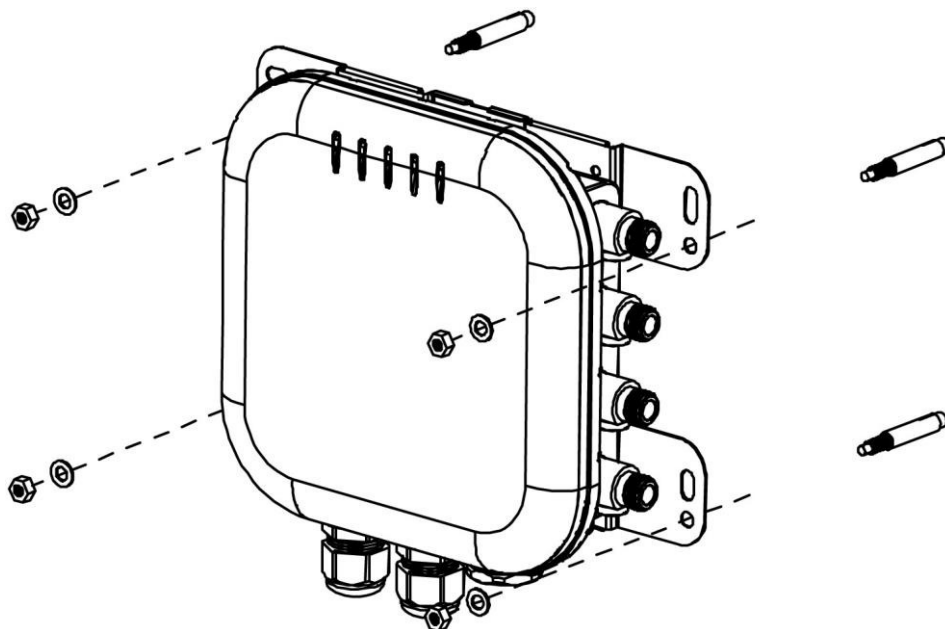


Pole Mounting the AP

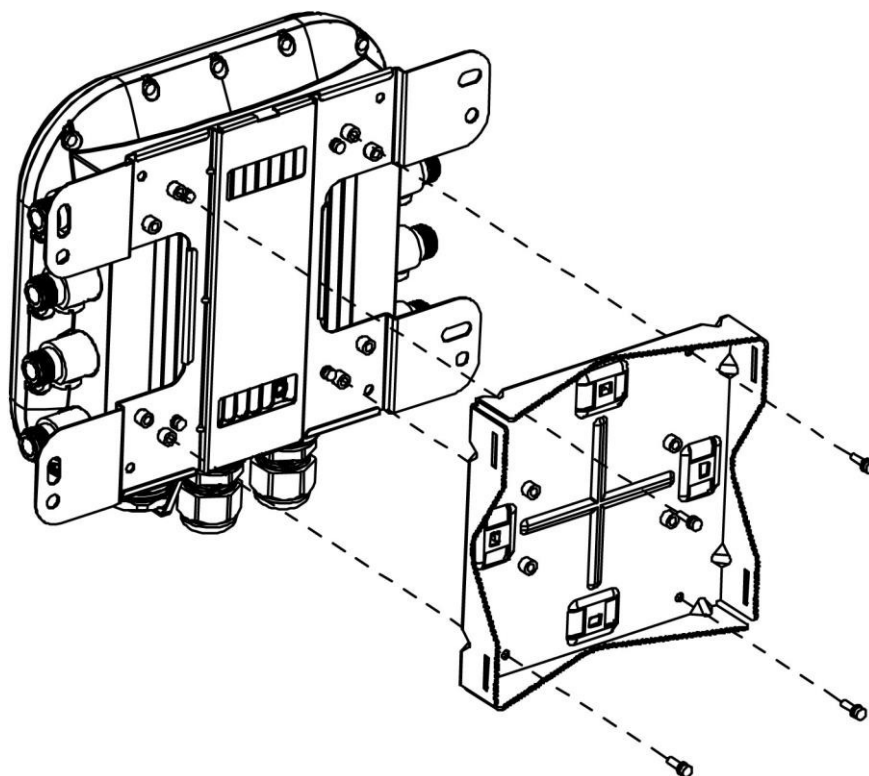
To attach the WM-OAP8251AG to a wall using pole mounting kit:

To attach the WM-OAP8251AG to a wall using provided pole mounting kit:

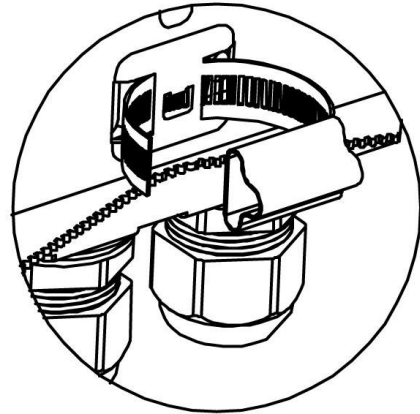
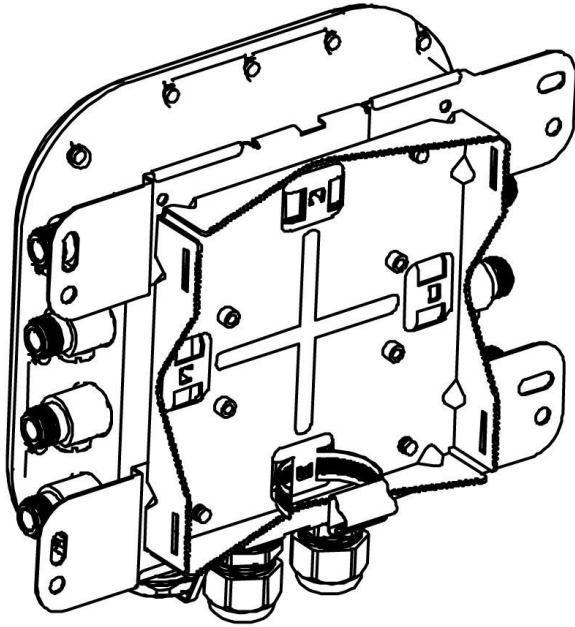
- A.** Attach the device onto the wall by tightening the bolt's flat washers and nuts to secure the mounting base to the mounting surface.



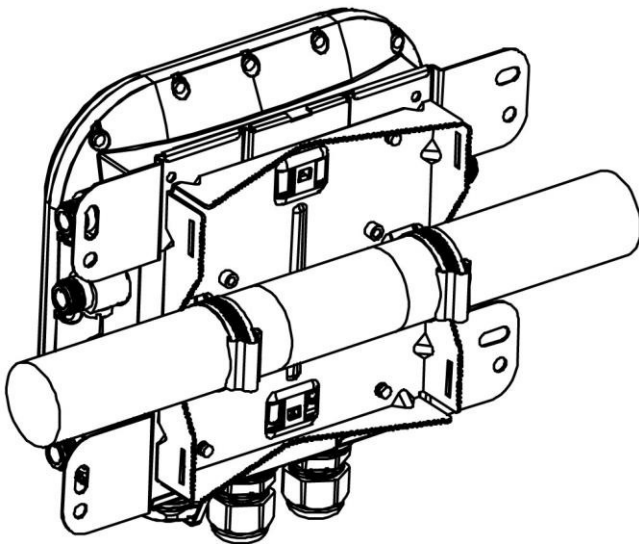
- B.** Drive the four round head screws to attach the Pole Mount Bracket to a Wall Mount bracket.



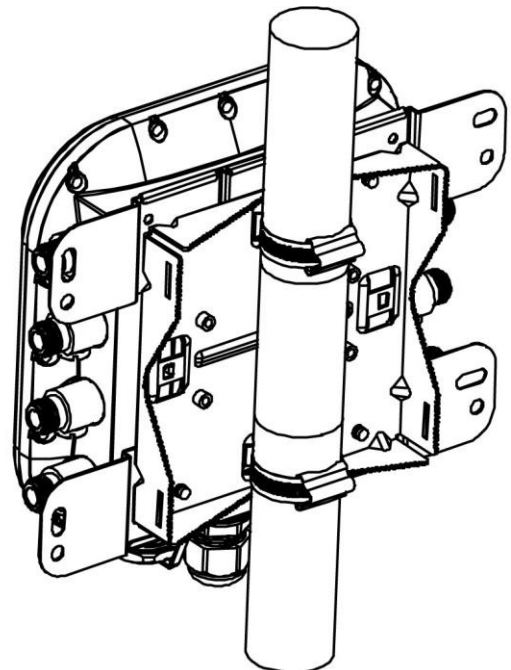
C. Thread the open end of the Pole Strap through the two tabs on the Pole Mount Bracket.



D. Lock and tighten the Pole Strap to secure the Pole Mount Bracket to the pole.



Horizontal Placement



Vertical Placement

GETTING STARTED

Configuring Your Access Point

Before you begin, the device must be able to communicate with the ezMaster server for ezMaster to manage an AP or switch. Make sure that the ezMaster server, EWS AP and EWS switch can all be reachable via HTTP/HTTPS from outside your internal network.

For more information about ezMaster server settings, refer to the ezMaster Quick Start Guide included in the package.

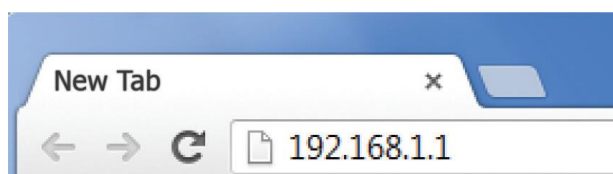
Default Settings

Please use your Ethernet port or wireless network adapter to connect the Access Point.

IP Address	192.168.1.1
User name/ password	Admin/ admin

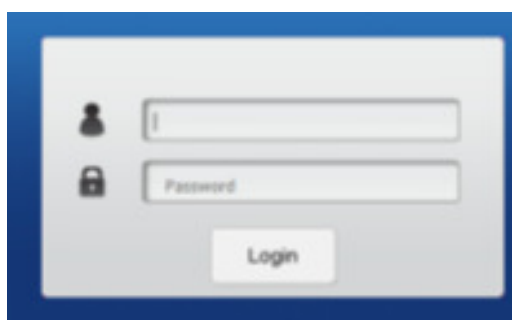
Web Configuration

- Open a web browser (Internet Explorer/Firefox/Safari/Chrome) and enter the IP Address <http://192.168.1.1>.



NOTE: If you have changed the default LAN IP Address of the Access Point, ensure you enter the correct IP Address.

- The default username and password are **admin**. Once you have entered the correct username and password, click the **Login** button to open the web-based configuration page.



- If successful, you will be logged in and see the WM-OAP8251AG User Menu.

The screenshot displays the web management interface for a Dual Radio Outdoor AP. The page title is "Dual Radio Outdoor AP , 3T3R , 450Mbps + 450Mbps". At the top right, there are buttons for "Changes : 0", "Reset", and "Logout".

The left sidebar contains a navigation menu with the following items: Overview, Device Status, Connections, Network, Basic, Wireless, Management, Advanced, Time Zone, WiFi Scheduler, Tools, System Manager, Account, Firmware, and Log.

The main content area is divided into two sections:

Device Information

Device Name	ENH900EXT
MAC Address	
- LAN	88 DC 96 06 3C 94
- Wireless LAN - 2.4GHz	88 DC 96 06 3C 96
- Wireless LAN - 5GHz	88 DC 96 06 3C 97
Country	Default
Current Local Time	Wed Sep 25 03:04:37 UTC 2013
Firmware Version	2.0.0
Management VLAN ID	4096

LAN Information - IPv4

IP Address	192.168.1.1
Subnet Mask	255.255.255.0
Gateway	192.168.1.1
Primary DNS	0.0.0.0
Secondary DNS	0.0.0.0
DHCP Client	Disable



Winmate Inc.

9F, No.111-6, Shing-De Rd., San-Chung District,
New Taipei City 24158, Taiwan, R.O.C

Tel: 886-2-8511-0288

Fax: 886-2-8511-0211

Email: sales@winmate.com.tw

Official website: www.winmate.com
