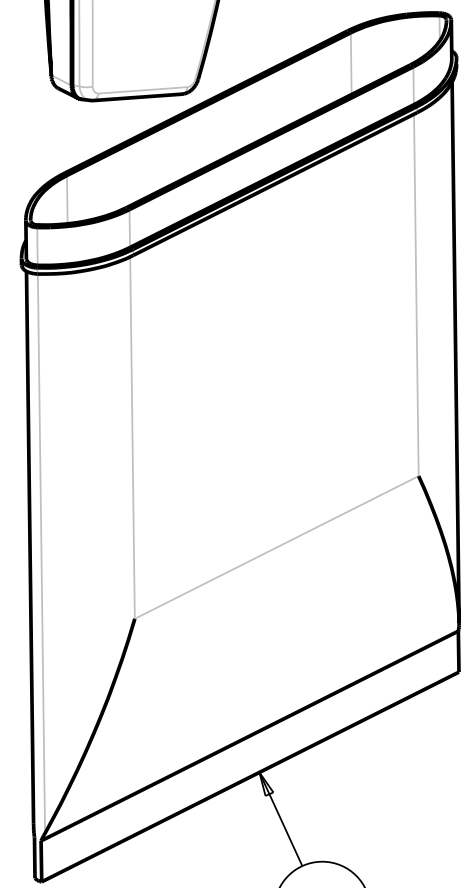
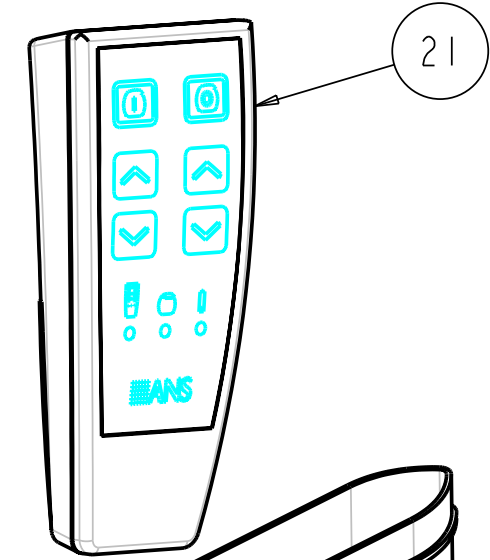


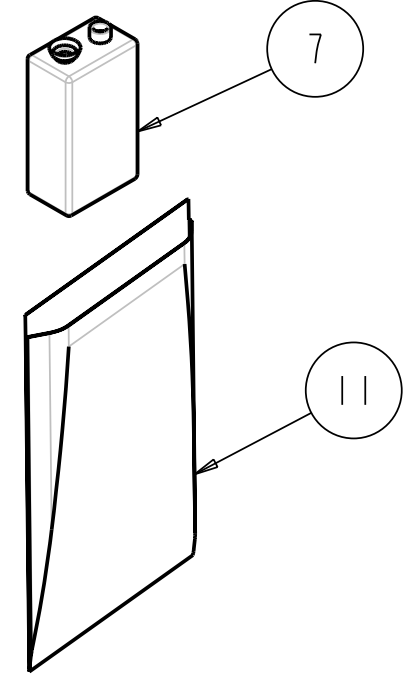
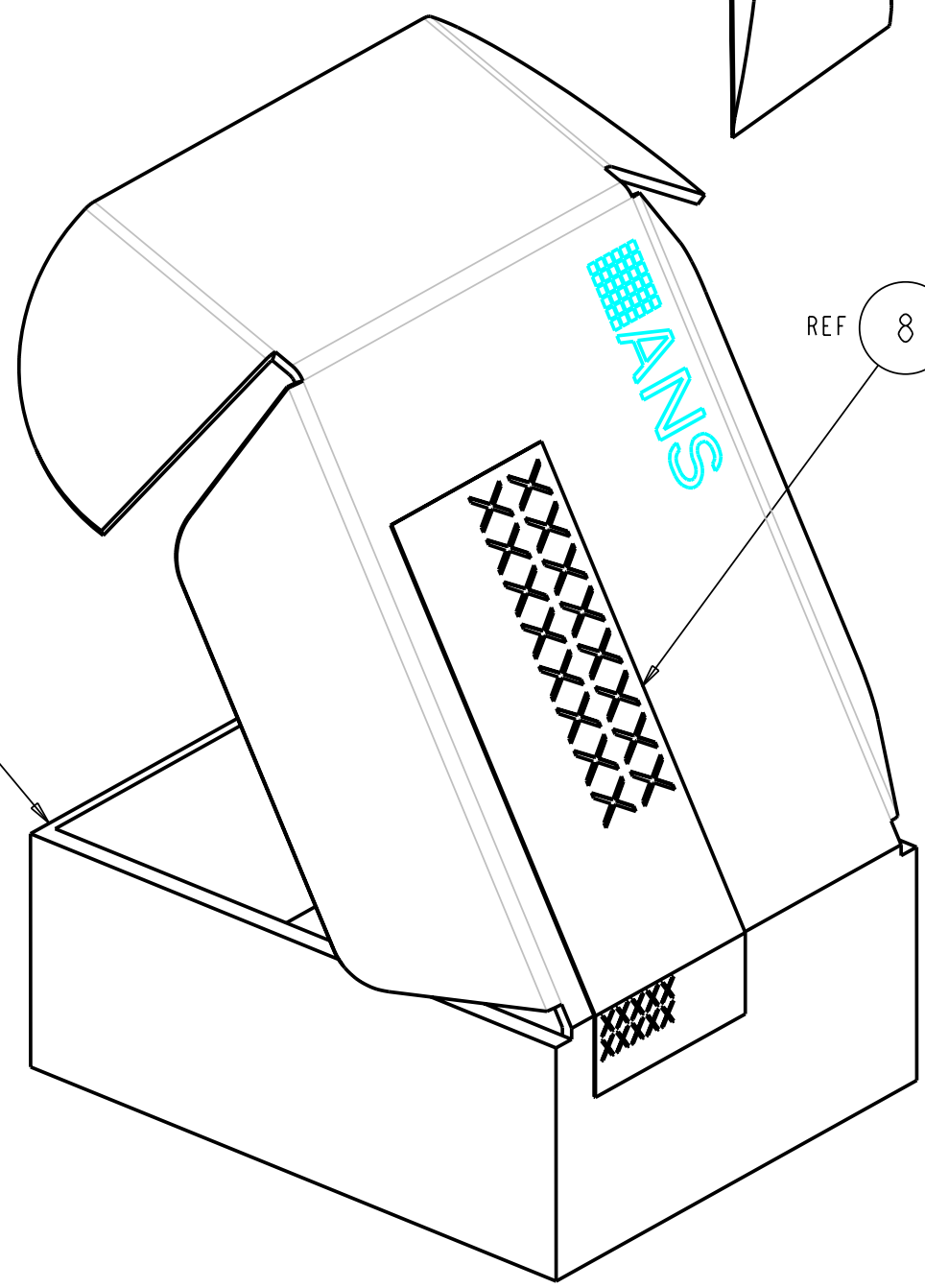
NOTES:

- ① LABELS, ITEM NO. 17, 20 AND 8, TO BE READABLE IN ORIENTATION SHOWN
- ② LABEL TO BE CREATED FROM ITEM NO. 8, 1 PER BOX REQUIRED
- ③ LABEL TO BE CREATED FROM ITEM NO. 17, 1 PER ENVELOPE REQUIRED
- 4. PLACE ITEMS IN ENVELOPE AS SHOWN ON SHEET 2
- 5. PLACE BATTERY, ITEM NO. 7, IN BAG, ITEM NO. 11, AND PLACE BOTH AND PROGRAMMER, ITEM NO. 4, INTO STATIC SHIELD BAG, ITEM NO. 5
- 6. PLACE MANUAL, ITEM NO. 9, AND LABELLED ENVELOPE, ITEM NO. 19, INTO BOX ITEM NO. 6 FIRST, FOLLOWED BY FILLED BAG, ITEM NO. 5

REV	DESCRIPTION	AUTH	DATE
1	ENG RELEASE #10622	G.S.	1-13-01
2	ECN #11466	G.S.	



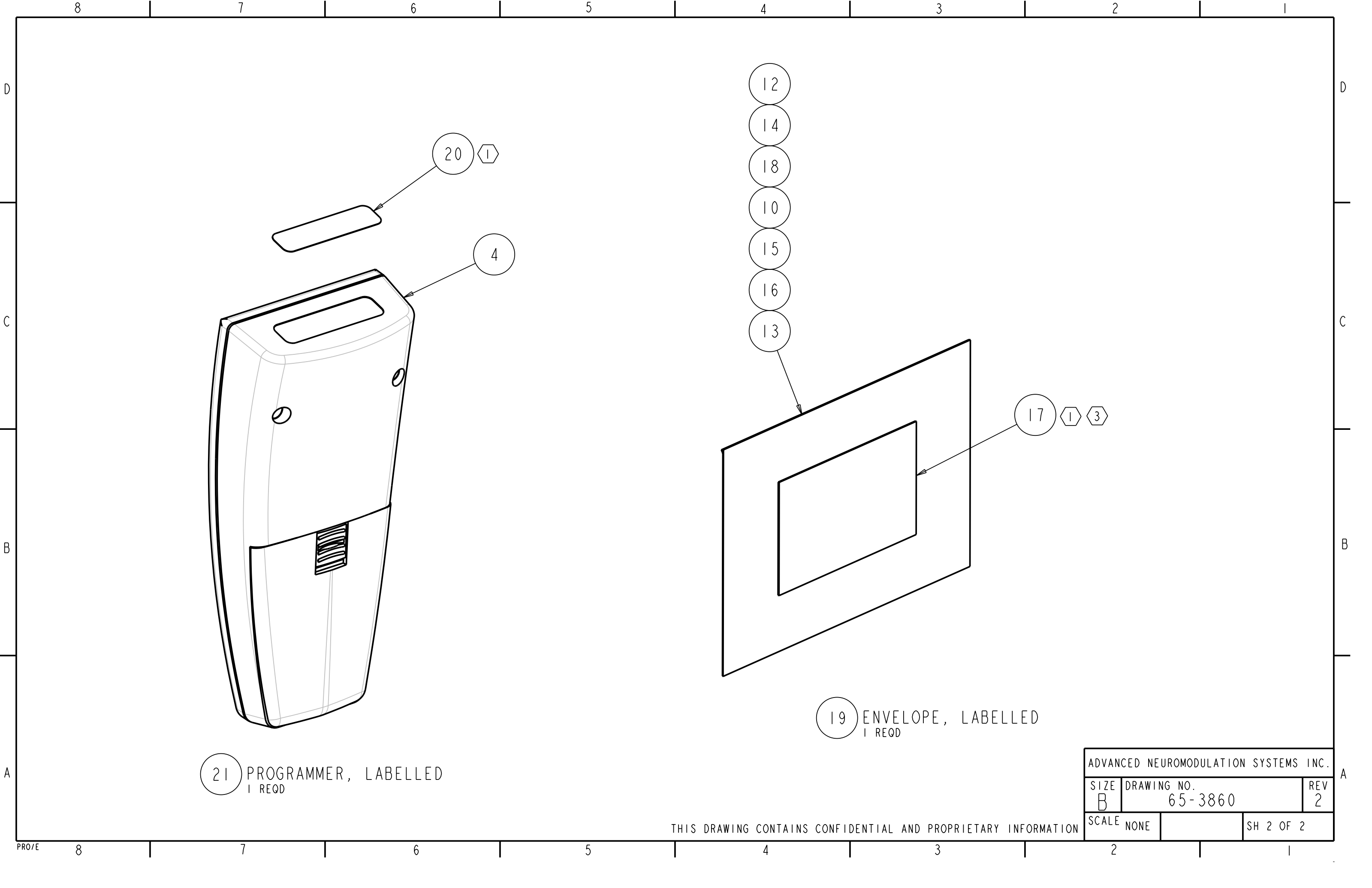
- ①⑨
- ②⑨
- ③⑥



I	21	SEE SH 2	PROGRAMMER, LABELLED
I	20	37-0434-01	LABEL, UNIVERSAL PROGRAMMER
I	19	SEE SH 2	ENVELOPE, LABELLED
I	18	37-0133-01	ENVELOPE, BUSINESS REPLY
I	17	37-0098-01	LABEL, PACK, PATIENT INFORMATION
I	16	94-2012-01	LETTER, PRESCRIPTION-MEDICAL NEC
I	15	94-2011-01	INFORMATION, INSURANCE, PATIENT
I	14	37-0132-01	LABEL, ORDER FORM, ACCESSORIES
I	13	31-0078-01	ENVELOPE, 6 X 9, WHITE
I	12	37-0028	LABEL, HOSPITAL RECORD
I	11	31-0054-01	BAG, ACCESSORY, ZIPLOCK
I	10	37-0099-01	CARD, WARRANTY, PATIENT
I	9	37-0381-01	MANUAL, UNIVERSAL PROGRAMMER
REF	8	37-0192	LABEL, ACC KIT BOX
I	7	31-0159-01	BATTERY, ALKALINE, 9V
I	6	35-0170-01	BOX, ACC, NON STERILE
I	5	31-0092-01	BAG, STATIC SHIELD, 8 X 11
I	4	44-0053-01	PROGRAMMER, SIMPLE, IPG
—	3	—	PROCEDURE, INSPECTION
—	2	—	SPECIFICATION
REF	1	59-0045	TRAVELER
-01 QTY	ITEM NO.	PART NUMBER	DESCRIPTION

THIS DRAWING CONTAINS CONFIDENTIAL AND PROPRIETARY INFORMATION.

ITEM NO. ANS USE ONLY NOTE REF.	TOLERANCE (EXCEPT AS NOTED) DO NOT SCALE ALL DIMENSIONS IN INCHES DIMENSIONS TO BE INTERPRETED ACCORDING TO ASME Y14.5-1994 FRAC. ±1/32 .XX ±.01 .XXX ±.005 .XXXX ±.0005 ANG. ±1.0°	ADVANCED NEUROMODULATION SYSTEMS, INC. 6501 WINDCREST DR. SUITE 100 / PLANO, TEXAS 75024	
	DRAWN: K.CANTLON CHK'D: APP'D:	DATE: 3-13-01	SCALE: NONE SIZE: B SHEET 1 OF 2



21 PROGRAMMER, LABELLED
1 REQD

19 ENVELOPE, LABELLED
1 REQD

ADVANCED NEUROMODULATION SYSTEMS INC.		
SIZE B	DRAWING NO. 65-3860	REV 2
SCALE NONE		SH 2 OF 2

THIS DRAWING CONTAINS CONFIDENTIAL AND PROPRIETARY INFORMATION