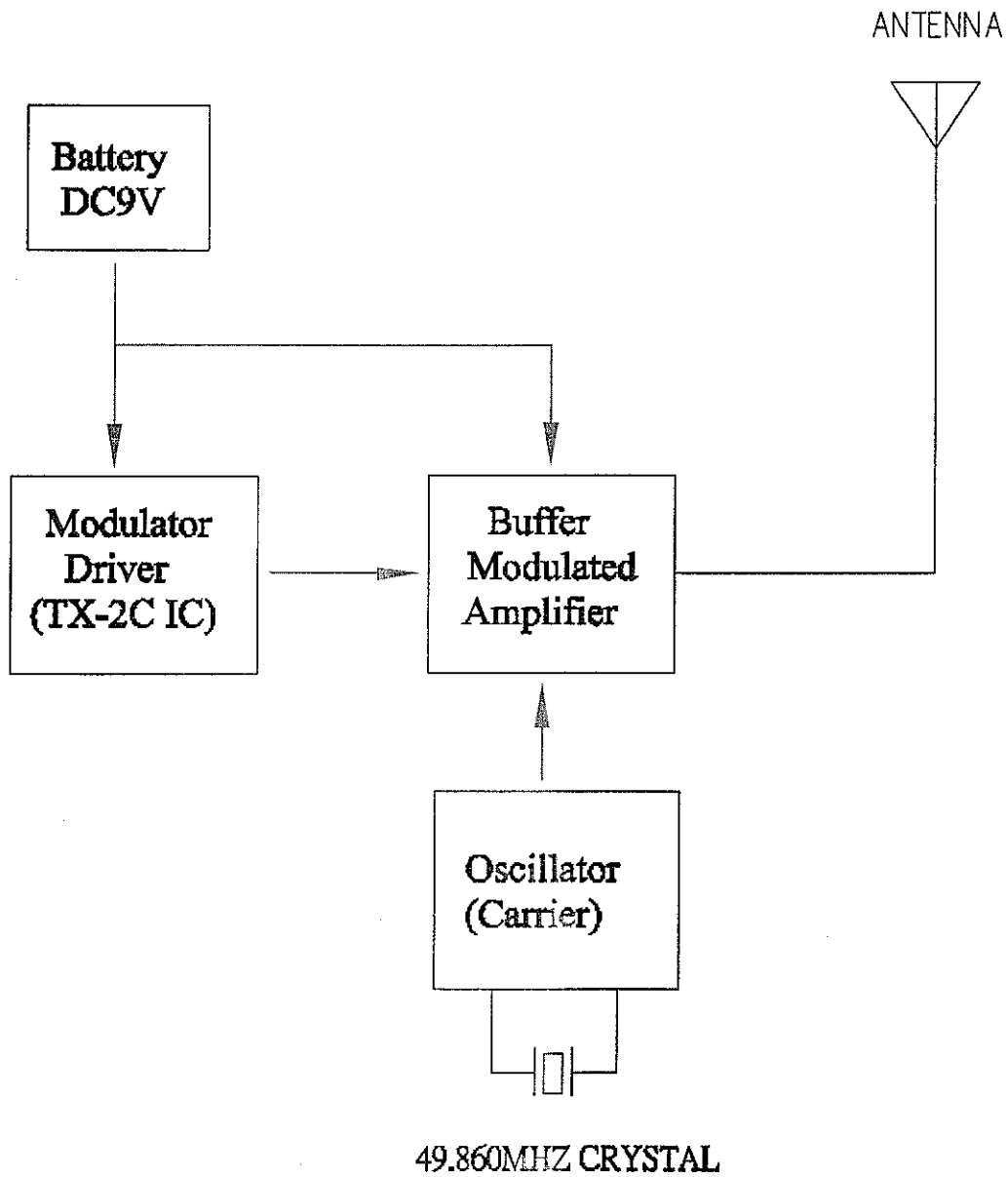




# #90174 Chrysler Car TX BLOCK DIAGRAM



DESIGNED: QS Lee	DATE: 2005-3-01	EARLY LIGHT INDUSTRIAL CO.LTD	
CHECKED:	DATE: 2005-3-01	MODE NO: #90174	PCB NO: #90174 TX REV: 00
APPROVAED: SW MOK	DATE: 2005-3-01	FILE NAME: TX BLOCK	PAGE: 1 OF 1