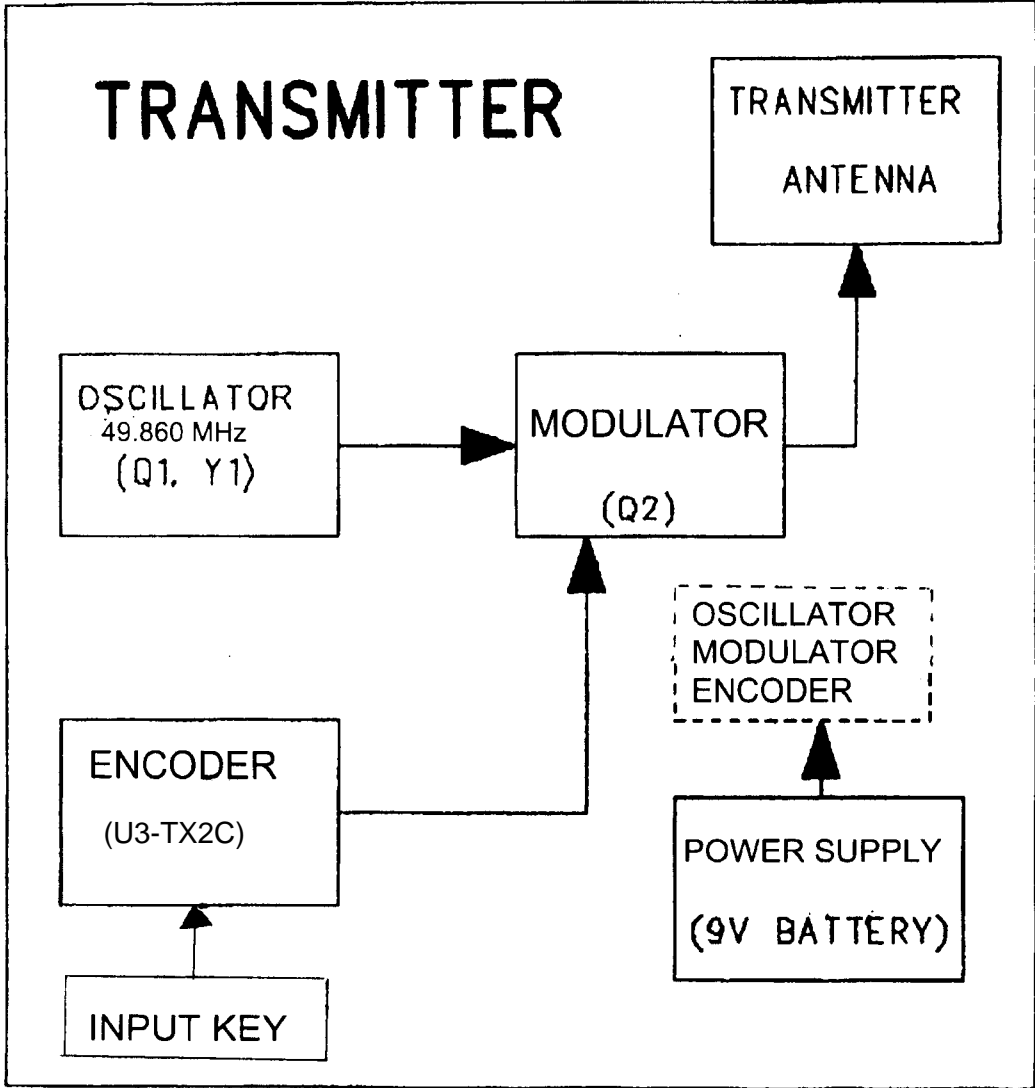


3

2

1

REVISION RECORD			
LTR	ECO NO:	APPROVED:	DATE:



COMPANY:

TITLE:

DATED:

DATED:

DATED:

DATED:

CODE:

SIZE:

DRAWING NO:

REV:

SCALE:

SHEET: OF

D

C

B

A