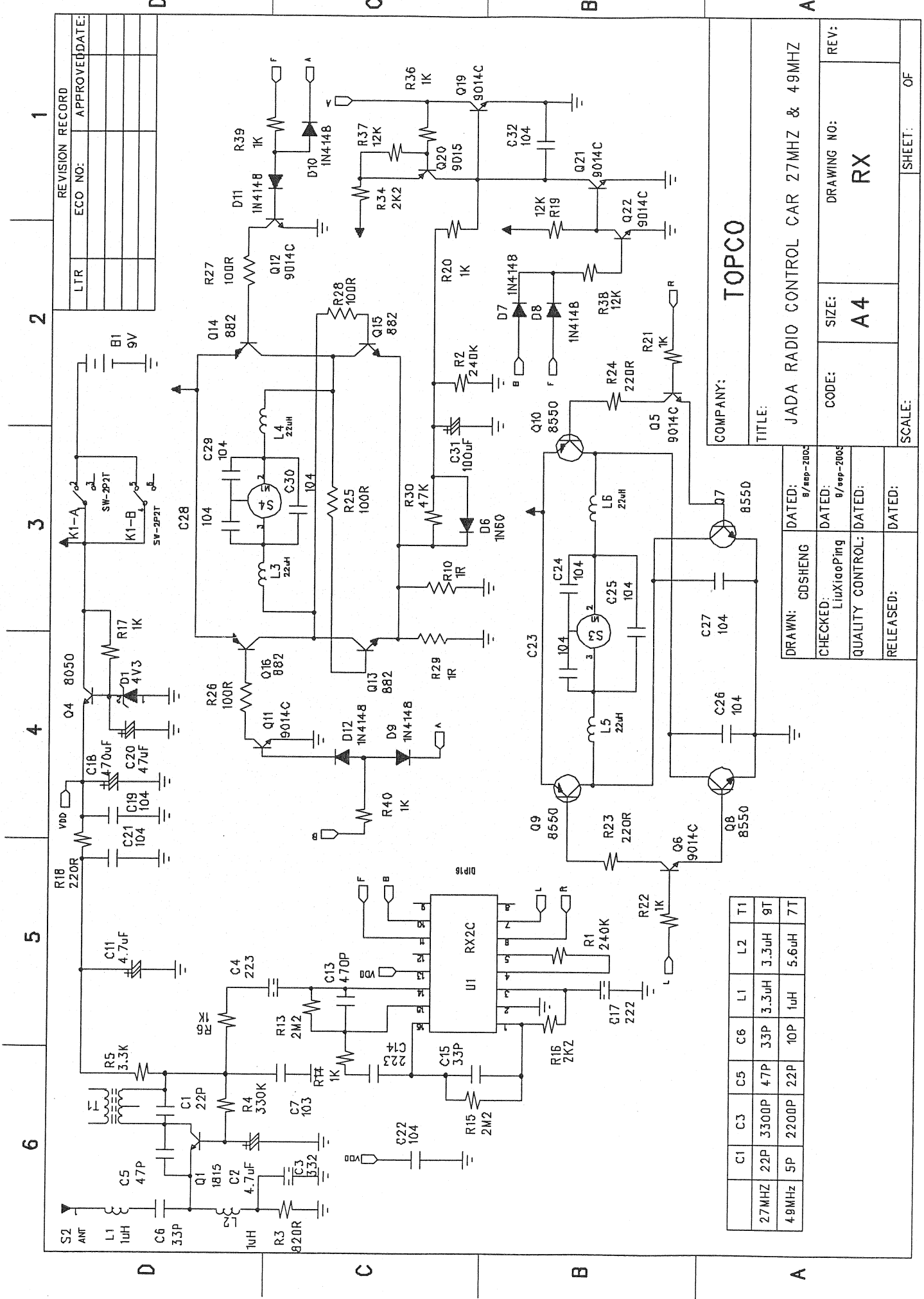


REVISION RECORD	
LTR	ECO NO: APPROVED DATE:



COMPANY: **TOPCO**

TITLE: **JADA RADIO CONTROL CAR 27MHZ & 49MHZ**

CODE: **A4**      DRAWING NO: **RX**      REV:

SCALE:       SHEET:  OF

DRAWN: <b>CDSHENG</b>	DATED: <b>8/sep-2002</b>
CHECKED: <b>LiuXiaoPing</b>	DATED: <b>8/sep-2002</b>
QUALITY CONTROL: <b> </b>	DATED: <b> </b>
RELEASED: <b> </b>	DATED: <b> </b>

C1	C3	C5	C6	L1	L2	T1
27MHZ	22P	3300P	47P	33P	3.3uH	9T
49MHZ	5P	2200P	22P	10P	1uH	5.6uH
						7T