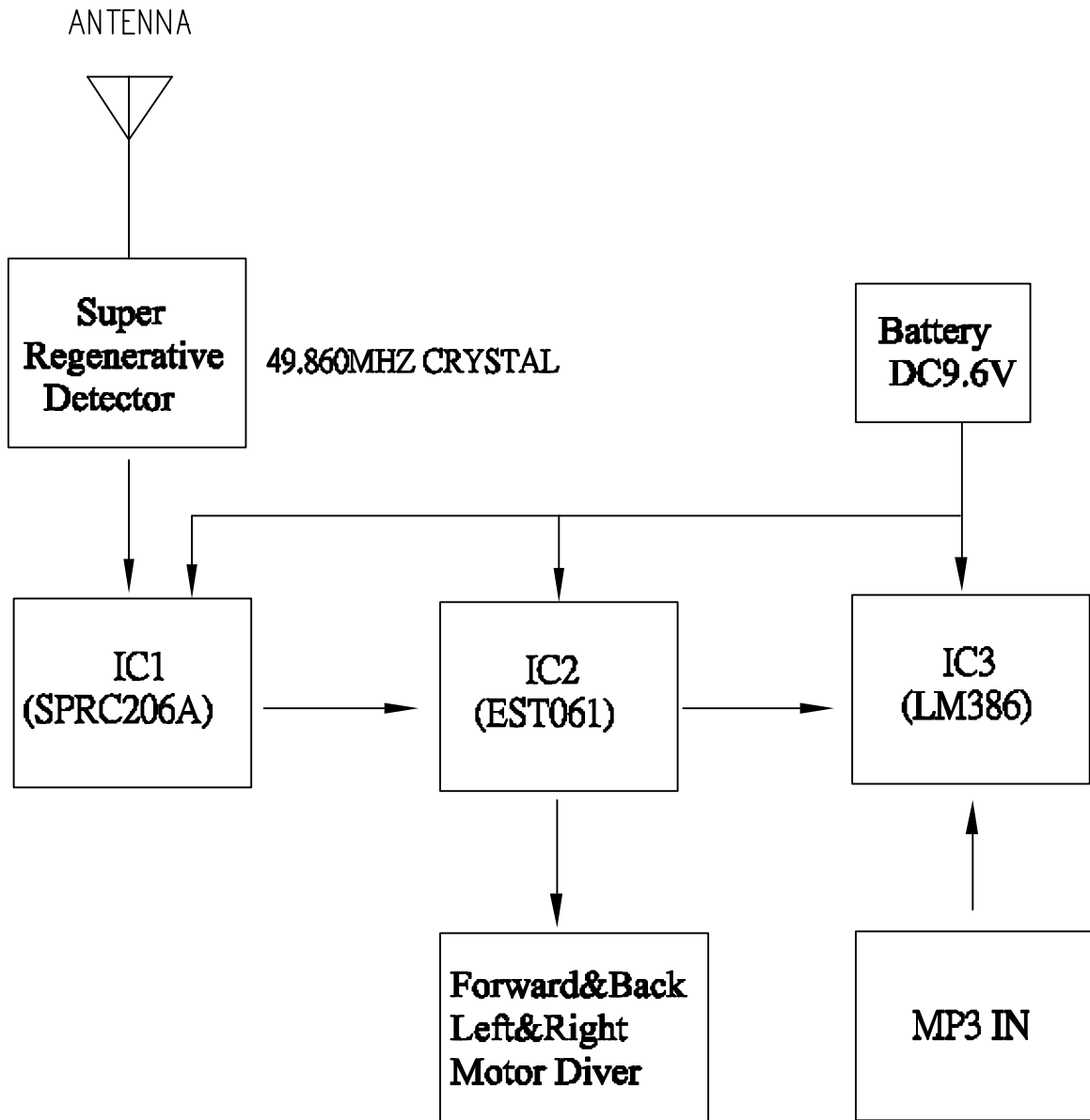




#90230 1:6 R/C Car RX BLOCK DIAGRAM



DESIGNED: QS Lee	DATE: 10-May-05	EARLY LIGHT INDUSTRIAL CO.LTD		
CHECKED: JB Wong	DATE: 10-May-05	MODE NO: #90230	PCB NO: CAR-06	REV: V02
APPROVAED: KW Lo	DATE: 10-May-05	FILE NAME: RX BLOCK	PAGE: 1 OF 1	