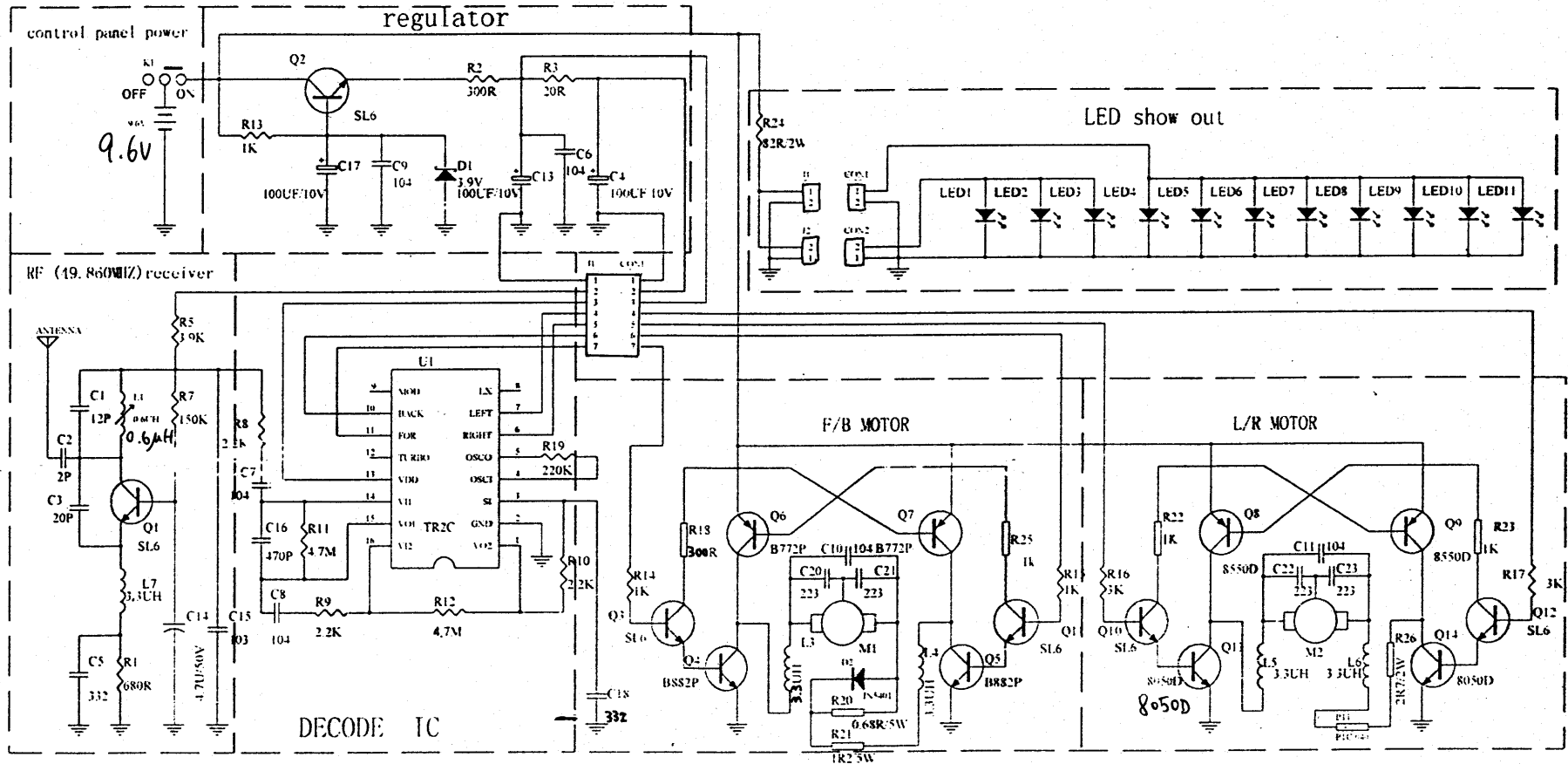


RX REMOTE CONTROL CAR CIRCUIT



| | | | | | | | |
|-------------|--|----------|--------|--------------|--------------------|-----------|--------------------|
| FILE NAME: | RX remote control car block diagram (49.86MHz) | VERSION: | 1 | FILE NO: | PEW100297 | APPROVED: | <i>[Signature]</i> |
| PRODUCT NO: | B3002 | PAGE: | 1 OF 1 | PREPARED BY: | <i>[Signature]</i> | DATE: | 2004.8.2 |
| COMPANY | Wing Shing Metal & Plastics Products Ltd | | | | | | |