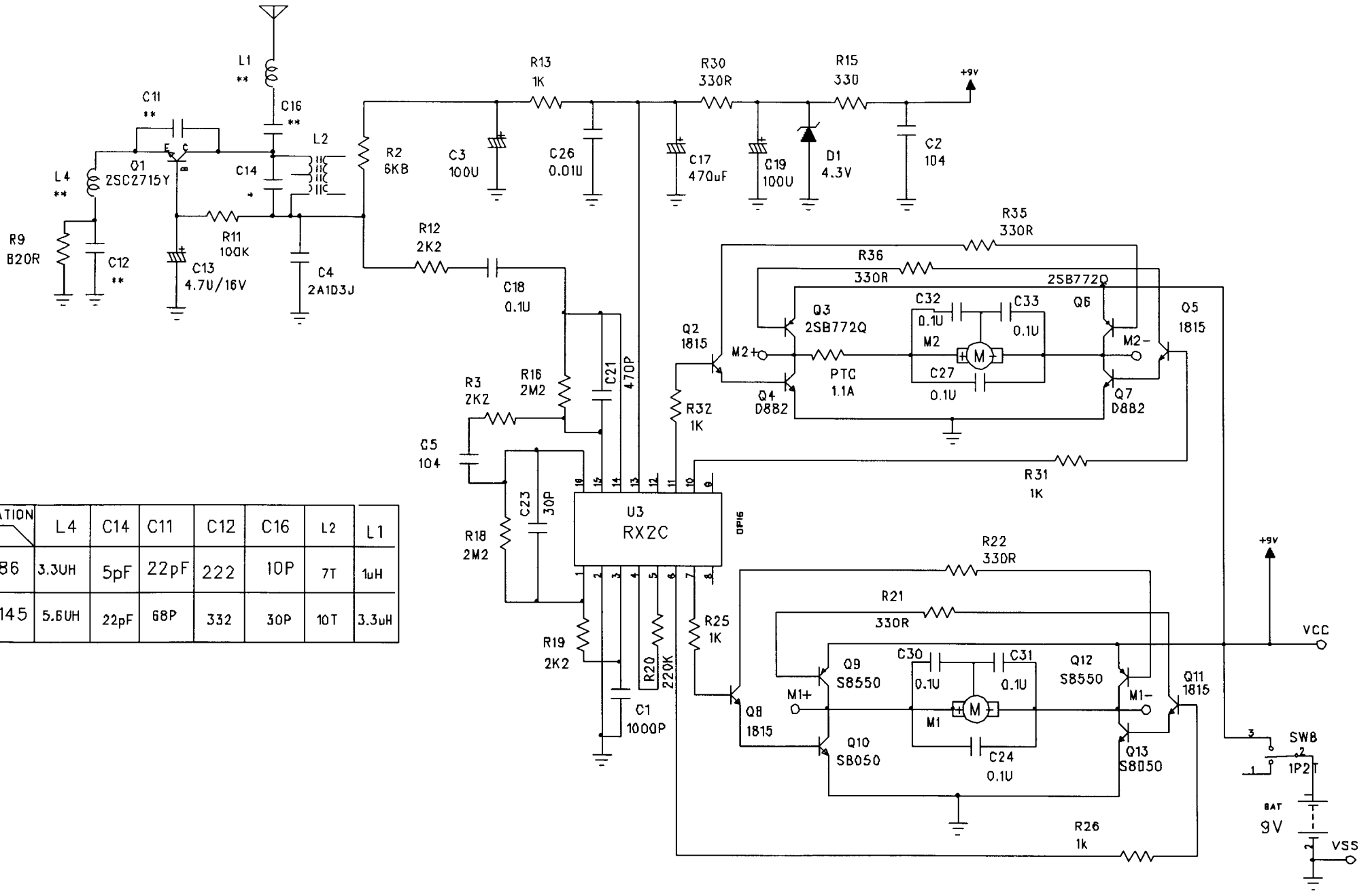


49.860 MHz



LOCATION ITEM	L4	C14	C11	C12	C16	L2	L1
49M86	3.3UH	5pF	22pF	222	10P	7T	1uH
27M145	5.6UH	22pF	68P	332	30P	10T	3.3uH