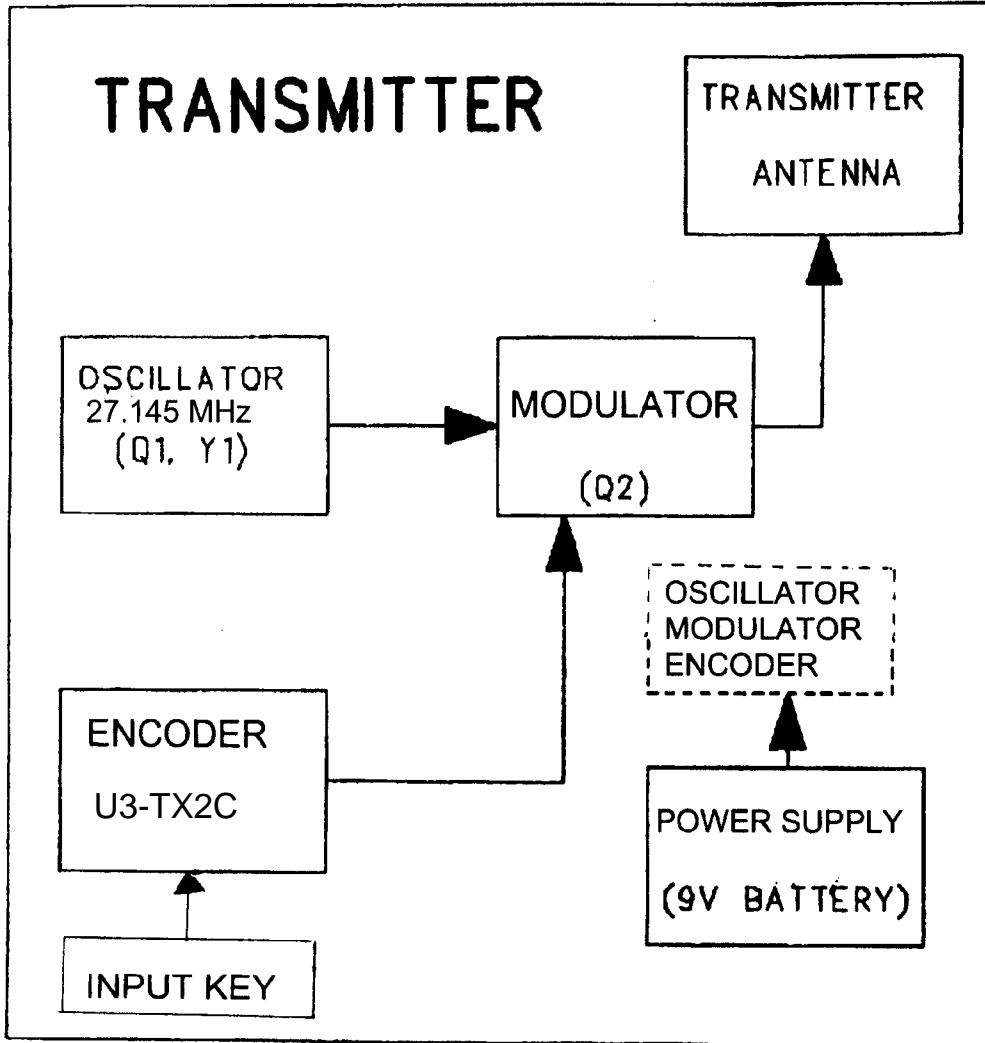


3

2

1

REVISION RECORDS			
LTR	ECO NO:	APPROVED:	DATE:



COMPANY:				
TITLE:				
DATED:	CODE:	SIZE:	DRAWING NO:	REV:
DATED:				
DATED:				
DATED:				
SCALE:	SHEET: OF			

D

C

B

A