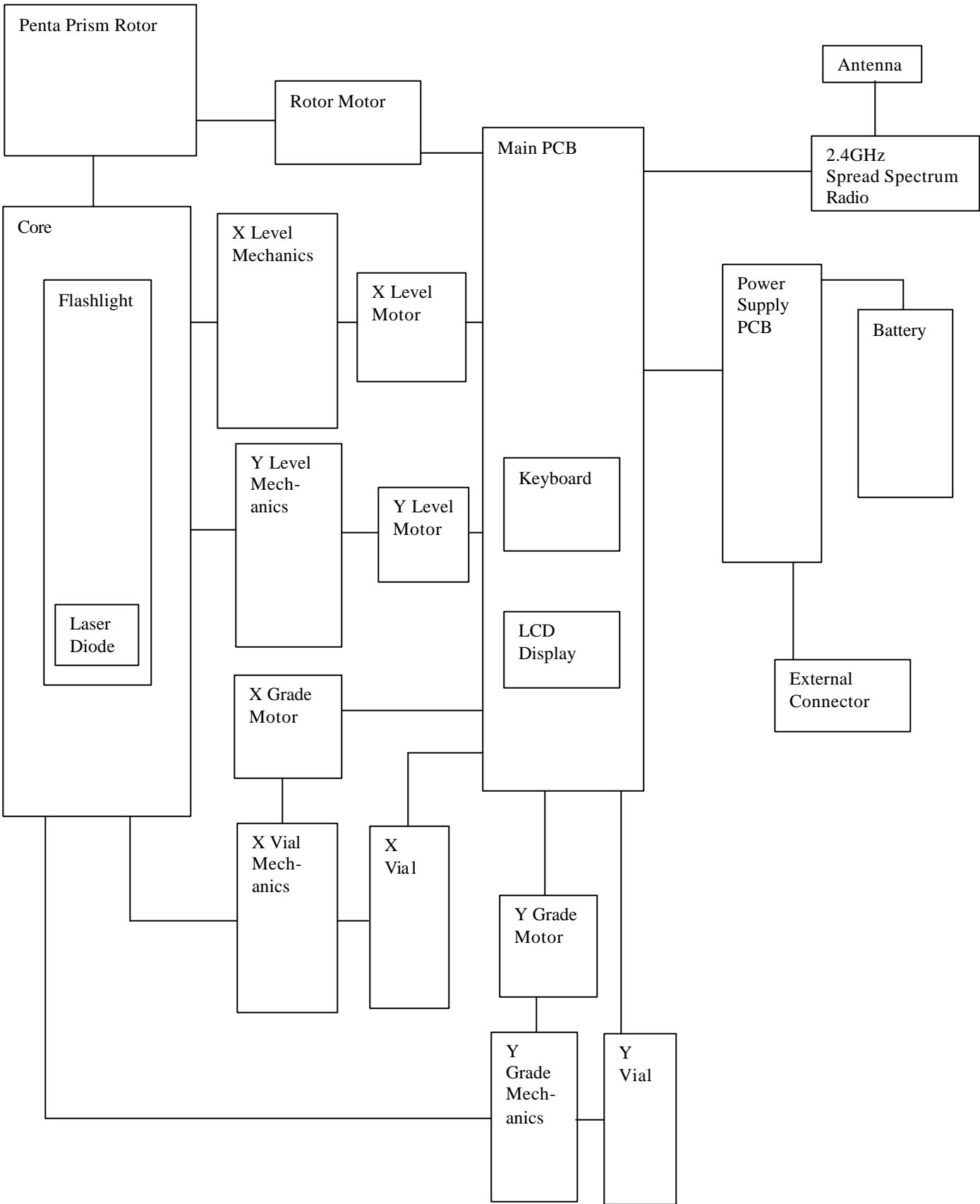
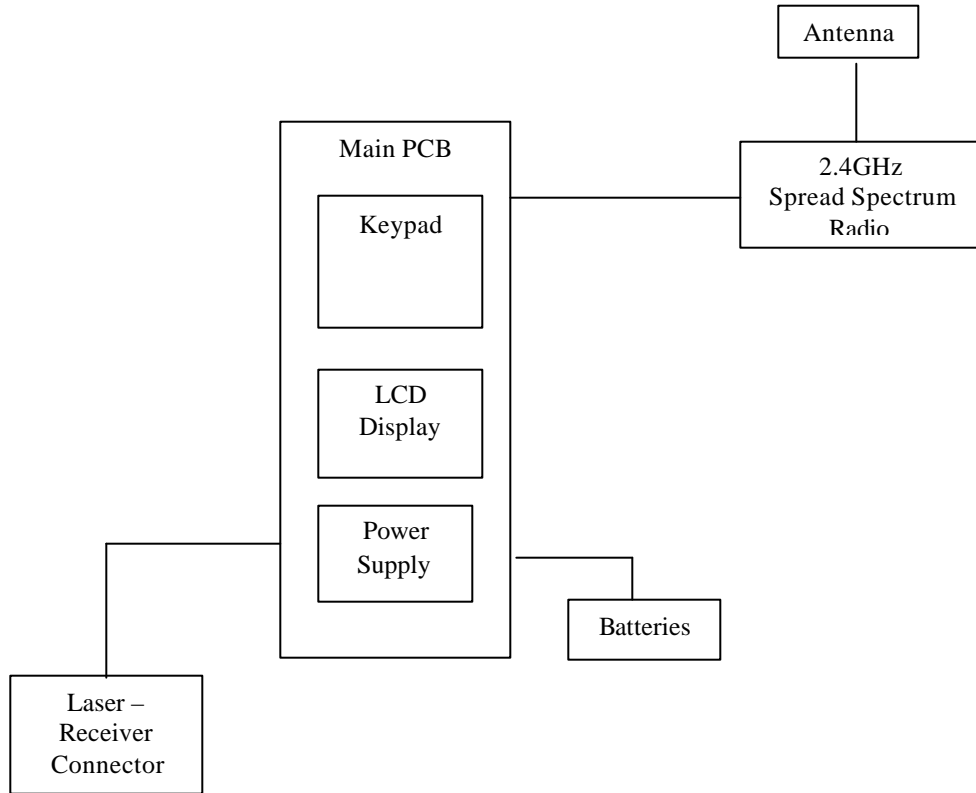


BLOCK DIAGRAM – GL722

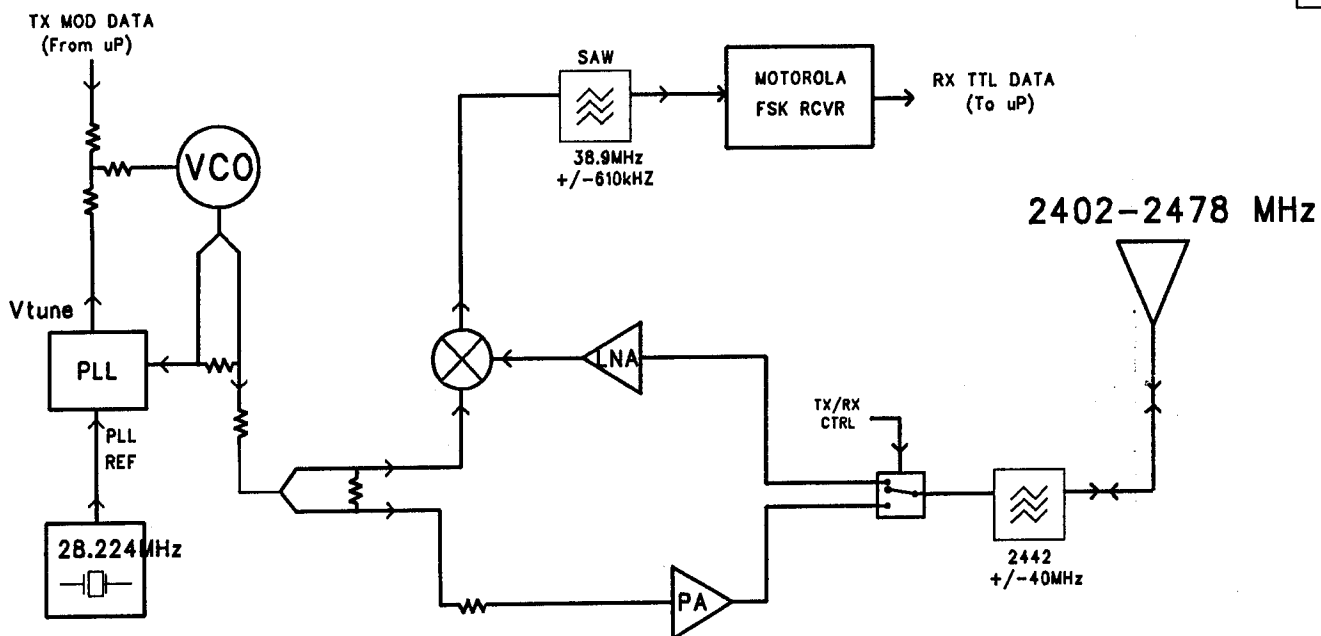


BLOCK DIAGRAM – RC70x



OEM FREQUENCY PLAN

REVISION RECORD			
LTR	ECO NO:	APPROVED:	DATE:



COMPANY: AEROCOMM, INC.			
TITLE: OEM FREQUENCY PLAN			
DRAWN: NZH	DATED: 07/22/99	CODE:	SIZE:
CHECKED:	DATED:	DRAWING NO:	
QUALITY CONTROL:	DATED:	REV: A	
RELEASED:	DATED:	SCALE:	

REGISTERED CONFIDENTIAL