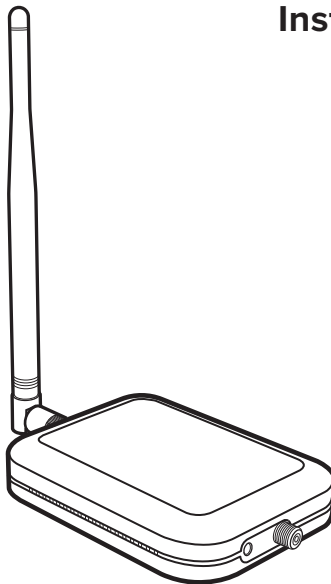




# Installation Guide



**Home Studio / Home Studio *Lite***  
Cell Signal Booster

# Index

Package Contents .....	1
STEP 1 Attach Inside Antenna to Booster & Place in Desired Location .....	2
STEP 2 Mount & Point Outside antenna Toward Nearest Cell Tower .....	2
STEP 3 Route & Connect Outside Antenna To Booster .....	4
STEP 4 Power Up The Booster & Optimize The System .....	4
Status Light Patterns .....	6
Troubleshooting .....	8
Safety Guidelines .....	9
Specifications .....	12
Warranty .....	17

## Package Contents



Home Studio/Home  
Studio Lite Booster  
& Inside Antenna



2–30 ft.  
Cables



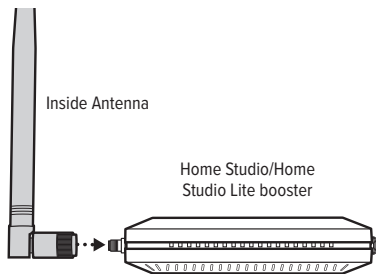
Outside Antenna &  
L-Bracket Antenna  
Mount



Power  
Supply

## STEP 1 Attach Inside Antenna to Booster & Place In Desired Location

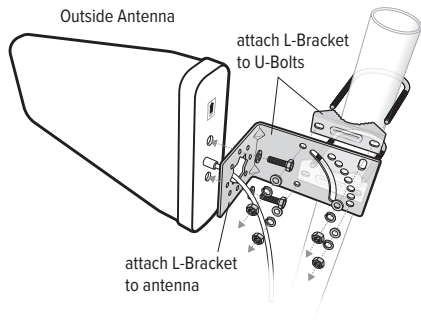
Attach the Inside Antenna to Home Studio/Home Studio Lite booster and place in room where stronger cell signal is needed.



---

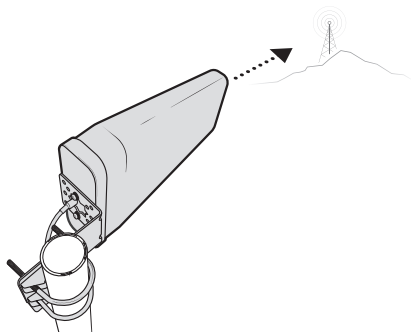
## STEP 2 Mount & Point Outside Antenna Toward Nearest Cell Tower

Pole mounting is preferred because it will be easier to adjust to the direction of the cell tower. Use the U-Bolts to attach the Antenna to a pole or exhaust pipe on roof.



## (STEP 2 cont.)

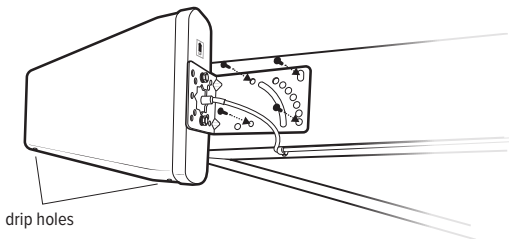
Point the Outside Antenna toward the nearest cell phone tower. To find the nearest tower, use an app such as 'Open Signal'. This is the most critical step of the installation process because it will determine the overall performance of the booster system.



## Side Mounting

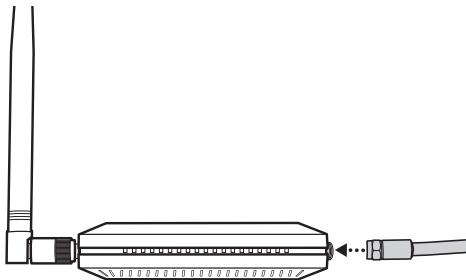
Side mounting is a option if you can still obtain strong signal.

Note: Drip holes should be pointed down towards ground.



### STEP 3 Route & Connect Outside Antenna To Booster

Connect the white RG-6 Cable to Outside Antenna and route and connect cable to Home Studio/Home Studio Lite booster. All connections should be finger tightened only.

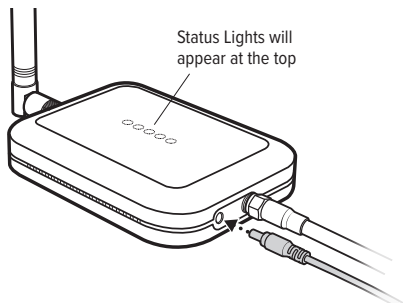


---

### STEP 4 Power Up The Booster & Optimize The System

Plug the Power Supply into wall outlet then connect into end of booster.

NOTE: We strongly recommend using a power strip with surge protection.

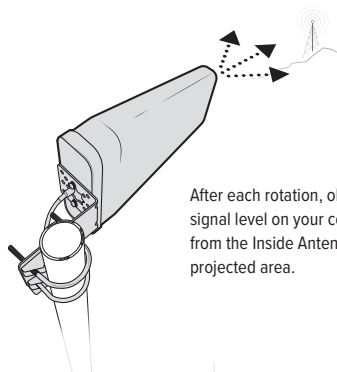


## (STEP 4 cont.)

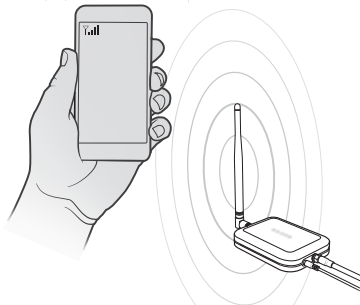
After powering up your system, check to see how your talk, text, and data rates have improved. If more is desired, you can optimize your system.

Rotate the Outside Antenna in 1/8 turn increments, after each turn, unplug and reconnect the booster to power while observing the signal level on your cell phone from the Inside Antenna's projected area. When you have determined a direction that gives you the strongest signal, secure the Outside Antenna in place. Below gives you an idea of how much boosted cell signal coverage this system will bring indoors based on how strong the outside signal is.

If the cell signal outside your home is:	Strong	Good	Weak	None
	↓	↓	↓	↓
Your boosted cell signal will cover:	Large Room	Medium Room	Small Room	None



After each rotation, observe signal level on your cell phone from the Inside Antenna's projected area.



## Status Light Patterns

### GREEN

This indicates that your Home Studio or Home Studio Lite is functioning properly and there are no issues with installation.

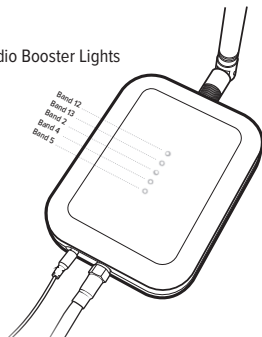
### SOLID RED

Band has shutoff. This is due to a feedback loop condition called oscillation. This is a built in safety feature that causes a band to shut off to prevent harmful interference with a nearby cell tower. Refer to Troubleshooting section.

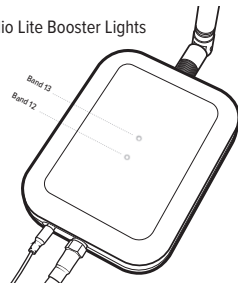
### BLINKING GREEN, RED

This indicates that the booster is operating at a reduced gain to prevent oscillation (feedback). This is a built in safety feature to prevent harmful interference with a nearby cell tower. If you are

Home Studio Booster Lights



Home Studio Lite Booster Lights





## (Status Light Patterns cont.)

already experiencing the desired signal boost, then no further adjustments are necessary. If you are not experiencing the desired boost in coverage then refer to the Troubleshooting section.

### BLINKING GREEN, YELLOW

This indicates Band has reduced gain. This indicates that one or more of the booster bands has reduced power due to overload from nearby cell tower. This is a built in safety feature to prevent harmful interference with a nearby cell tower. If you are already experiencing the desired signal boost, then no further adjustments are necessary. If you are not experiencing the desired boost in coverage then refer to the Troubleshooting section.

### SOLID YELLOW

Band has shutoff due to overload from nearby cell tower. Outside Antenna must be adjusted. Refer to Troubleshooting section.

### LIGHTS OFF

If the Signal Amplifier's light is off, verify your power supply has power.

## Troubleshooting

### FIXING RED LIGHT ISSUES

*This involves Solid Red & Blinking Green/Red lights.*

- Tighten all cable connections (be sure to handtighten only, do NOT use tools). You may want to undo and redo the connection completely. Unplug and re-plug in power supply.
- Increase the distance (horizontally or vertically) between the Outside and Inside antenna. Add included cable if needed. Un-plug and re-plug in power supply.

### FIXING ANY YELLOW LIGHT ISSUES

*This involves Solid Yellow & Blinking Green/Yellow lights.*

- **Outside Antenna must be adjusted.** Wait at least 10 seconds between adjustments for the lights to reset. **Pole Mount Option:** Rotate the Outside Antenna away from the strongest cellular signal in small increments (45°) until the light turns green. Unplug and re-plug in power supply. **Mounting On Side Of Roof Option:** Change mount location. Move the Outside Antenna to location of the home/building to see if the lights turn green. Un-plug and re-plug in power supply. Then secure in place.

## Safety Guidelines

Verify that both the Outside Antenna and the adapter extension cable are connected to the Signal Amplifier before powering up the Signal Amplifier.

Use only the power supply provided in this package. Use of an incorrect power supply may damage your equipment.

RF Safety Warning: Any antenna used with this device must be located at least 8 inches from all persons.

AWS Warning: The Outside Antenna must be installed no higher than 10 meters (31'9") above ground.

### **This is a CONSUMER device.**

---

BEFORE USE, you **MUST** REGISTER THIS DEVICE with your wireless provider and have your provider's consent. Most wireless providers consent to the use of signal boosters. Some providers may not consent to the use of this device on their network. If you are unsure, contact your provider.

BEFORE USE, you **MUST** meet all requirements set out in CPC-2-1-05.

You **MUST** operate this device with approved antennas and cables as specified by the manufacturer. Antennas **MUST** be installed at least 20 cm (8 inches) from any person.

You **MUST** cease operating this device immediately if requested by the FCC or ISED or licensed wireless service provider.

**WARNING.** E911 location information may not be provided or may be inaccurate for calls served by using this device.

This device may be operated **ONLY** in a fixed location for in-building use.

## (Safety Guidelines cont.)

**FOR MORE INFORMATION ON REGISTERING YOUR SIGNAL BOOSTER WITH YOUR WIRELESS PROVIDER, PLEASE SEE BELOW:**

**T-Mobile/Sprint/MetroPCS:** <https://support.t-mobile.com/docs/DOC-9827>

**Verizon Wireless:** <http://www.verizonwireless.com/wcms/consumer/register-signal-booster.html>

**AT&T:** <https://securec45.securewebsession.com/attsignalbooster.com/>

**U.S. Cellular:** <http://www.uscellular.com/uscellular/support/fcc-booster-registration.jsp>

**FOR MORE INFORMATION ON REQUIREMENTS SET OUT IN ISED CPC-2-1-05, SEE BELOW:**

<http://www.ic.gc.ca/eic/site/smt-gst.nsf/eng/sf08942.html>

# Antenna Info

The following accessories are certified by the FCC to be used with the Home Studio or Home Studio Lite Cell Signal Boosters.

This radio transmitter 4726A-460065 has been approved by Innovation, Science and Economic Development Canada to operate with the antenna types listed below, with the maximum permissible gain indicated. Antenna types not included in this list that have a gain greater than the maximum gain indicated for any type listed are strictly prohibited for use with this device.

HOME STUDIO	BAND 2	BAND 4	BAND 5	BAND 12	BAND 13
Outside antenna maximum permissible antenna gain (dBi) 50Ω	6.1	5.8	4.5	4.9	4.9

HOME STUDIO LITE	BAND 12	BAND 13
Outside antenna maximum permissible antenna gain (dBi) 50Ω	4.9	4.9

## OUTSIDE ANTENNA INFO

#	Coax Type	Ln(ft)	Antenna Type	Ω
314475	RG-6	30	Directional	50
314473	RG-6	30	Panel	50
304421	RG-6	30	Omni	50

## OUTSIDE ANTENNA INFO

#	Coax Type	Ln(ft)	Antenna Type	Ω
311236	none	0	Omni	50

# Specifications

Home Studio Cell Signal Booster					
Model	460066				
FCC	PWO460066				
Connectors	F-Female / SMA Female				
Antenna Impedance	50 Ohms / 75 Ohms				
Frequency	698-716 MHz, 728-756 MHz, 777-787 MHz, 824-894 MHz, 1850-1995 MHz, 1710-1755/2110-2155 MHz				
Power output for single cell phone (Uplink) dBm	<b>700 MHz B12/17</b> 23.3	<b>700 MHz B13</b> 22.2	<b>800 MHz B5</b> 23.3	<b>1700 MHz B4</b> 22.1	<b>1900 MHz B2</b> 21.8
Power output for single cell phone (Downlink) dBm	9.4	9.6	7.0	11.8	13.8
Noise Figure	5.0 dB nominal				
Isolation	> 90 dB				
Power Requirements	5V 4A				

Each Signal Booster is individually tested and factory set to ensure FCC compliance. The Signal Booster cannot be adjusted without factory reprogramming or disabling the hardware. The Signal Booster will amplify, but not alter incoming and outgoing signals in order to increase coverage of authorized frequency bands only. If the Signal Booster is not in use for five minutes, it will reduce gain until a signal is detected. If a detected signal is too high in a frequency band, or if the Signal Booster detects an oscillation, the Signal Booster will automatically turn the power off on that band. For a detected oscillation the Signal Booster will automatically resume normal operation after a minimum of 1 minute. After 5 (five) such automatic restarts, any problematic bands are permanently shut off until the Signal Booster has been manually restarted by momentarily removing power from the Signal Booster. Noise power, gain, and linearity are maintained by the Signal Booster's microprocessor.

The term "IC" before the radio certification number only signifies that Industry Canada technical specifications were met.

This device complies with Part 15 of FCC rules. This device contains licence-exempt transmitter(s)/receiver(s) that comply with Innovation, Science and Economic Development Canada's licence-exempt RSS(s). Operation is subject to two conditions: (1) This device may not cause harmful interference, and (2) this device must accept any interference received, including interference that may cause undesired operation. Changes or modifications not expressly approved by weBoost could void the authority to operate this equipment.

# Specifications

Home Studio Lite Cell Signal Booster		
Model	460065	
FCC	PWO460065	
Connectors	F-Female / SMA Female	
Antenna Impedence	50 Ohms / 75 Ohms	
Frequency	698-716 MHz, 728-756 MHz, 777-787 MHz	
Power output for single cell phone (Uplink) dBm	<b>700 MHz B12/17</b> 24.3	<b>700 MHz B13</b> 23.0
Power output for single cell phone (Downlink) dBm	11.7	12.9
Noise Figure	5.0 dB nominal	
Isolation	> 90 dB	
Power Requirements	5V 4A	

Each Signal Booster is individually tested and factory set to ensure FCC compliance. The Signal Booster cannot be adjusted without factory reprogramming or disabling the hardware. The Signal Booster will amplify, but not alter incoming and outgoing signals in order to increase coverage of authorized frequency bands only. If the Signal Booster is not in use for five minutes, it will reduce gain until a signal is detected. If a detected signal is too high in a frequency band, or if the Signal Booster detects an oscillation, the Signal Booster will automatically turn the power off on that band. For a detected oscillation the Signal Booster will automatically resume normal operation after a minimum of 1 minute. After 5 (five) such automatic restarts, any problematic bands are permanently shut off until the Signal Booster has been manually restarted by momentarily removing power from the Signal Booster. Noise power, gain, and linearity are maintained by the Signal Booster's microprocessor.

The term "IC" before the radio certification number only signifies that Industry Canada technical specifications were met.

This device complies with Part 15 of FCC rules. This device contains licence-exempt transmitter(s)/receiver(s) that comply with Innovation, Science and Economic Development Canada's licence-exempt RSS(s). Operation is subject to two conditions: (1) This device may not cause harmful interference, and (2) this device must accept any interference received, including interference that may cause undesired operation. Changes or modifications not expressly approved by weBoost could void the authority to operate this equipment.









## ✔ 2 YEAR WARRANTY

weBoost Signal Boosters are warranted for two (2) years against defects in workmanship and/or materials. Warranty cases may be resolved by returning the product directly to the reseller with a dated proof of purchase.

Signal Boosters may also be returned directly to the manufacturer at the consumer's expense, with a dated proof of purchase and a Returned Material Authorization (RMA) number supplied by weBoost. weBoost shall, at its option, either repair or replace the product.

This warranty does not apply to any Signal Boosters determined by weBoost to have been subjected to misuse, abuse, neglect, or mishandling that alters or damages physical or electronic properties.

Replacement products may include refurbished weBoost products that have been recertified to conform with product specifications.

RMA numbers may be obtained by contacting Customer Support.

**DISCLAIMER:** The information provided by weBoost is believed to be complete and accurate. However, no responsibility is assumed by weBoost for any business or personal losses arising from its use, or for any infringements of patents or other rights of third parties that may result from its use.



3301 East Deseret Drive, St. George, UT

 866.294.1660  [www.weboost.com](http://www.weboost.com)  [support@weboost.com](mailto:support@weboost.com)

Copyright © 2020 weBoost. All rights reserved. weBoost products covered by U.S. patent(s) and pending application(s)  
For patents go to: [weboost.com/us/patents](http://weboost.com/us/patents)

NOT AFFILIATED WITH WILSON ANTENNA

GDE000280\_PROOF2\_09.14.20