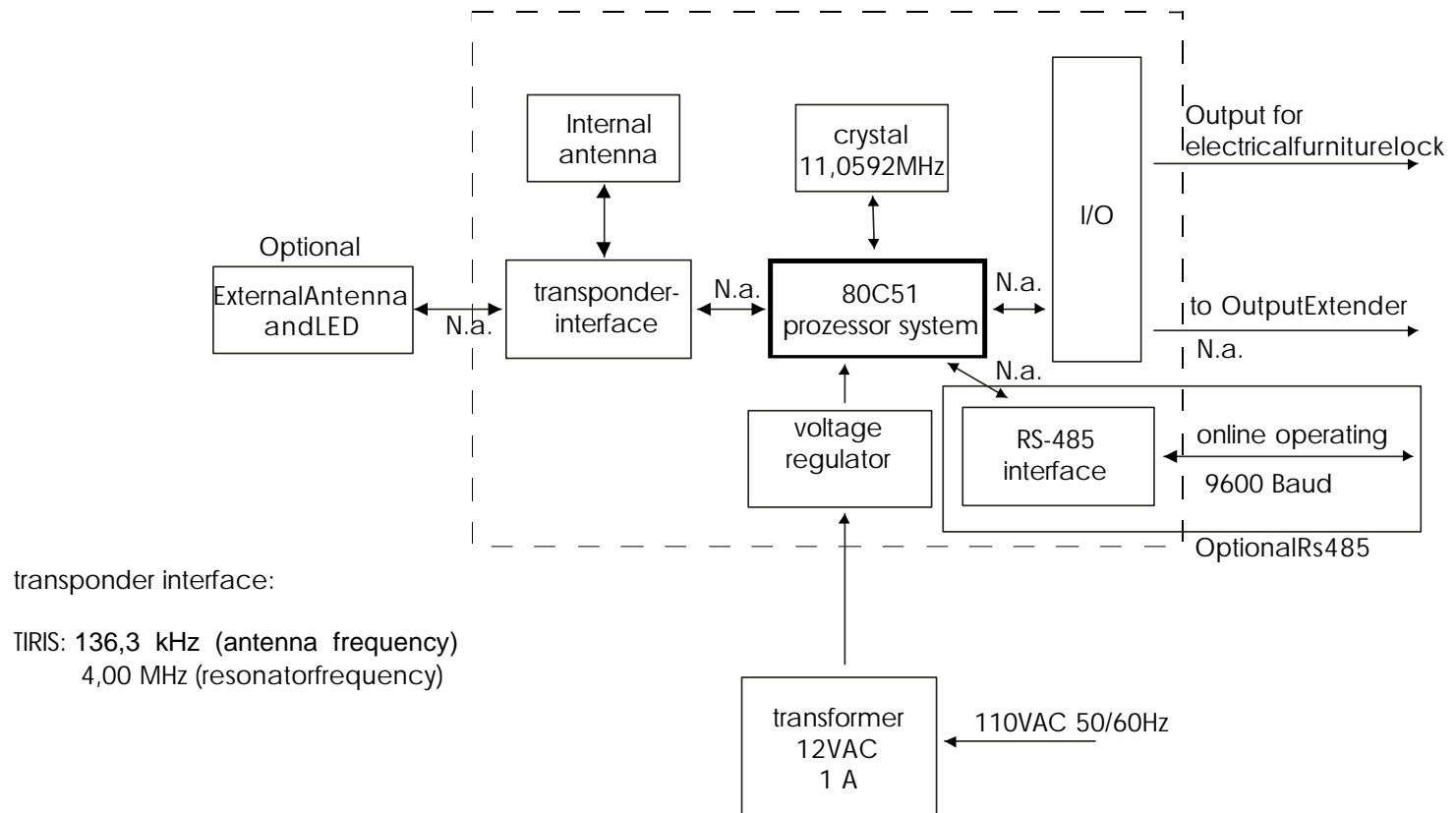


# BLOCK-DIAGRAM Dialock furniture terminal (DFT)



N.a.: Since the interfaces are synchronous the frequencies are not predictable but less than 1MHz..