



QUICK START GUIDE POSITIVE VIBRATION XL ANC

ATTENTION: PLEASE READ QUICK START GUIDE BEFORE USE

ATTENTION: PRIÈRE DE LIRE LE GUIDE DE DÉMARRAGE RAPIDE AVANT UTILISATION

ATENCIÓN: LEA LA GUÍA DE INICIO RÁPIDO ANTES DE USARLO

VOR DEM GEBRAUCH BITTE DIE SCHNELLSTARTANLEITUNG LESEN

ATTENZIONE: LEGGERE LA GUIDA DI AVVIAMENTO RAPIDO PRIMA DEL USO

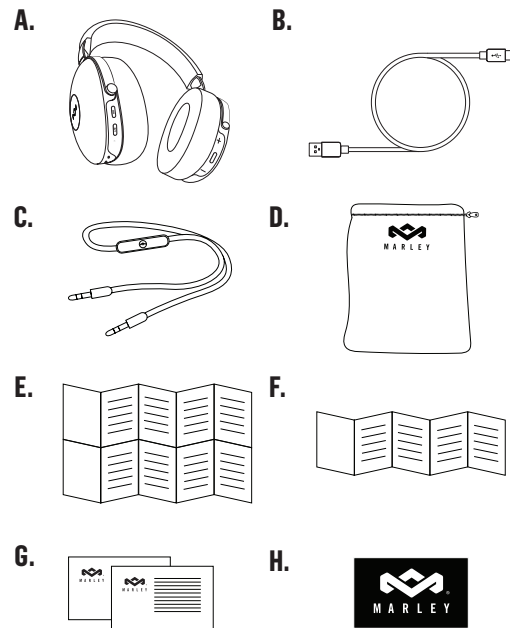
OPGELET: VOOR HET GEBRUIK DE SNELSTARTGIDS LEZEN

提示：使用前請閱讀快捷使用說明

사용 전에 빠른 시작 가이드를 읽어 주십시오.

INSIDE THE BOX

L'intérieur du carton / Dentro de la caja / In der Verpackung
/ All'interno dell'imballaggio / In de doos / 盒內物品 / 박스 내용물
/ セット内容

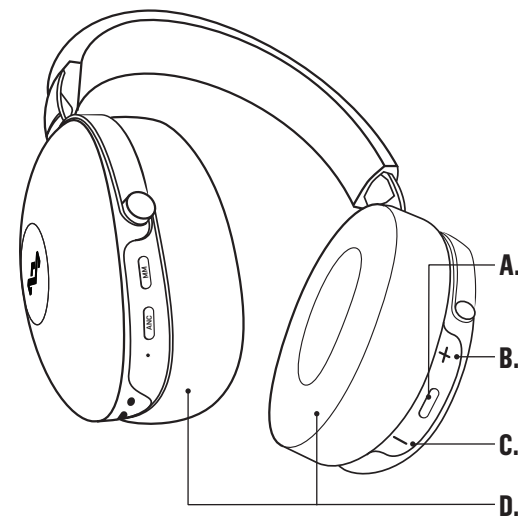


LEGEND

- | | |
|------------------------------|-------------------------|
| A. Headphones | D. Stash Bag |
| B. Charging Cable | E. Warranty Information |
| USB-C to USB-A | F. Quick Start Guide |
| C. Aux Cable With Microphone | G. Welcome Cards |
| and 1-Button Remote | H. Sticker |

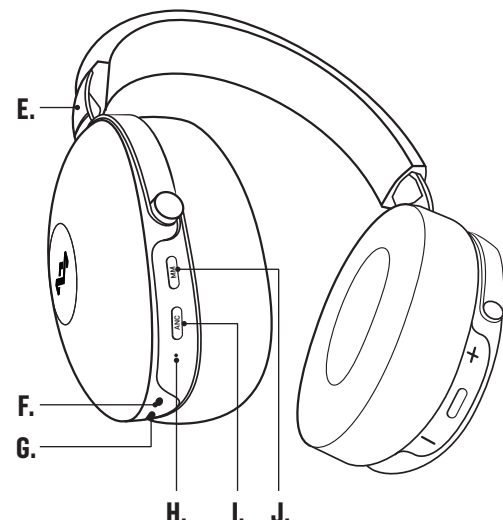
COMPONENTS

Composants / Componentes / Komponenten / Component /
Componenten / 組件 / 구성품 / 品目



LEGEND

- | | |
|-----------------------------------------|------------------------|
| A. Play/Pause +
Make/End Phone Calls | F. 3.5mm Line In Port |
| B. Volume Up/Track Forward | G. USB-C Charging Port |
| C. Volume Down/Track Backward | H. LED Indicator |
| D. Earcups | I. ANC Mode |
| E. Headband Adjustment | J. Monitor Mode |



STATUS

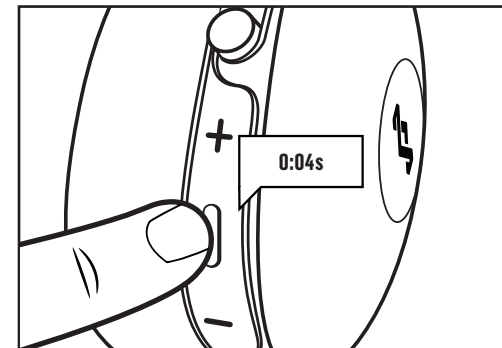
- Low Power
- Charging
- Pairing Mode
- Bluetooth® Not Connected
- Bluetooth® Connected
- Phone Call

LED INDICATION

- Blinking
- On
- Fast Blinking
- Fast Blinking
- Slow Flash
- Slow Flash

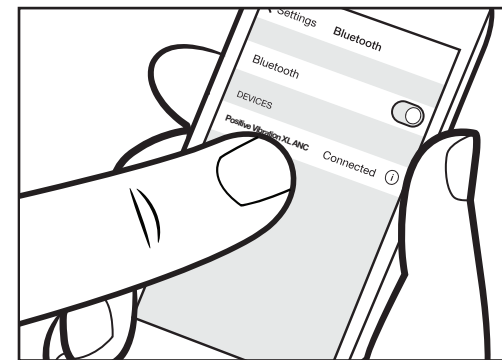
POWER ON/OFF

Allumer/Eteindre / Encendido/Apagado / Ein/Aus / Accensione/
Spegnimento / Aan-/Uitzetten / 電源開/關 / 전원 켜짐/꺼짐 /
電源 ON/OFF



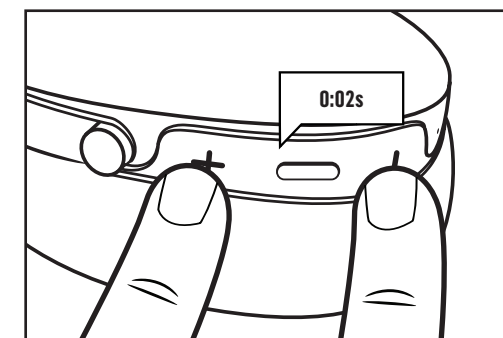
PAIR DEVICE

Coupler Appareil / Vincular Dispositivo / Mit Gerät Kopplern
/ Accopia Dispositivo / Met apparaat koppelen / 配對設備 /
플기 페어링 / デバイスのペアリング



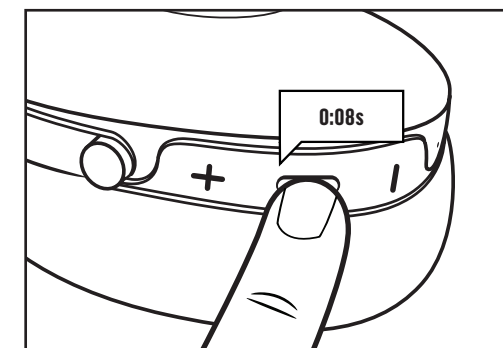
PAIR NEW DEVICE

Coupler Nouvel Appareil / Vincular Nuevo Dispositivo /
Mit Neum Gerät Koppeln / Accoppia Nuovo Dispositivo /
Met nieuw apparaat koppelen / 配對新設備 / 새 기기 페어링 /
新規デバイスのペアリング



CLEAR PAIRING

Effacer le Couplage / Borrarr Vincular / Löschen eines
Bluetooth®-Geräts / Elimina l'associazione / Koppeln wissen /
刪除配對 / 페어링 해제 /ペア링의解除



QUICK START GUIDE POSITIVE VIBRATION XL ANC

TheHouseofMarley.com

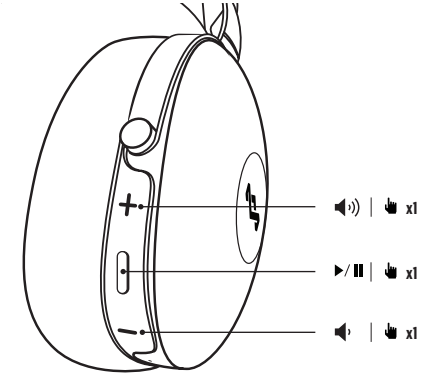
BOB MARLEY™
MARLEY™
BOBMARLEY.COM

©Fifty-Six Hope Road Music Ltd. 2011-2020.
Right of Publicity and Persona Rights.
Fifty-Six Hope Road Music Ltd. EM-JH151

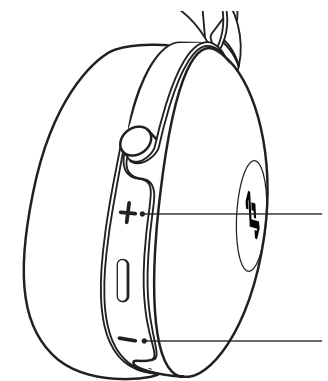
Marley, the Marley logo, Bob Marley and the Bob Marley logo are registered trademarks of Fifty-Six Hope Road Music Limited and any use of such marks by The House of Marley is under license. The Bluetooth® word mark and logos are registered trademarks owned by Bluetooth SIG, Inc. and any use of such marks by House of Marley is under license.

MUSIC CONTROL 🎵

Controle de la Musique / Control de la Musica / Kontrolle der Musik / Controllo della Musica / Muziekbediening / 音楽制御 / 음악 제어 / ミュージックコントロール



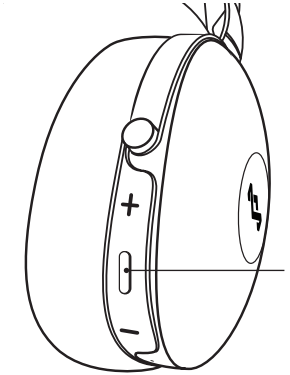
- 🔊 | 🖱️ x1
- ▶️ || 🖱️ x1
- 🔊 | 🖱️ x1



- ▶️ || 🖱️ 0:02s
- ◀️ 🖱️ 0:02s

MAKE/END PHONE CALLS 📞

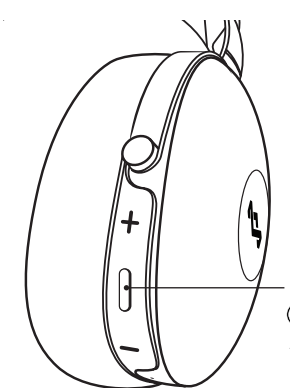
Repondre/Fin / Responder/Colgar / Annehmen/Beenden / Risposta/Fine / Telefoongesprekken voeren/beëindigen /撥打/結束電話 / 전화 걸기/끊기 / 通話의開始・終了



- 📞 / 📞 | 🖱️ x1

ACCEPTING/REJECTING PHONE CALLS 📞

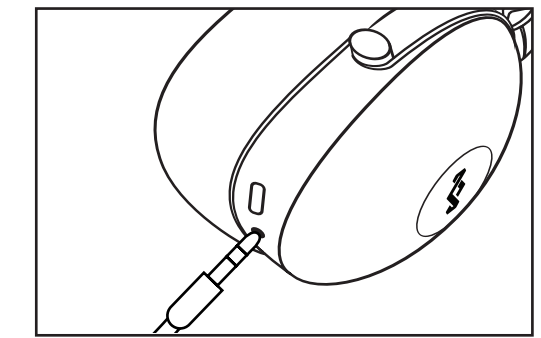
Repondre/Fin / Responder/Colgar / Annehmen/Beenden / Risposta/Fine / Telefoongesprekken voeren/beëindigen /撥打/結束電話 / 전화 걸기/끊기 / 通話의開始・終了



- 📞 | 🖱️ x1
- 📞 | 🖱️ 0:02s
- 📞 | 🖱️ 0:02s

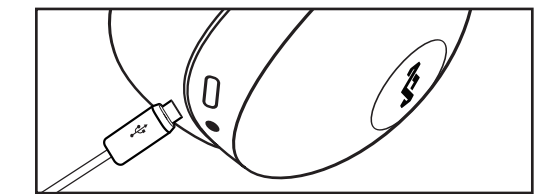
3.5 STEREO LINE IN JACK 🎧

Câble Audio Aux Jack 3.5mm / Conector De 3,5mm En Línea / Cavo Da 3,5mm / 3,5mm Klinke / 3.5 Stereo Lijn in de aansluiting / 3.5音源接口 / 3.5 스테레오 라인 입력 단자 / 3.5 mm 스테레오 라인 입력 잭



CHARGING 🔋

Charge / Carga / Aufladen / Carica / Opladen / 正在充電 / 충전 중 / 充電中



STATUS

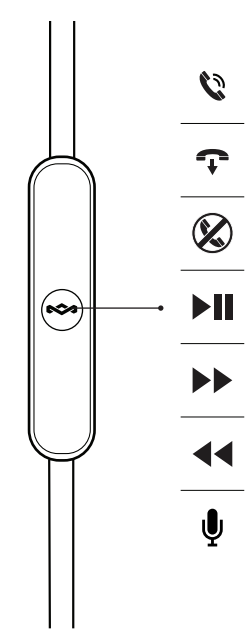
- 🔋 Low Power
- 🔋 Charging
- 📶 Pairing Mode
- 📶 Bluetooth® Not Connected
- 📶 Bluetooth® Connected
- 📞 Phone Call

LED INDICATION

- 🔴 Blinking
- 🔴 On
- 🔴🔵 Fast Blinking
- 🔵 Fast Blinking
- 🔵 Slow Flash
- 🔵 Slow Flash

CABLE FUNCTIONALITY 🎧

Fonctionnalité Du Câble / Funcionalidad De Cable / Funzionalità Del Cavo / Kabel Funktionalität / Kabel-funktionaliteit / 纜線功能 / 케이블 기능 / 케이블의機能



LEGEND

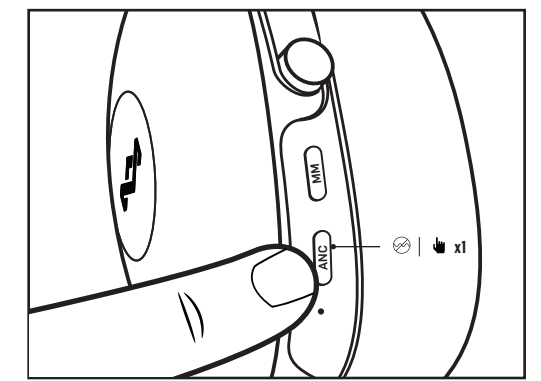
- 📞 Answer Call
- 📞 End Call
- 📞 Reject call
- ▶️ || Play/Pause
- ▶️ Forward Track
- ◀️ Backward Track
- 🎤 Voice Siri/Google

ACTION

- 🖱️ x1
- 🖱️ x1
- 🖱️ 0:02s
- 🖱️ x1
- 🖱️ x2
- 🖱️ x3
- 🖱️ 0:03s

ANC ACTIVATION 🎧

Activation du mode ANC (annulation active du bruit) / Activación de ANC / ANC-Aktivierung / Attivazione ANC / ANC activating / 騒動ANC / ANC 활성화 / ANCアクティベーション



To turn ANC ON and Off press the ANC Button Once

earchit enditiscia enita venen harchillate vella sequiassende idi id no doluptiatum ut officianus, tem iduciis dolupta sendisquas audaesti volorem nate iuscit alitios volorro doloritas molorem volorempeidit quid quidem corepro essum que liquossitas andusa neste rest ipiet quam, quia nobis et ipit arunt maiori non re consed no omnin ut parcinus pos apelibeate posam, omnihitae voluptatur, sit qui ducit que sit autatem rerum explan invenis inus, suntemp oratur?

Ressent iaerun el illab ipsaeri vollor audant officia que volenis sim que volorum, corro ten quo milite nimi, sequid quibusan non ren sim doluptatqui rest, sa non eruptas simaio cum quiatet pos volut alibus moluptae nimi, il inaxima gnihillaut es aut hillor molupta dolorios aut del etum sae volupta velit, sedis solorest quo evel mosae doluptan dest maioreperum aliquunt parunqui doluptis dit officii voluptus, sim dis mi, esequo omnitio. Neque es volor sitataspe liqueae nust voles ren sunt qui volectur asped eatio blaut aute nessequi tenque ent, temporerian excea nonsequas que earum qui dolor sunt quo eos aut ius modicup ictimit qui ut aut utecus doluptatione nonse nis et omnihil lorepernatus es dia nonsend enoluptium omnihitas maximus id que doloreiur roerovidi nonsenis simpos et descimi, aut quatisti inillor milian, onmos quaspiet perrun que ex etur, quantia none doluptionet liquasi miliquibus dollaccum fuga. Icipsanda nobis reptat et, illi eatibus, ea con non perci renitio. Et lique net qui ad mosae. Magnis autestia sunt.

Ehis nus dipsum nonectus repel illorepe od maximo volorro voloriostrum inumquate nonecte a volor sun quatur aspersped unt quassus, occus, sam, sun quatur aturitat.

Cipsan re latis millenderum earchil latius expedi to culpa voluptatur?

Ita possun volupta tatus, sandissent.

Officii doluptatur, illi harupta tinvellabo. Bo. Int ut fugitis et volorem olorest ionsequane solori velia volorestium

