



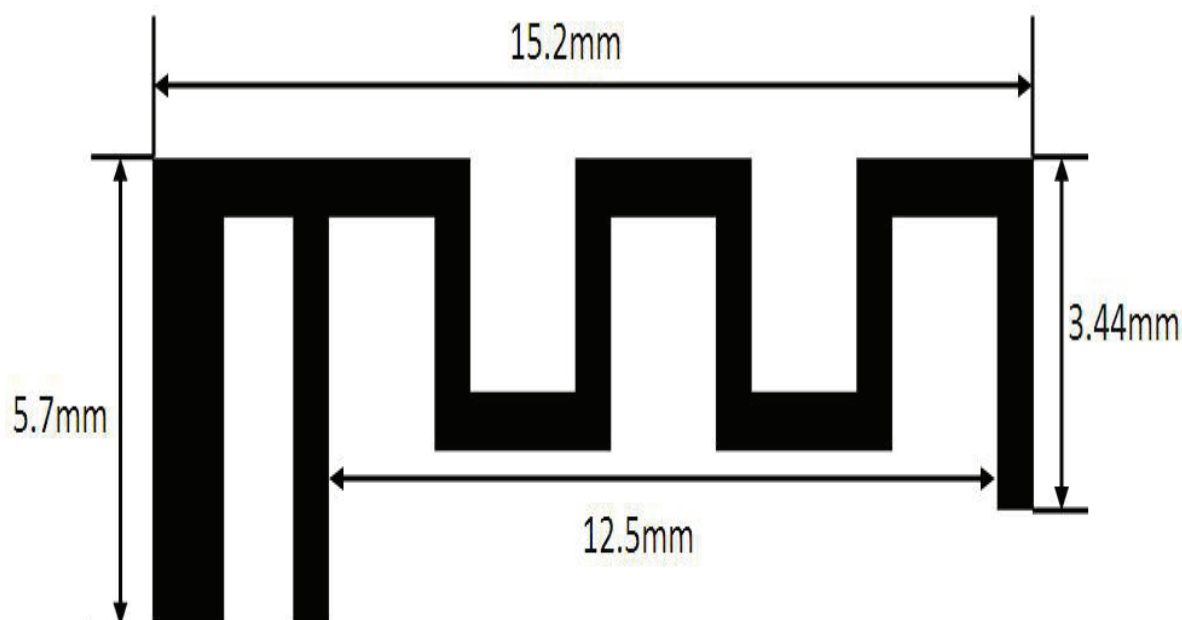
Antenna describe

1. Antenna describe:

Antenna plate	Monoploe antenna
Make name/model name	PCB
Antenna gain	-0.1dBi
Frequency range	2.4GHZ-2.483GHZ
Connector type	direct
Location of measurement (company name)	SHENZHEN SHIXINZHONGXIN TECHNOLOGY.CO.,LTD Ji'an City Suichuan County Industrial Park East Xintonglian electronics industrial Park.

2. External view drawing:

Picture of antenna

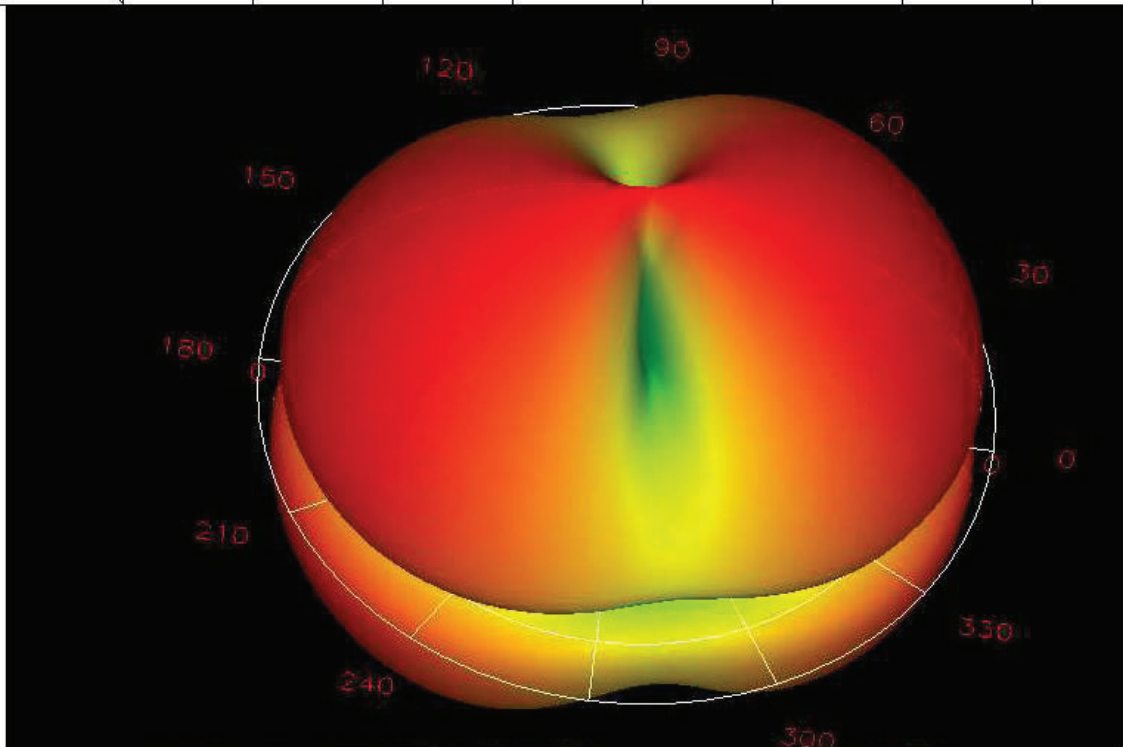


3. Antenna Radiation Pattern

Radiation pattern@2.402GHZ

Total Average Gain:-0.475dbi

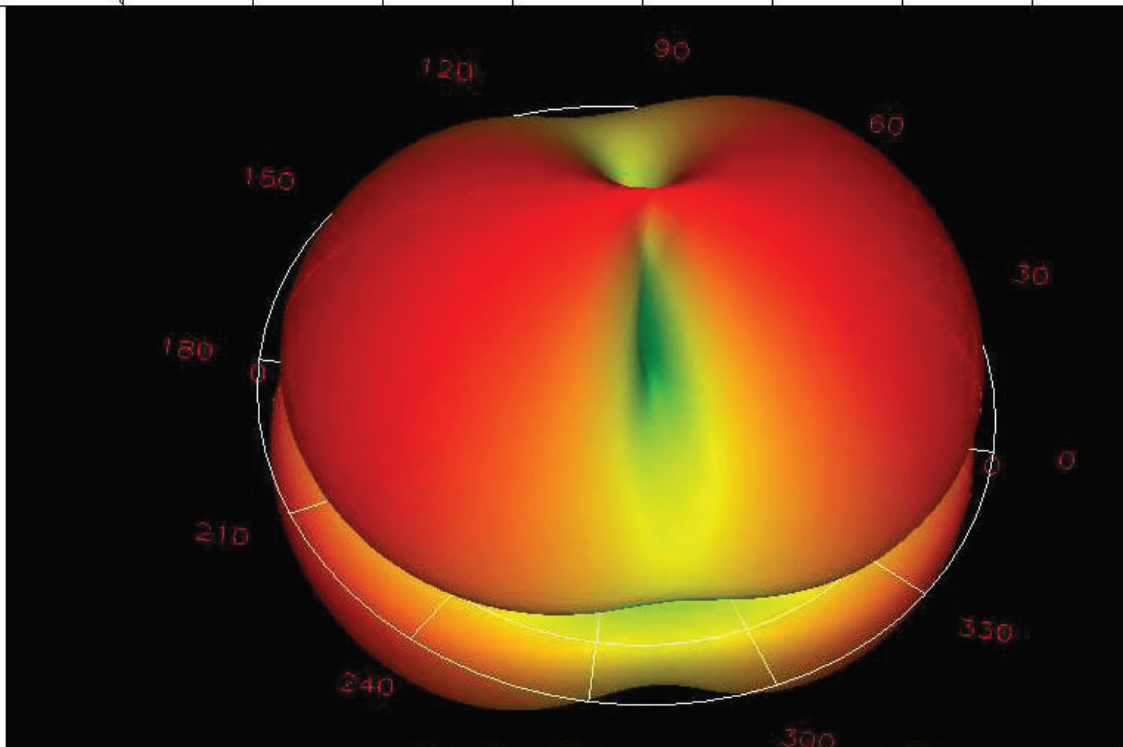
Phi	0	45	90	135	180	235	270	315
Gain	-0.1	-0.3	-0.8	-0.5	-0.2	-0.6	-0.8	-0.5



Radiation pattern@2.441GHZ

Total Average Gain:-0.275dbi

Phi	0	45	90	135	180	235	270	315
Gain	-0.1	-0.3	-0.8	-0.5	-0.2	-0.6	-0.8	-0.5



Radiation pattern@2.480GHZ

Total Average Gain:-0.237dbi

Phi	0	45	90	135	180	235	270	315
Gain	-0.1	-0.3	-0.8	-0.5	-0.2	-0.6	-0.8	-0.5

