

THE FASTEST  
CONNECTION  
IS HERE



4G

# 4G LTE Antenna

## WG-UMB-TC883+Resistor



Frequency :698-806/806-894/1710-1755/1850-1995/2110-2155/2400-2700MHz.

Gain : 3dBi

V.S.W.R : <1.5:1

Impedance : 50 ohm

Input power: 10 W

Cable : RG174-2.5M (OPTIONAL)

Material : ABS

Integrated resistor-24K9 1% ohm

Connector :MMCX/M)

Type: Patch Type

Weight:60g

Temperature:-20°C to + 65°C

© 2016 EVERCOM COMMUNICAITON TECHNOLOGY CO., LTD.

No.108 Jiesin St. Taoyuan District Taoyuan City 33063, Taiwan R.O.C.

Tel: +886-3- 376- 5678 Fax: +886-3- 376- 5319 E-Mail: [service@evercomtech.com](mailto:service@evercomtech.com)



ISO 9001

THE FASTEST  
CONNECTION  
IS HERE



4G

Test / Position	Gain /Free Space					
Frequency	700	800	900	1800	2100	2600
Ant. Port Input Pwr. (dBm )	0	0	0	0	0	0
Tot. Rad. Pwr. (dBm )	-1.90	-1.55	-1.76	-2.24	-2.09	-2.90
Peak EIRP (dB )	2.81	3.06	2.54	2.97	3.79	3.59
Directivity (dBi)	4.72	4.61	4.30	5.21	5.88	6.49
Efficiency (dB)	-1.90	-1.55	-1.76	-2.24	-2.09	-2.90
Efficiency (%)	64.52	70.00	66.69	59.68	61.85	51.33
Gain (dBi)	2.81	3.06	2.54	2.97	3.79	3.59
NHPRP $\pm\pi/4$ (dB)	-3.87	-4.62	-4.82	-4.28	-3.87	-4.49
NHPRP $\pm\pi/6$ (dB)	-6.04	-7.31	-7.36	-6.19	-5.66	-6.46

In free space

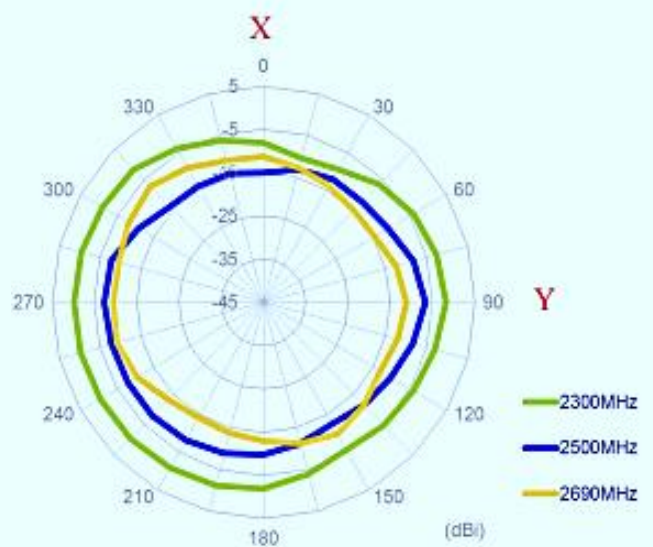
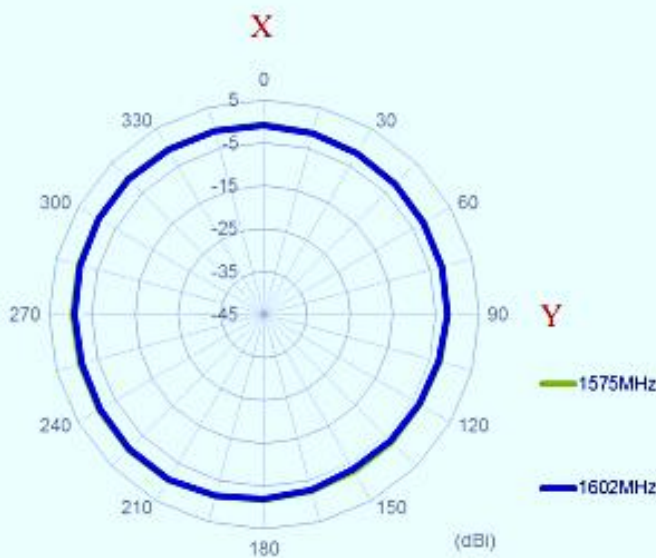
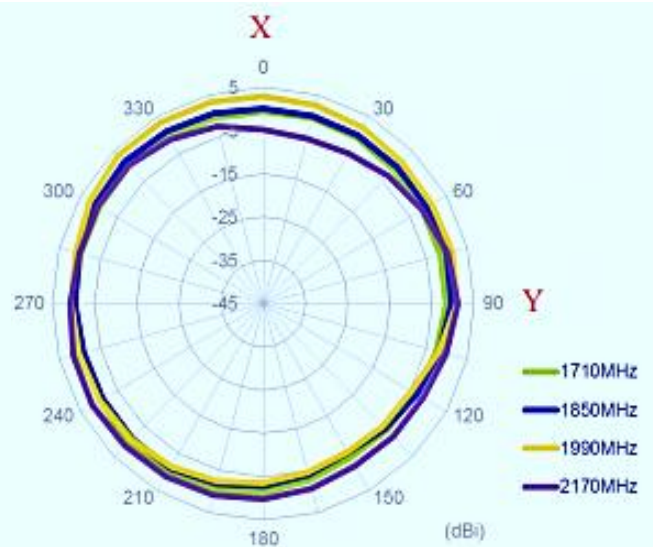
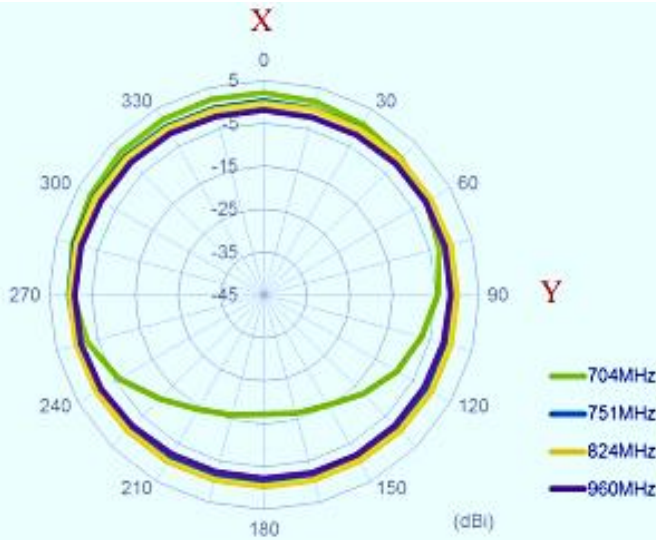


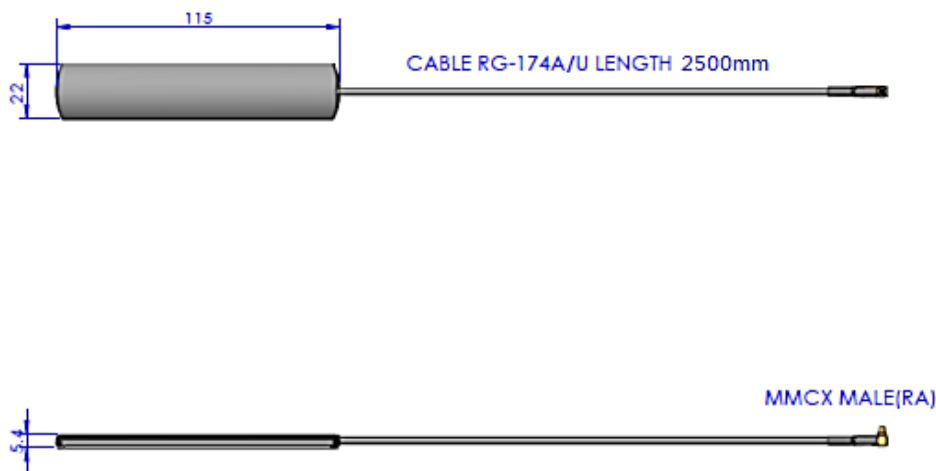
THE FASTEST  
CONNECTION  
IS HERE.



**EVERCOM**  
COMMUNICATION

**4G**





EVERCOM COMMUNICATION TECHNOLOGY CO.; LTD

CHECKED BY

APPROVAL BY

DESIGNED BY

SCALE

UNIT

MODEL NAME

MODEL NO.

UMB-Tc883MMCX(RA)M2.5

C.H.C

1 : 2

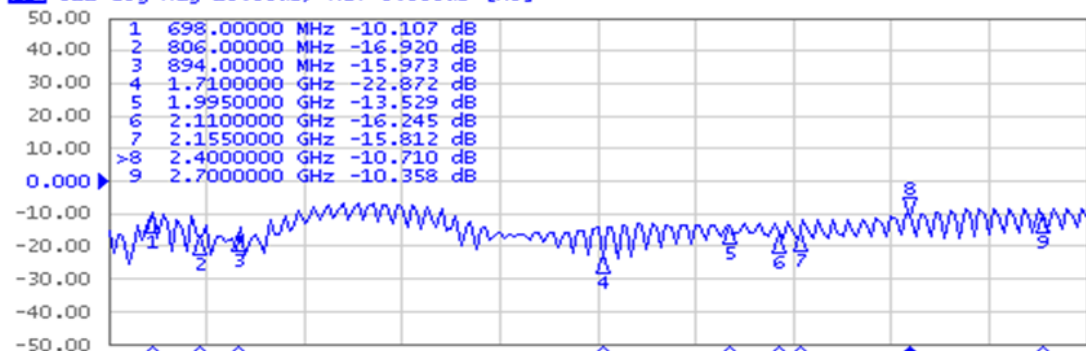
mm

20160820

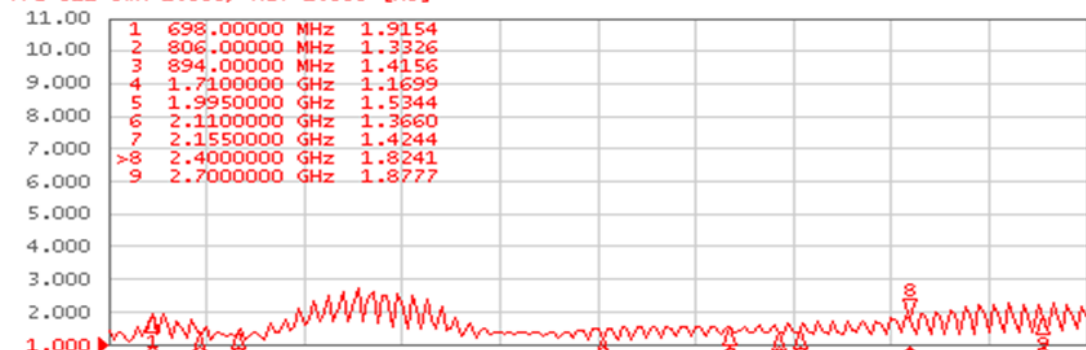
1 Active Ch/Trace 2 Response 3 Stimulus 4 Mkr/Analysis 5 Instr State

Evercom Communication Technology Co.,Ltd.

Tr3 S11 Log Mag 10.00dB/ Ref 0.000dB [R0]



Tr2 S11 SWR 1.000/ Ref 1.000 [R0]



1 Start 600 MHz

IFBW 70 kHz

Stop 2.8 GHz

Cor !

Meas

Stop

ExtRef

Ready

Svc

2016-07-14 10:02

System



Print

Abort Printing

Printer Setup...

Invert Image

ON

Dump Screen Image...

Multiport Test Set Setup

Misc Setup

Backlight

ON

Firmware

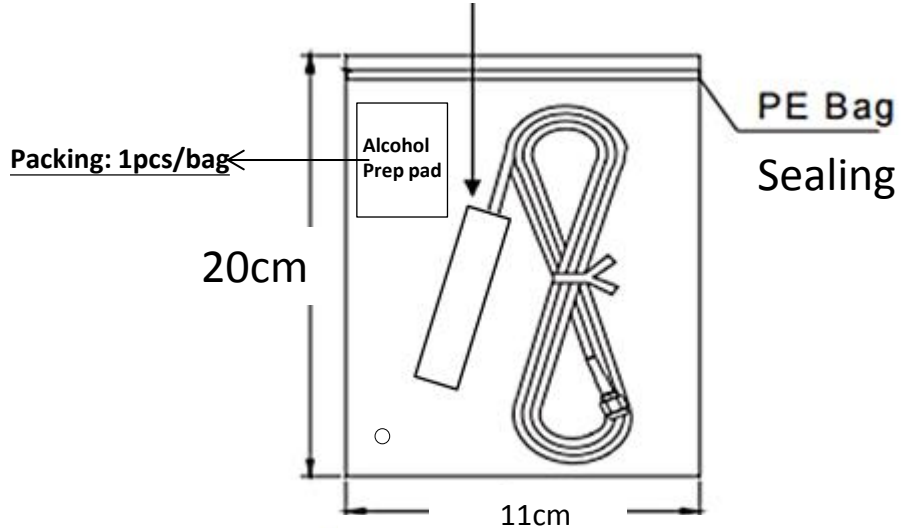
Revision





**1 pcs antenna PE bag/ each**

TC-883



Paking:1(pcs/bag)

**\*100 pcs Bulk per carton**  
**Carton Dimensions:40\*30\*20cm**

