

1.4 Block diagrams

The block diagrams of the ELLA-W1 series are provided in this section. These block diagrams are valid for both professional and automotive grade variants.

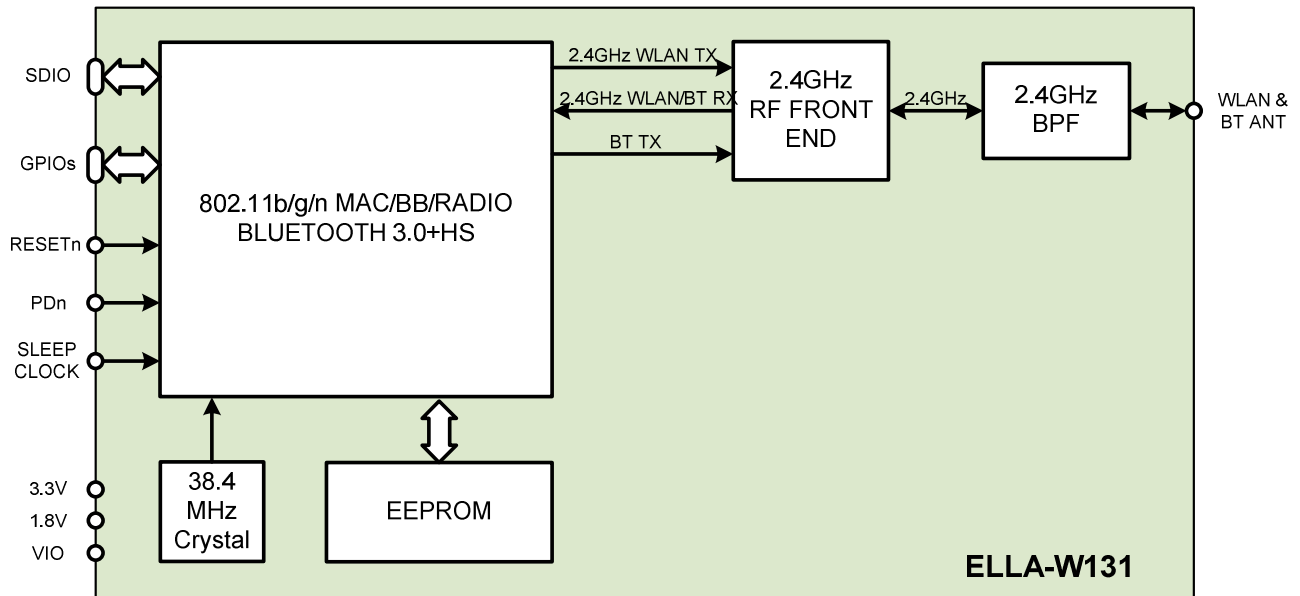


Figure 1: ELLA-W131 block diagram

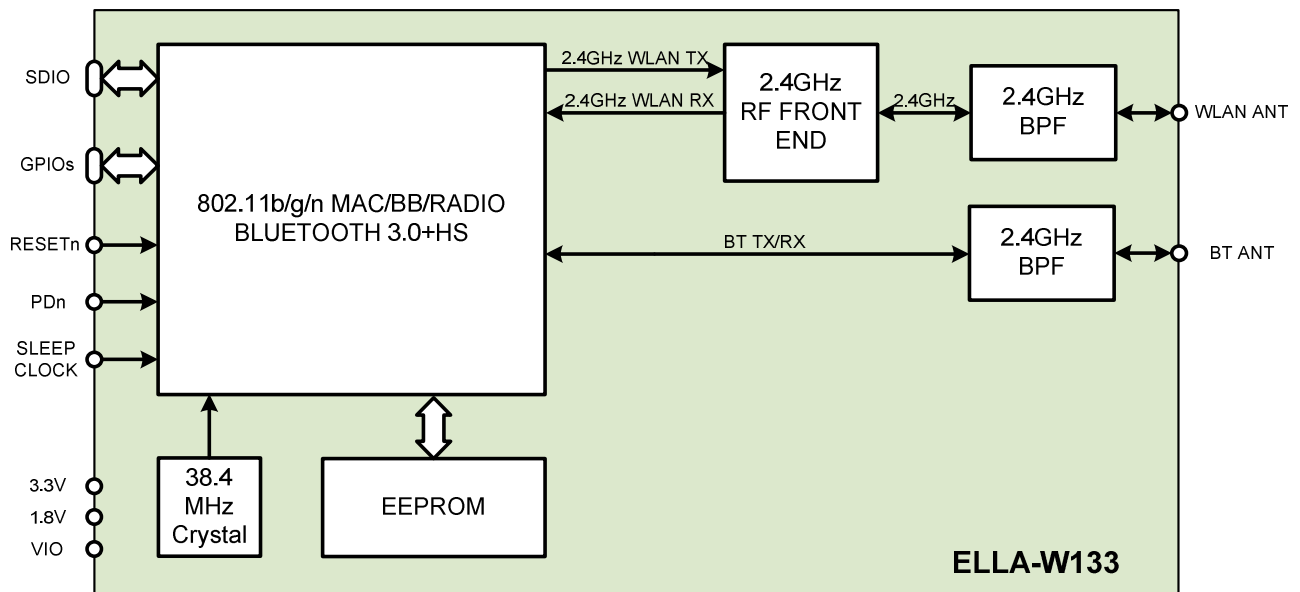


Figure 2: ELLA-W133 block diagram

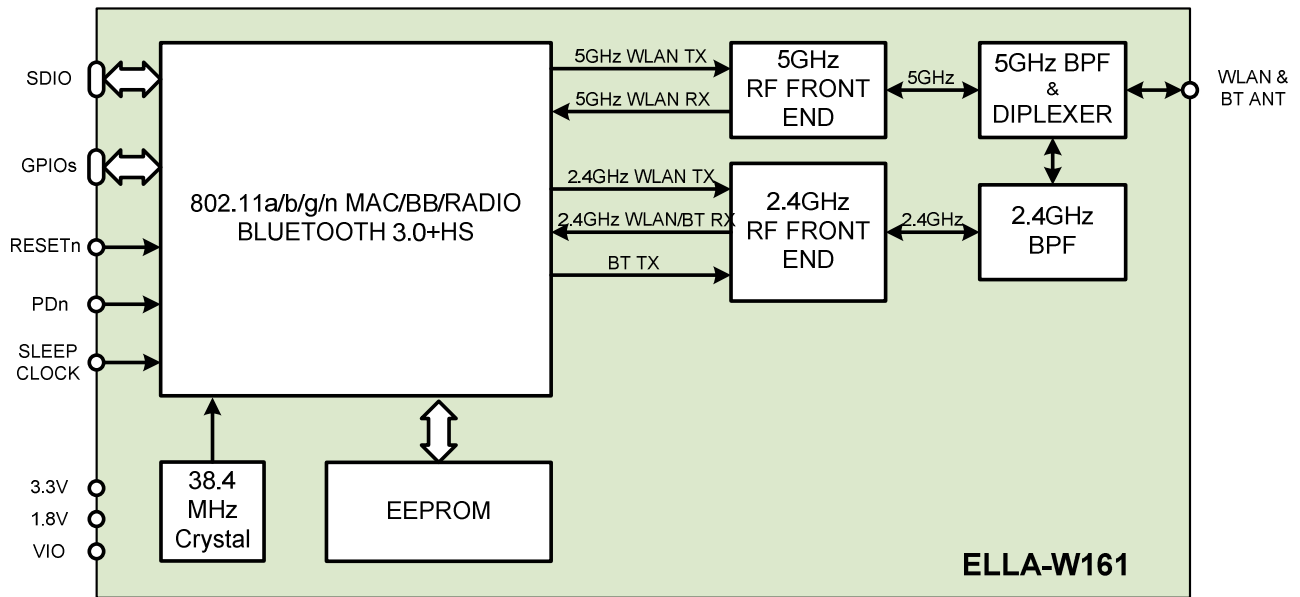


Figure 3: ELLA-W161 block diagram

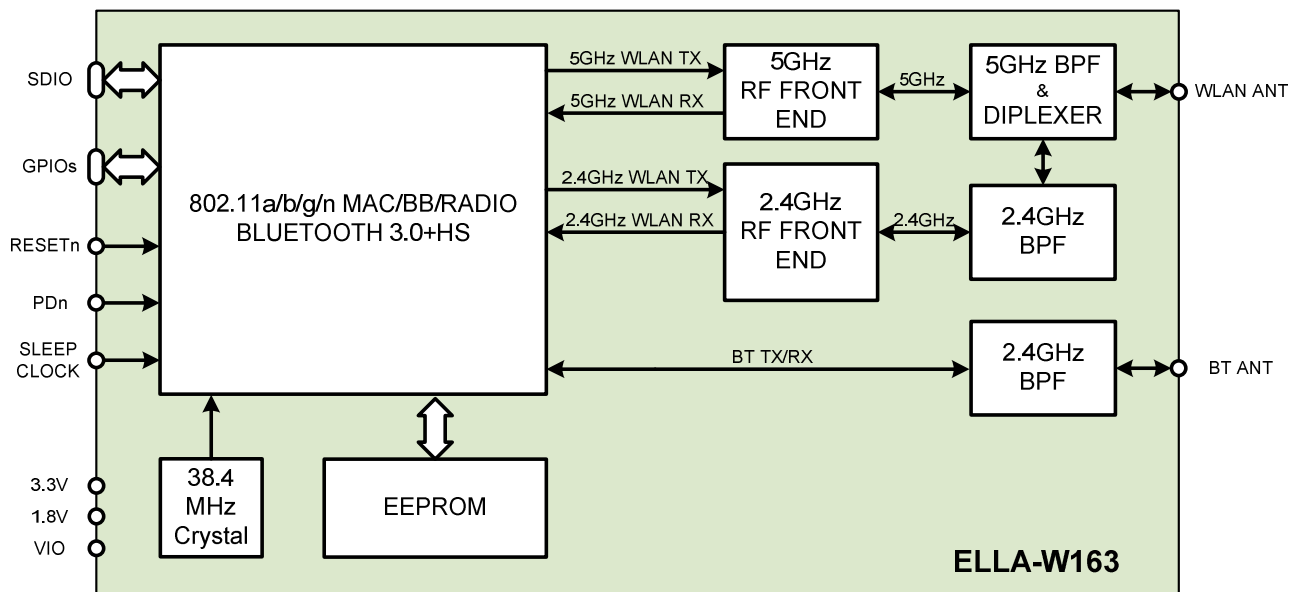


Figure 4: ELLA-W163 block diagram