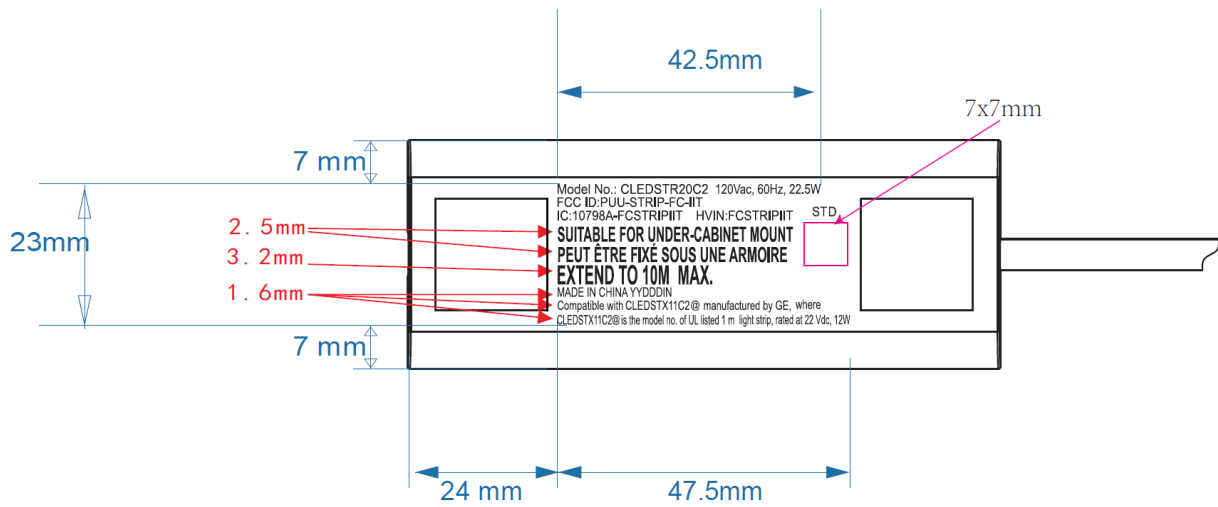


# EXHIBIT A - FCC ID LABEL AND LOCATION

## FCC ID Label



## FCC ID Label Location Information



The label shown shall be permanently affixed at a conspicuous location on the device and be readily visible to the user at the time purchase (Labeling requirements per 2.925)