

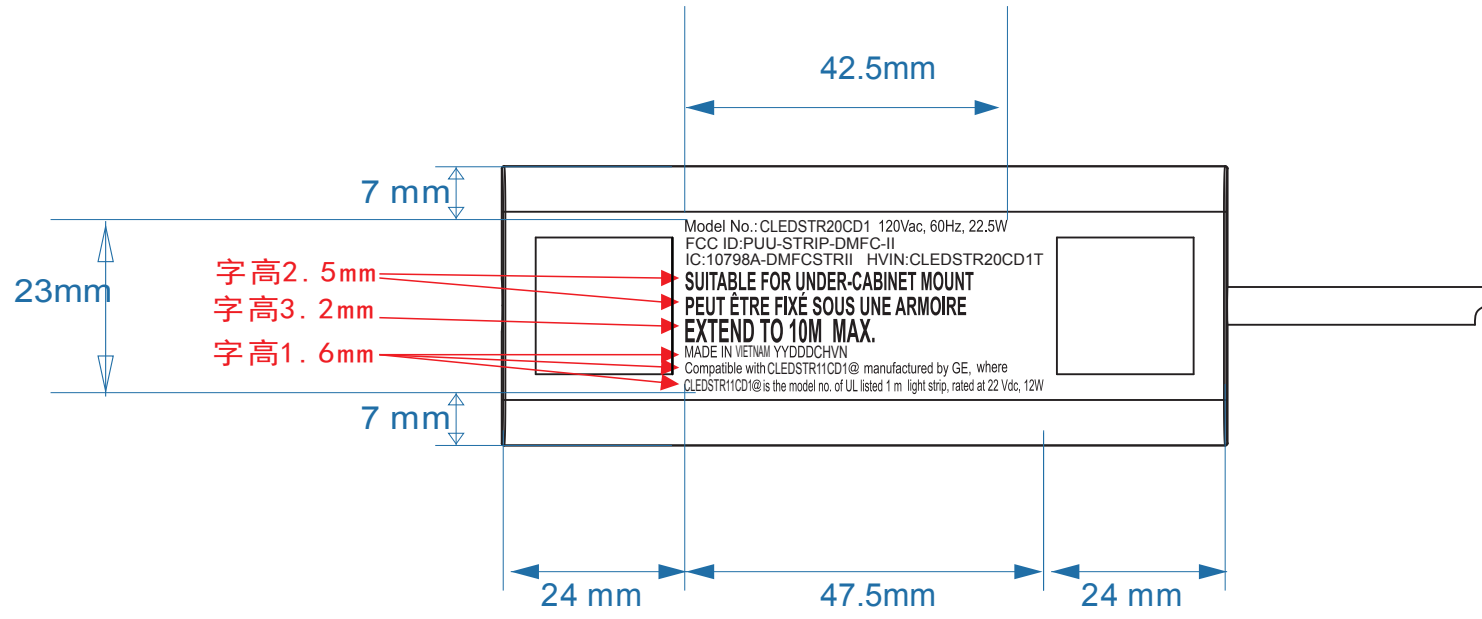
Label Location Information

Refer to the below red arrow:

(For example)



F		G		
NO	ECN No.	DESCRIPTION	ISSUER	DATE
1.				
2.				



字高2.5mm
 字高3.2mm
 字高1.6mm

“YYDDDDCHVN”
 YY为年，DDD为一年中的第几日，
 CHVN为越南长虹的代码
 具体时间随订单要求时间变化



镭雕

技术要求:

1. logo清晰、不允许出现漏印、烧焦、白点、边沿模糊等不良现象。
2. 公差 $\pm 0.5\text{mm}$

ANGLE	RANGE	>0°5	>5°20	>20°50	>50°100	>100°200	>200°500	>500
±0.1°	A	±0.05	±0.10	±0.15	±0.20	±0.30	±0.40	±0.60
	B	±0.10	±0.20	±0.30	±0.50	±0.80	±1.30	±2.00
SIZE		SCALE		1:1		View angle		
WEIGHT	N/A	Material	Color&Finish		电源模块驱动板下壳		Unit	mm
DESIGNED	贺伟	2020-12-15	Part Name	镭雕		Drawn No.	JUB8.080.1726	
CHECKED			Project Name			VERSION	VO	