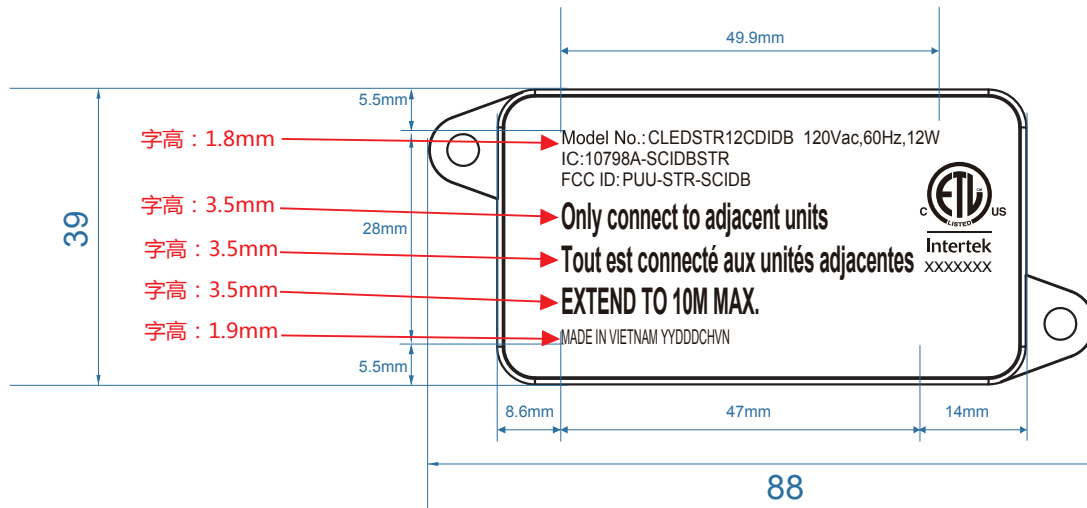




NO	ECN No.	DESCRIPTION	ISSUER	DATE
1.				
2.				



镭雕

技术要求:

1. logo清晰、不允许出现漏印、烧焦、白点、边沿模糊等不良现象。
2. 公差: +/-1mm

ANGLE	RANGE		SCALE	1:1	View angle	Unit	Page
	GRADE						
	A					m m	
	B						
SIZE	N/A						
WEIGHT			Material	value	镭雕		
DESIGNED	管海兰	2021-11-24	Color&Finish			1/1	
CHECKED			Part Name	镭雕		Drawn No.	JUB8.080.1849
APPROVED			Project Name		VERSION	V1.0	