

Additional Information and Warnings

FCC Compliance Statement:

▲ Warning: Changes or modifications to this unit not expressly approved by the party responsible for compliance could void the user's authority to operate the equipment.

Note: This equipment has been tested and found to comply with the limits for a Class B digital device, pursuant to Part 15 of the FCC Rules. These limits are designed to provide reasonable protection against harmful interference in a residential installation. This equipment generates, uses and can radiate radio frequency energy and, if not installed and used in accordance with the instructions, may cause harmful interference to radio communications.

However, there is no guarantee that interference will not occur in a particular installation. If this equipment does cause harmful interference to radio or television reception, which can be determined by turning the equipment off and on, the user is encouraged to try to correct the interference by one or more of the following measures:

- Reorient or relocate the receiving antenna.
- Increase the separation between the equipment and receiver.
- Connect the equipment into an outlet on a circuit different from that to which the receiver is connected.
- Consult the dealer or an experienced radio/TV technician for help.

The device must not be co-located or operating in conjunction with any other antenna or transmitter. This device complies with Part 15 of the FCC Rules. Operation is subject to the following two conditions:

(1) this device may not cause harmful interference, and (2) this device must accept any interference received, including interference that may cause undesired operation.

FCC RF Radiation Exposure Statement:

To maintain compliance with the FCC's RF exposure guidelines, place the product at least 20cm from nearby persons.

IC Statement:

This device complies with RSS247 of Industry Canada. Cet appareil se conforme à RSS247 de Canada d'Industrie.

This device complies with Industry Canada license-exempt RSS standard(s). Operation is subject to the following two conditions:

(1) this device may not cause interference, and (2) this device must accept any interference, including interference that may cause undesired operation of the device.

Appareils radio exempts de licence. Son fonctionnement est sujet aux deux conditions suivantes: (1) le dispositif ne doit pas produire de brouillage préjudiciable, et (2) ce dispositif doit accepter tout brouillage reçu, y compris un brouillage susceptible de provoquer un fonctionnement indésirable.

This equipment complies with IC RSS-102 radiation exposure limits set forth for an uncontrolled environment. This transmitter must be installed to provide a separation distance of at least 20cm from all persons and must not be collocated or operating in conjunction with any other antenna or transmitter.

Cet équipement est conforme aux limites d'exposition aux rayonnements IC RSS-102 définies pour un environnement non contrôlé. Cet émetteur doit être installé pour fournir une distance de séparation d'au moins 20 cm de toutes les personnes et ne doit pas être colocalisé ou fonctionner en conjonction avec une autre antenne ou émetteur.

Like your new Indoor Dynamic Effects Neon Rope Light? Share your creations!

Upload a photo or video of your space with your entertainment lights to inspire others at gelighting.com/cync.



Indoor Dynamic Effects Neon Rope Light Installation Guide

Easy Set Up



Connect to the Cync App, powered by Savant



Decide on the shape/layout of your Neon Rope Light



Trim to desired length



Prep surface and install



What You'll Need

1. Drill with 1/8" drill bit (for screw installation)
2. Screwdriver (for screw installation)
3. Hammer (for nail installation)
4. Scissors

Step 1

Set Up in the CYNc App

1. Plug in and power on your Rope Light by pressing the On/Off button on the power supply.
2. Download the Cync App, powered by Savant, on your smartphone.
3. Add your smart lights to the Cync App, then connect to Hey Google or Amazon Alexa voice assistants (sold separately) in the Cync App.

What's Included

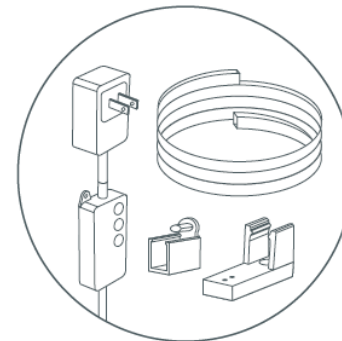
(Devices each sold separately)

10 ft. Neon Rope Light

- 10 ft. Neon Rope Light with control box
- Power supply with plug
- (15) Mounting clips
- (15) Mounting screws
- (30) Mounting nails
- End cap
- Alcohol Wipe

16 ft. Neon Rope Light

- 10 ft. Neon Rope Light with control box
- Power supply with plug
- (15) Mounting clips
- (15) Mounting screws
- (30) Mounting nails
- End cap
- Alcohol Wipe



You Got This!

And we're here to help. For in-depth instructional videos and a guided tour through the installation, go to:

cyncsupport.gelighting.com
or call 1-844-302-2943



Scan here for videos & guided installation steps.



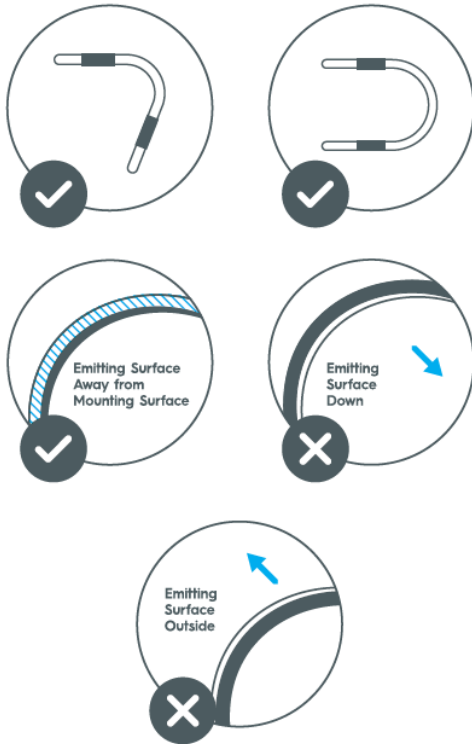
Step 2

Lay Out Your Design & Clip Placement

1. Plan out your design by layout out the rope on the floor.
2. Once you are happy with the design, place clips every 1-ft, adding extra clips at bends for reinforcement. (See bending guidance).

Pro tip: take a picture of your design on the floor to reference as you install.

Rope Light Bending & Clip Reinforcement Options



Step 3

Prep the Surface & Install Your Rope Light

1. Clean and dry surface with provided alcohol wipe.

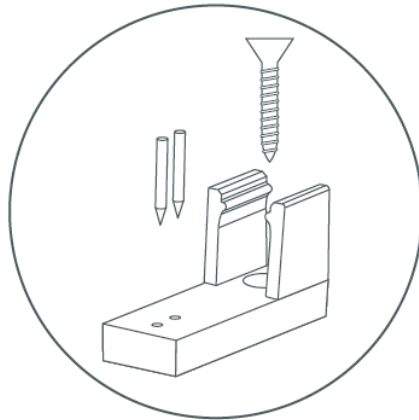
Note: Make sure surface is dry & free of oil contamination. For best results, install strip in temperatures above 50°F/10°C.

2. Install the mounting clips on the wall based on your design needs. For complex designs, you may want to mark the spots on the wall where the clips will go before installing. The open end of the clip should follow the direction the rope light will go.

- Peel back the 3M tape covering and stick the clip to the wall, holding for a few seconds*
- For screw installation: Pre-drill a 1/8" hole through the clip, then drill the screw
- For nail installation: Hammer both trace-less nails into the clip

*Clips are not strong enough to be installed with 3M tape only. They will not be able to support the light without a screw or nails. Additionally, nails and screws will damage walls.

3. Mount the rope light into the clips by snapping the rope light into each clip. To reposition the rope light, unsnap the rope light and reinstall the mounting clip in the desired location.



Final Step

Trim to Size

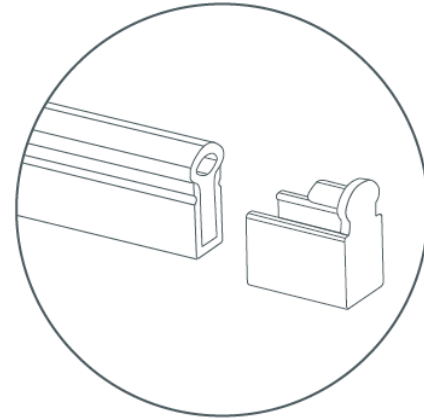
(If desired)

1. After the strip is installed, determine if excess rope needs to be trimmed.
2. With your Rope Light **unplugged**, safely cut where the trim points are indicated in black. The rope can be trimmed every 2.8."

NOTE: Cutting anywhere else will permanently damage the rope.

▲ Make sure the rope light is not plugged in at the wall when cutting.

3. Insert the end cap on the end of the rope light.



Manually Enable Light Shows

(If applicable)

1. Unplug, then plug your rope light back in to detect its new length. This is important for Light Effects.
2. Cycle through light show by pressing the Light Effects button.



Congratulations!

You've completed the Smart Switch installation.

Next...



Download the CYNC App



Add your Smart Lights to the CYNC App



Set up your Alexa or Hey Google voice assistant (optional)

Enable Your Voice Assistant

Connect to your Amazon Alexa or Hey Google voice assistants in the CYNC App.

Then try this...

Alexa, turn off the living room. Hey Google, turn on the lights.
Alexa, turn on the bedroom. Hey Google, good morning.
Alexa, set kitchen to 50% Hey Google, I'm leaving.