

A

B

C

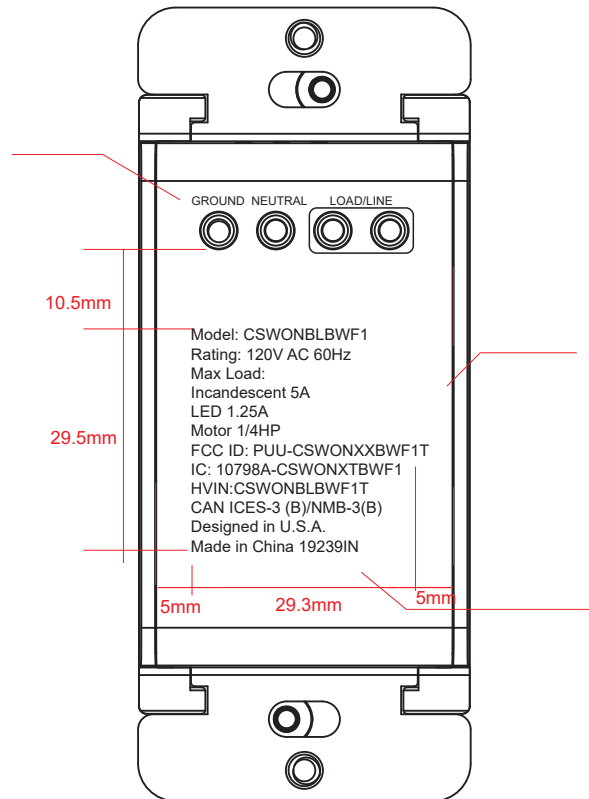
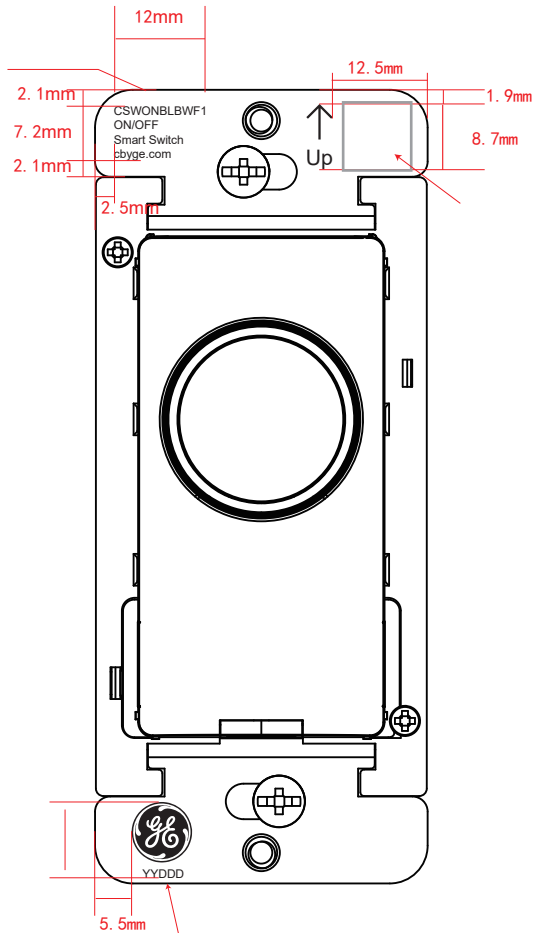
D

E

F

G

NO	ECN No.	DESCRIPTION	ISSUER	DATE
1.				
2.				



1

2

3

4

5

1

2

3

4

5