



# Ceiling Fan Smart Switch Installation Guide

## **⚠ WARNING: RISK OF ELECTRIC SHOCK**

This product installation requires handling 120 volt wiring.  
Follow each step carefully.

If any concerns handling wiring, hire a qualified electrician.  
Ensure all work meets local and federal regulations.

**WARNING:** This control must be installed with an external Isolating Wall Control/Switch in series with the ungrounded conductor, providing an air gap as per ANSI/NFPA 70 article 404

# Simple DIY Setup



**Install**  
your Smart  
Switch



**Download**  
the C by GE app



**Add**  
your Smart Switch to  
the C by GE app



GET IT ON  
**Google Play**



Download on the  
**App Store**

# Compatibility Requirements

Rating 120 V AC 60 Hz

Neutral wire is required (wire is usually white or grey)

Ground wire is required (Wire is usually green, green with a yellow stripe, or copper) 

Wi-Fi 802.11 b/g/n @ 2.4 GHZ is required

Works with compatible ceiling fans. Visit [cbyge.com/compatibility](http://cbyge.com/compatibility)

# Let's Do It

## INCLUDED



Switch



Wall Plate



4 Wire Nuts



4 Phillips  
Mounting Screws

Line

Load

Ground 

Neutral



Wire Labels

## YOU'LL NEED



Phillips Screwdriver



Needle Nose Pliers  
(recommended)



Voltage Tester  
(recommended)



Approximately  
30 minutes of your day  
to install and setup  
the switch

# You Got This!

And we're here to help.

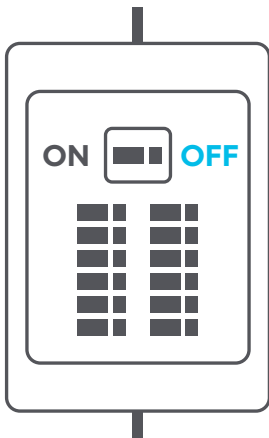
For in-depth instructional videos and a guided tour through the installation, go to [cbyge.com/switch-support](https://cbyge.com/switch-support).

**NOTE:** Please make sure your system is up-to-date and you update the firmware when prompted for the best experience.

# BEFORE YOU DO ANYTHING: Step 1

## Turn Off The Power!

1. Turn off the power for the switch location at the circuit breaker box.
2. Test existing switch by toggling switch on/off, ensuring lights do not turn on.
3. Now, follow these setup steps for a single gang switch.



## STEP 2

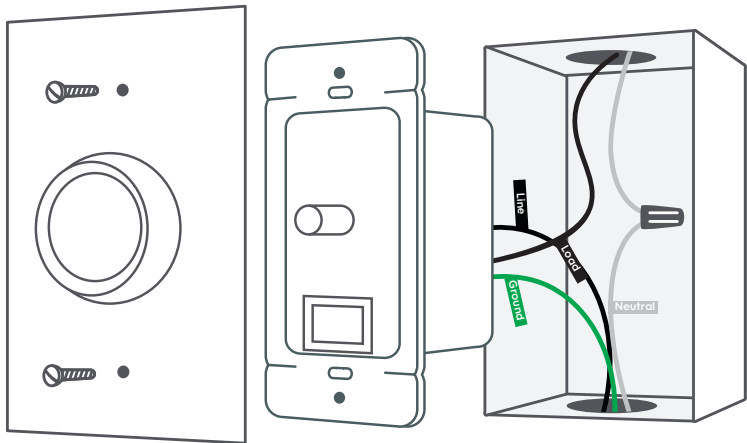
# Remove Your Old Switch

1. Remove the existing wall plate and switch from the wall.
2. Use voltage tester on the black wires to confirm power to the switch is off (recommended).
3. Before disconnecting the wires from the wall, label each with the provided wire labels.

**⚠ Neutral and ground wires are required.**  
If you don't have either wire, the C by GE Fan Control Switch is not compatible.

4. Disconnect wires and remove existing switch.






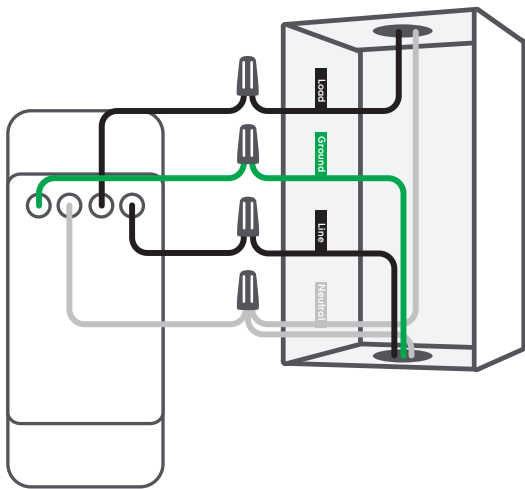
Wire Labels

## STEP 3

# Connect The Wires

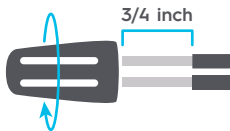
1. Connect the neutral (white) wire on the switch to the neutral (white label) wire from the wall.
2. Connect the line (black) wire on the switch to the line (black label) wire from the wall.
3. Connect the load (black) wire on the switch with the load (black label) wire from the wall.
4. Connect the ground  (green) wire on the switch with the ground (green label) wire from the wall.
5. Cap the 3-way/multi-way traveler wire (if applicable).  
For 3-way switch setup, visit [cbyge.com/switch-support](http://cbyge.com/switch-support)

**⚠ Attention: Incorrectly connecting the Neutral or Ground wire from the wall to the Line or Load wire on the switch will damage the product.**



### USING WIRE NUTS

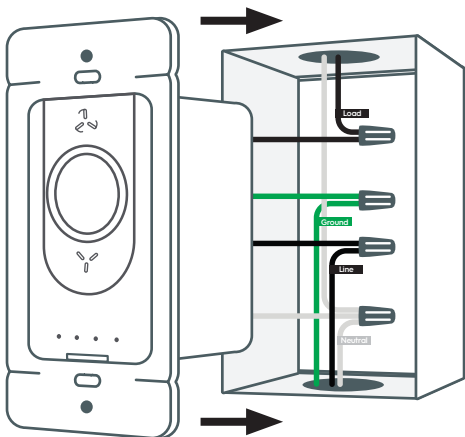
1. Insert wires into wire nut.
2. Turn wire nut clockwise.
3. Pull gently on wires to test connection.



## STEP 4

# Fit Wires Into Wall Box

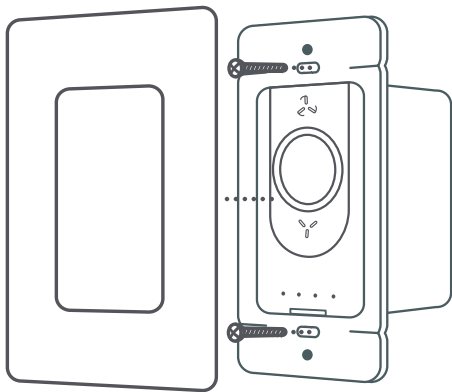
Neatly push the wires back into the box, rotating the switch so it's oriented according to the image.



## STEP 5

# Secure The Switch

1. Using a Phillips screwdriver and the screws provided, secure the switch to the wall until level and flush.
2. Screw on the faceplate bracket, then snap the faceplate cover onto the bracket.

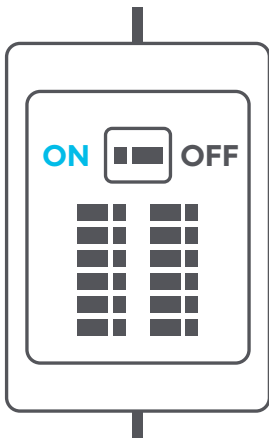


## STEP 6

# Turn The Power Back On

After the switch is secured and faceplate mounted, turn the power back on at the circuit breaker box.

At the switch, the LED indicator will flash blue indicating the device is wired correctly and the device is in set up mode.



**LED indicator light or light ring will flash blue until the switch is added to the C by GE app.**

**LED indicator light or light ring will not illuminate if wired incorrectly.**

### **TROUBLESHOOTING IF FAN DOESN'T TURN ON:**

1. Check that power to the switch is on at the breaker.
2. Turn power off at the breaker, return to the switch to confirm the wires are securely and properly wired according to the installation guide.
3. Go to [cbyge.com/switch-support](https://cbyge.com/switch-support) for more troubleshooting.

# Congratulations!

You've completed the Smart Switch installation.

## Next...



**Download**  
the C by GE app



**Add**  
your Smart Switch to  
the C by GE app



**Setup**  
your Alexa or  
Google voice  
assistant (optional)



# Enable Your Voice Assistant

## Amazon Alexa

To setup, open the Alexa app, search for the C by GE skill, follow the setup instructions.

### Try this...

Alexa, turn off the living room.

Alexa, turn on the bedroom.

Alexa, set fan to speed 3.

## Google Assistant

To setup, open the Google Assistant or Google Home app, search for the C by GE action, follow the setup instructions.

### Try this...

Okay Google, turn off the fan.

Okay Google, I'm leaving.

Okay Google, turn fan up.

# **Additional Information and Warnings**

## **FCC Compliance Statement Compliance Notice:**

This equipment has been tested and found to comply with the limits for a Class B digital device, pursuant to part 15 of the FCC Rules. These limits are designed to provide reasonable protection against harmful interference in a residential installation. This equipment generates, uses and can radiate radio frequency energy and, if not installed and used in accordance with the instructions, may cause harmful interference to radio communications. However, there is no guarantee that interference will not occur in a particular installation. If this equipment does cause harmful interference to radio or television reception, which can be determined by turning the equipment off and on, the user is encouraged to try to correct the interference by one or more of the following measures:

- **Reorient or relocate the receiving antenna.**
- **Increase the separation between the equipment and receiver.**
- **Connect the equipment into an outlet on a circuit different from that to which the receiver is connected.**
- **Consult the dealer or an experienced radio/TV technician for help.**

**This device complies with Part 15 of the FCC Rules and Industry Canada license-exempt RSS standard(s). Operation is subject to the following two conditions:**

- 1. This device may not cause harmful interference.**
- 2. This device must accept any interference received, including interference that may cause undesired operation.**

**Changes or modifications that are not expressly approved by the manufacturer could void the user's authority to operate the equipment.**

Cet appareil est conforme à la partie 15 des règlements de la FCC et aux normes RSS sur les appareils exempts de licence du ministère de l'Industrie du Canada. Le fonctionnement de ce produit est assujéti aux deux conditions suivantes :

1. Cet appareil ne doit pas causer d'interférences nuisibles;
2. Cet appareil doit accepter toute interférence reçue, y compris celles pouvant causer un fonctionnement indésirable.

Tout changement non expressément autorisé par le fabricant peut annuler les droits de l'utilisateur d'utiliser cet équipement.

## **RF Exposure Information:**

This equipment complies with FCC radiation exposure limits set forth for an uncontrolled environment. In order to avoid the possibility of exceeding the FCC radio frequency exposure limits, human proximity to the antenna shall not be less than 8 inches during normal operation.

## **RF Exposure Statement:**

This equipment complies with IC RSS-102 radiation exposure limits set forth for an uncontrolled environment. This transmitter must be installed to provide a separation distance of at least 8 inches from all persons and must not be collocated or operating in conjunction with any other antenna or transmitter.

## **Déclaration relative à l'exposition aux radiofréquences :**

Cet équipement est conforme aux limites d'exposition aux rayons de la norme IC RSS-102, définies pour un environnement non contrôlé. Cet émetteur doit être installé à au moins 20 cm (8 po) de toutes les personnes et ne doit pas être colocalisé ou fonctionner conjointement avec une autre antenne ou un autre émetteur.



## **CAUTION**

**For supply connections, use copper wire only rated at 75C.**

**High Voltage - Disconnect power supply before servicing**

**Operation temperature: 0-40°C**

**Type 1 Enclosure**

**IP20**

**Pollution Degree 2**

**Impulse Voltage: 2500V**

**Type 1 action**

**Indoor use only.**





**Like your new C by GE Ceiling Fan Smart Switch?  
Share your experience!**

Leave a review where you purchased the product.



I © by GE