

Series Part Numbers

Connector Code	Description	P / N
-XX-		
AM	SMA Plug	T321AM-GDP
AH	SMA Plug Reverse Polarity	T321AH-GDP

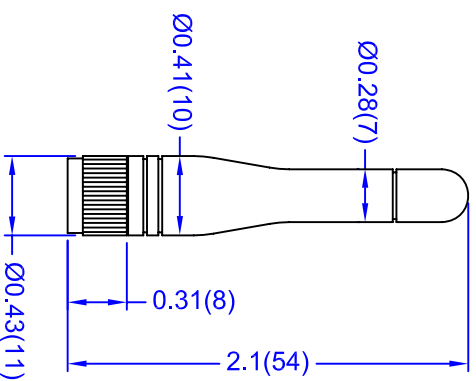
Electrical Properties:

Frequency Range:	890~960MHz(GSM)
Tri-Band	1710~1880MHz(DCS) 1850~1990MHz(PCS)
Impedance:	50Ω nominal
V/SWR:	<2.0:1
Gain:	0 dBi
Radiation:	Omni
Polarization:	Vertical
Wave:	1/4 Wave Helix

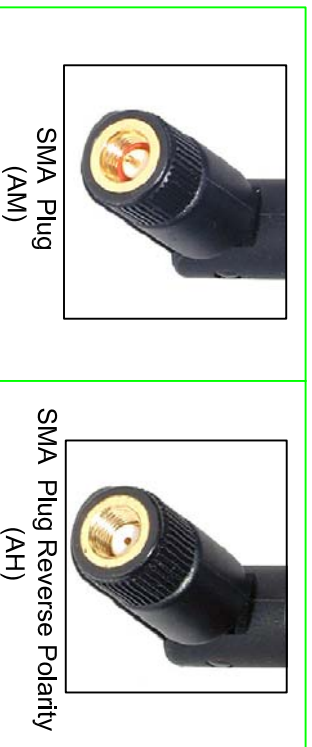
Mechanical Properties:

Connector:	SMA type
Material:	Polyurethane(Black)
Whip:	Brass with black chrome plating
Connector:	
Operation Temp.:	-20°C to +65°C
Storage Temp.:	-30°C to +75°C

This is a RoHS compliant product.



Connector Interface



TITLE	GSM/DCS/PCS Tri Band Antenna-321 Model	Rev. Date	SHEET
UNIT	DWG. NO. T321XX-GDP	04/27/06	1 of 1
in.(mm)			
SCALE			
none			

NEARSON