

CHANGES:
(A) New

NEXT ASSY

SHEET	2	3	4	5	6	7	8	9	10	11	12	13	14	15				
SIZE	A3	A3	A3	A3	A3	A3												
REV.	A	A	A	A	A	A												
															A	CO-004878	S.E.T	18/10/01
															REV	DR-NUMBER	INIT.	DATE

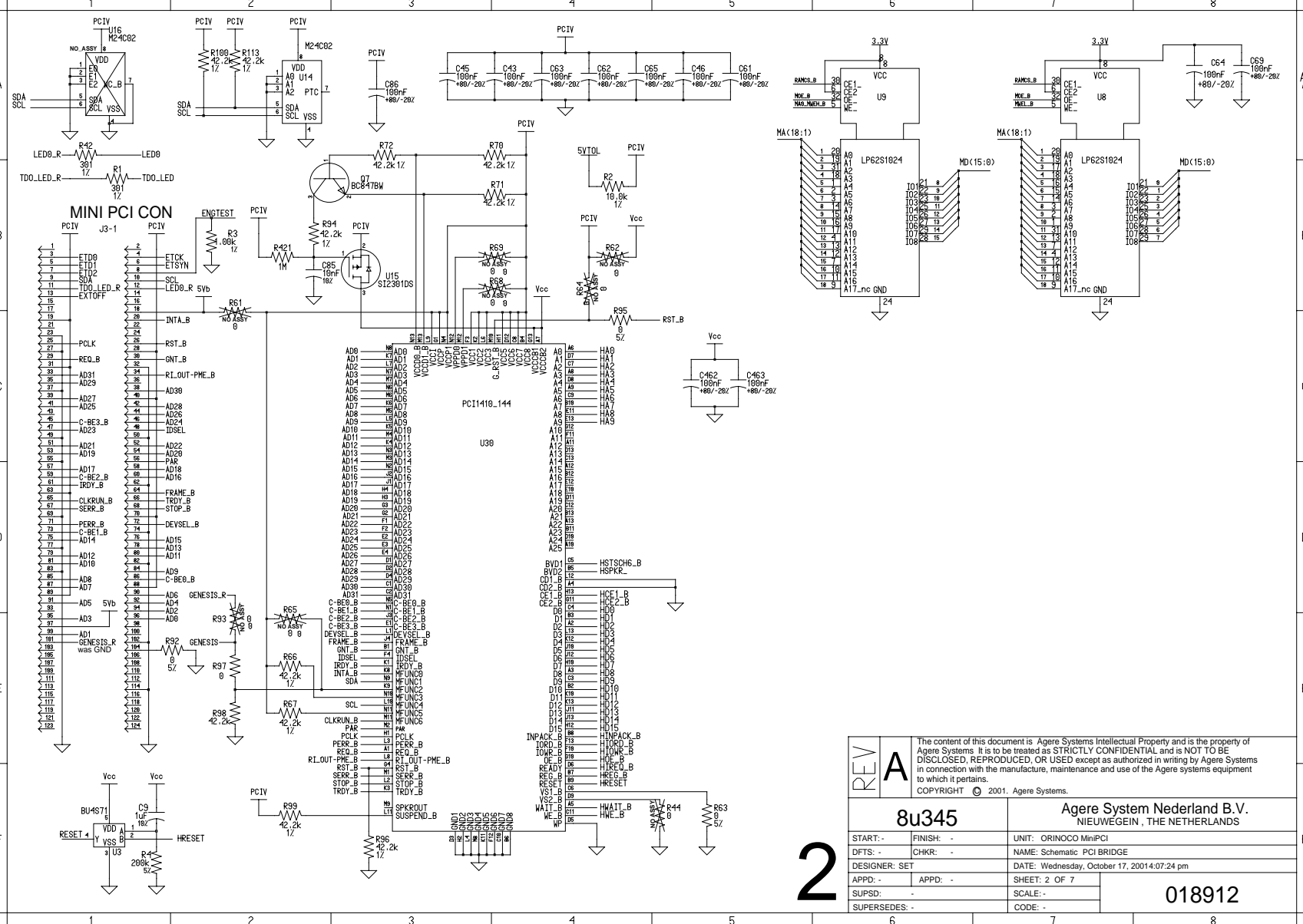
LUCENT TECHNOLOGIES NEDERLAND B.V. / WCND			
DESIGNER:	S. TIPPING	DATE:	18/10/01
SUPSD.BY:		SUPSDS:	
SHEET:	1 OF 7 PageTotal	SCALE:	
		UNIT :	ORINOCO MiniPCI Ruby
		NAME :	SCHEMATIC

The content of this document is "Agere Systems Nederland bv' intellectual property" and is the property of Agere Systems Nederland bv. It is to be treated as strictly confidential and is not to be disclosed, reproduced or used, except as authorised in writing by Agere Systems Nederland bv in connection with the manufacture, maintenance and use of the Agere Systems Nederland bv equipment to which it pertains.

Copyright © 2001 Agere Systems Nederland bv.

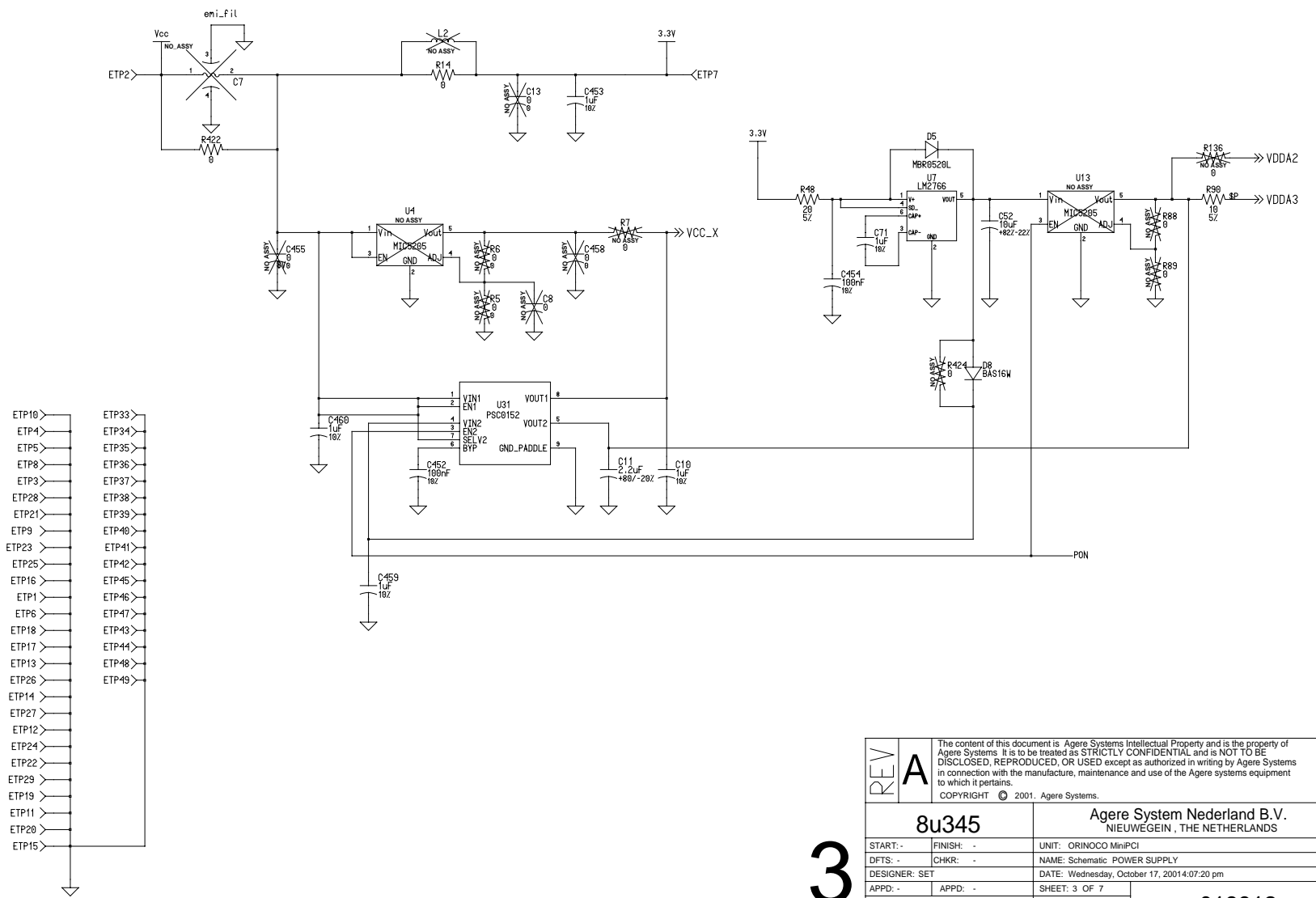
ITEM	PART/DWG #	REQ'D	NAME AND DESCRIPTION	NOTES
COMCODE:			DOC. NO.:	018912

LUCENT TECHNOLOGIES NEDERLAND B.V. / WCND		017267	
UNIT : ORINOCO MiniPCI Ruby	SCALE: Error! Reference source not found.	REV. Han v Westing	
NAME : SCHEMATIC		SHEET 2 OF 3	



REV	A	The content of this document is Agere Systems Intellectual Property and is the property of Agere Systems. It is to be treated as STRICTLY CONFIDENTIAL and is NOT TO BE DISCLOSED, REPRODUCED, OR USED except as authorized in writing by Agere Systems in connection with the manufacture, maintenance and use of the Agere systems equipment to which it pertains.	
		COPYRIGHT © 2001, Agere Systems.	
8u345		Agere System Nederland B.V. NIEUWEGEIN, THE NETHERLANDS	
START: -	FINISH: -	UNIT: ORINOCO MinIPCI	
DFTS: -	CHKR: -	NAME: Schematic PCI BRIDGE	
DESIGNER: SET		DATE: Wednesday, October 17, 2001 4:07:24 pm	
APPD: -	APPD: -	SHEET: 2 OF 7	
SUPSD: -	SCALE: -	018912	
SUPERSEDES: -	CODE: -		

2

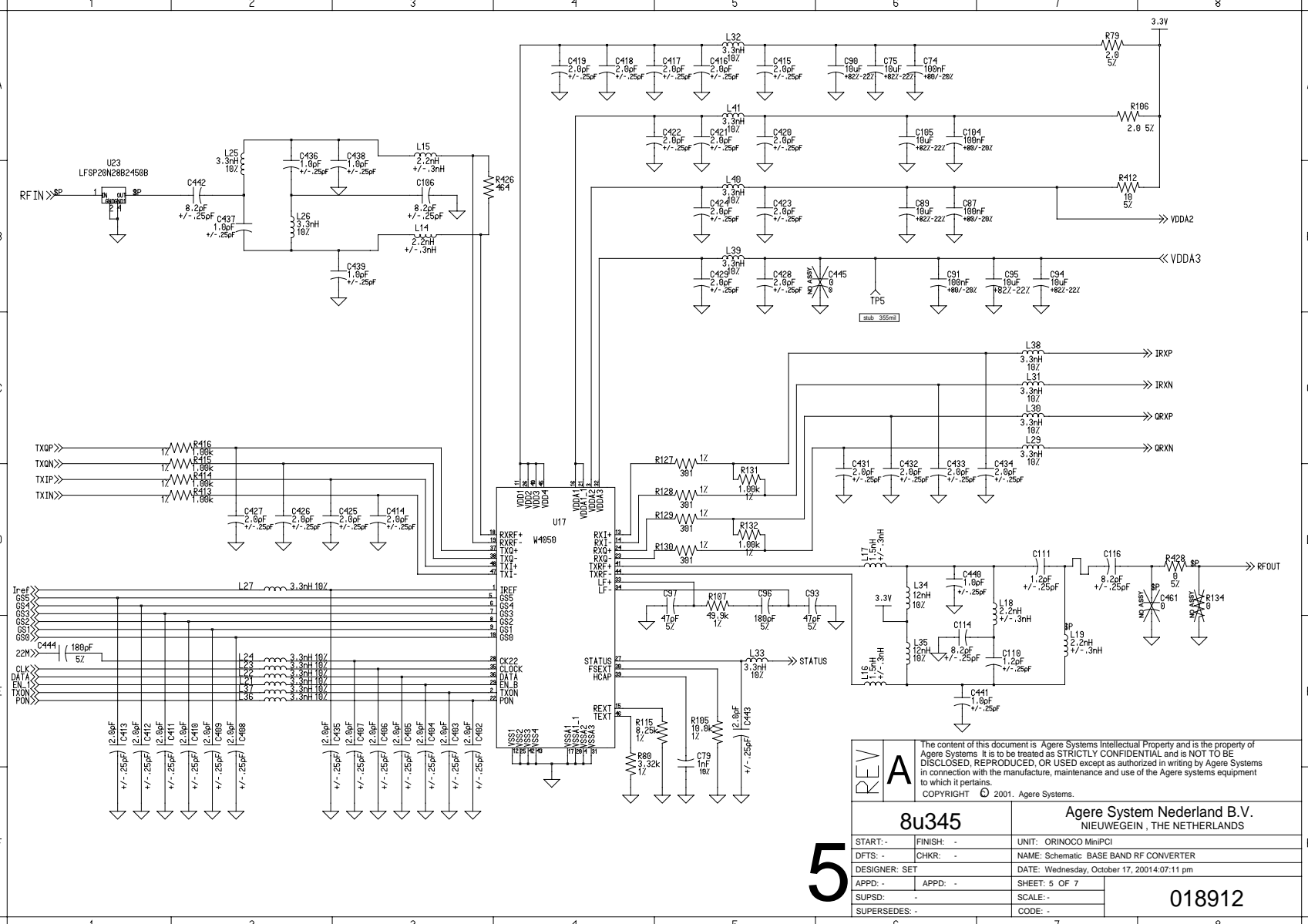


- ETP10 >
- ETP4 >
- ETP5 >
- ETP8 >
- ETP3 >
- ETP28 >
- ETP21 >
- ETP9 >
- ETP23 >
- ETP25 >
- ETP16 >
- ETP1 >
- ETP6 >
- ETP18 >
- ETP17 >
- ETP13 >
- ETP26 >
- ETP14 >
- ETP27 >
- ETP12 >
- ETP24 >
- ETP22 >
- ETP29 >
- ETP19 >
- ETP11 >
- ETP20 >
- ETP15 >

REV A	The content of this document is Agere Systems Intellectual Property and is the property of Agere Systems. It is to be treated as STRICTLY CONFIDENTIAL and is NOT TO BE DISCLOSED, REPRODUCED, OR USED except as authorized in writing by Agere Systems in connection with the manufacture, maintenance and use of the Agere systems equipment to which it pertains. COPYRIGHT © 2001, Agere Systems.	
	8u345	Agere System Nederland B.V. NIEUWEGEIN, THE NETHERLANDS
START: -	FINISH: -	UNIT: ORINOCO MiniPCI
DFTS: -	CHKR: -	NAME: Schematic POWER SUPPLY
DESIGNER: SET		DATE: Wednesday, October 17, 2001 4:07:20 pm
APPD: -	APPD: -	SHEET: 3 OF 7
SUPSD: -		SCALE: -
SUPERSEDES: -		CODE: -

3

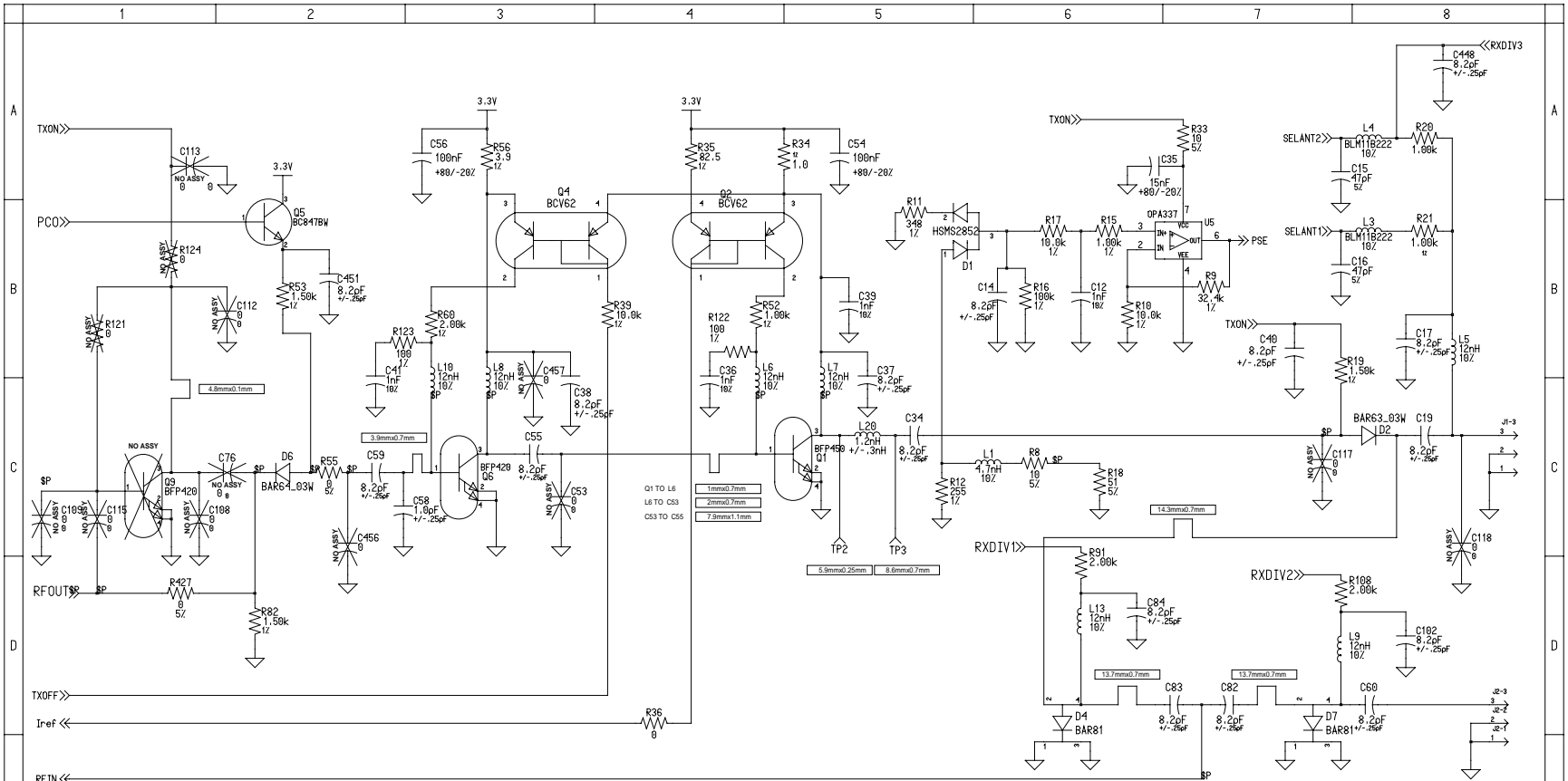
018912



REV A	The content of this document is Agere Systems Intellectual Property and is the property of Agere Systems. It is to be treated as STRICTLY CONFIDENTIAL and is NOT TO BE DISCLOSED, REPRODUCED, OR USED except as authorized in writing by Agere Systems in connection with the manufacture, maintenance and use of the Agere systems equipment to which it pertains. COPYRIGHT © 2001, Agere Systems.	
	Agere System Nederland B.V. NIEUWEGEIN, THE NETHERLANDS	
START: -	FINISH: -	UNIT: ORINOCO MiniPCI
DFTS: -	CHKR: -	NAME: Schematic BASE BAND RF CONVERTER
DESIGNER: SET		DATE: Wednesday, October 17, 2001 4:07:11 pm
APPD: -	APPD: -	SHEET: 5 OF 7
SUPSD: -		SCALE: -
SUPERSEDES: -		CODE: -

5

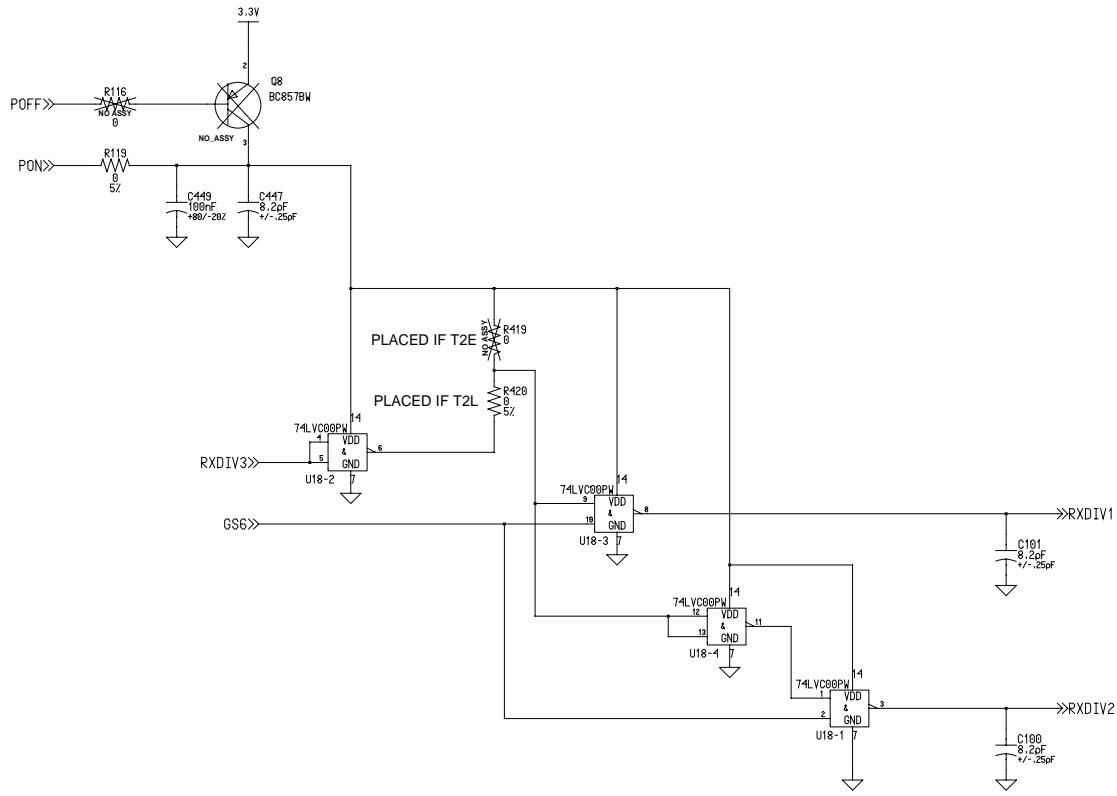
018912



REV	A	The content of this document is Agere Systems Intellectual Property and is the property of Agere Systems. It is to be treated as STRICTLY CONFIDENTIAL and is NOT TO BE DISCLOSED, REPRODUCED, OR USED except as authorized in writing by Agere Systems in connection with the manufacture, maintenance and use of the Agere systems equipment to which it pertains. COPYRIGHT © 2001, Agere Systems.		
		8u345		
		Agere System Nederland B.V. NIEUWEGEIN, THE NETHERLANDS		
START: -	FINISH: -	UNIT: ORINOCO MiniPCI		
DFTS: -	CHKR: -	NAME: Schematic RF POWER AMPLIFIER		
DESIGNER: SET		DATE: Wednesday, October 17, 2001 4:07:07 pm		
APPD: -	APPD: -	SHEET: 6 OF 7		
SUPSD: -		SCALE: -		
SUPERSEDES: -		CODE: -		

6

018912



REV	A	The content of this document is Agere Systems Intellectual Property and is the property of Agere Systems. It is to be treated as STRICTLY CONFIDENTIAL and is NOT TO BE DISCLOSED, REPRODUCED, OR USED except as authorized in writing by Agere Systems in connection with the manufacture, maintenance and use of the Agere systems equipment to which it pertains.	
		COPYRIGHT © 2001, Agere Systems.	
8u345		Agere System Nederland B.V. NIEUWEGEIN, THE NETHERLANDS	
START: -	FINISH: -	UNIT: ORINOCO MiniPCI	
DFTS: -	CHKR: -	NAME: Schematic: RX SWITCHING	
DESIGNER: SET		DATE: Wednesday, October 17, 2001 4:07:03 pm	
APPD: -	APPD: -	SHEET: 7 OF 7	
SUPSD: -		SCALE: -	
SUPERSEDES: -		CODE: -	

7

018912