

## System Check\_Head\_2450MHz

### DUT: D2450V2-736

Communication System: CW; Frequency: 2450 MHz; Duty Cycle: 1:1

Medium: HSL\_2450\_201022 Medium parameters used :  $f = 2450$  MHz;  $\sigma = 1.818$  S/m;  $\epsilon_r = 39.954$ ;  $\rho = 1000$  kg/m<sup>3</sup>

Ambient Temperature : 23.6 °C ; Liquid Temperature : 22.6 °C

DASY5 Configuration:

- Probe: ES3DV3 - SN3169; ConvF(4.52, 4.52, 4.52) @ 2450 MHz; Calibrated: 2020/5/27
- Sensor-Surface: 3mm (Mechanical Surface Detection)
- Electronics: DAE4 Sn699; Calibrated: 2020/2/26
- Phantom: ELI v4.0; Type: QDOVA002AA; Serial: TP:1238
- Measurement SW: DASY52, Version 52.10 (4); SEMCAD X Version 14.6.14 (7483)

**Pin=250mW/Area Scan (61x61x1):** Interpolated grid: dx=1.200 mm, dy=1.200 mm

Maximum value of SAR (interpolated) = 17.6 W/kg

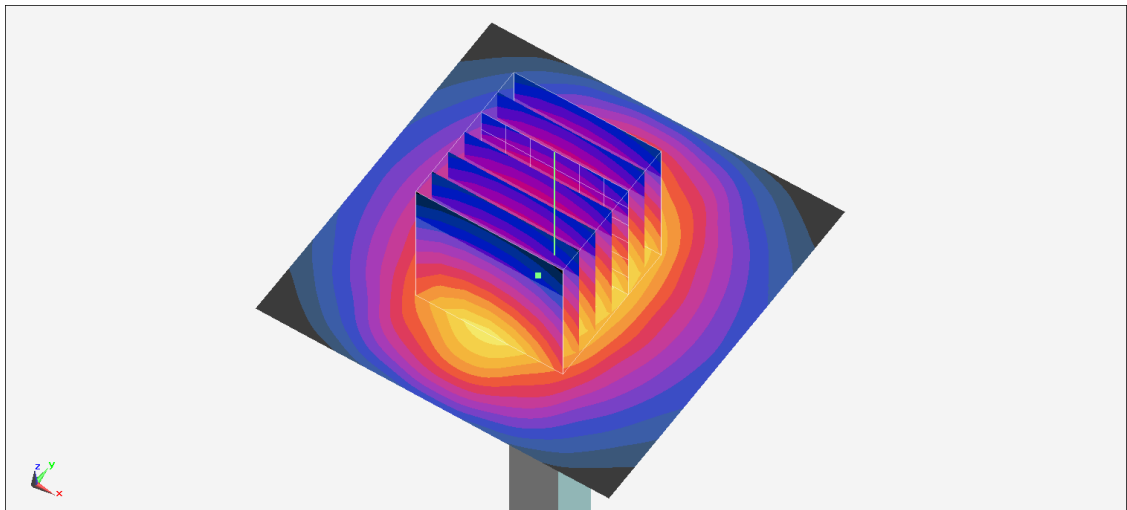
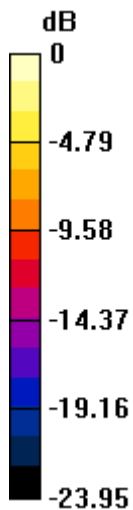
**Pin=250mW/Zoom Scan (7x7x7)/Cube 0:** Measurement grid: dx=5mm, dy=5mm, dz=5mm

Reference Value = 102.3 V/m; Power Drift = -0.03 dB

Peak SAR (extrapolated) = 27.0 W/kg

**SAR(1 g) = 13.3 W/kg; SAR(10 g) = 6.17 W/kg**

Maximum value of SAR (measured) = 17.4 W/kg



0 dB = 17.4 W/kg = 12.41 dBW/kg

## System Check\_Head\_2450MHz

### DUT: D2450V2-736

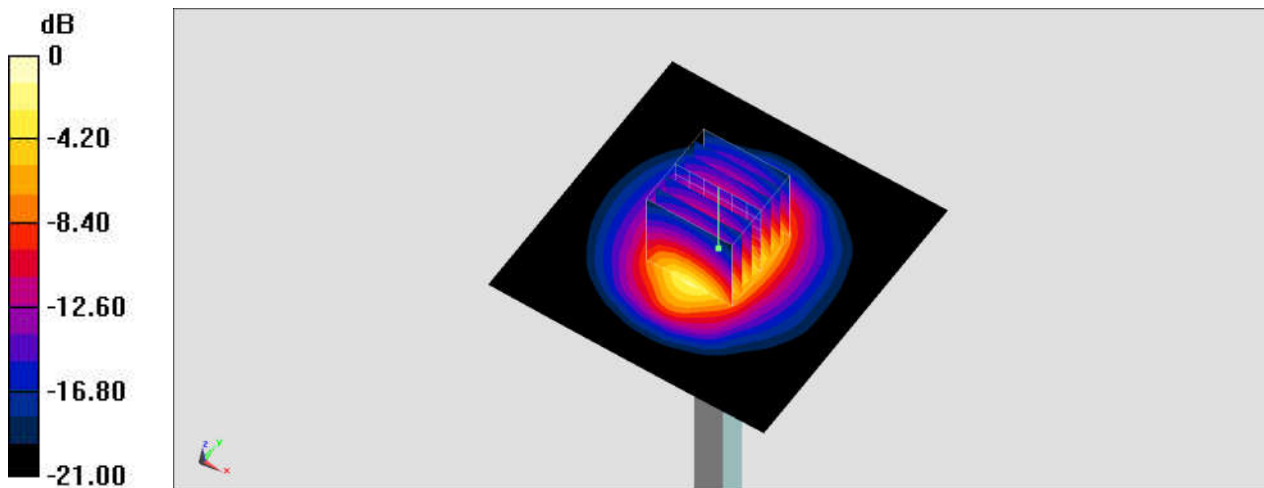
Communication System: CW; Frequency: 2450 MHz; Duty Cycle: 1:1  
Medium: HSL\_2450\_201025 Medium parameters used :  $f = 2450$  MHz;  $\sigma = 1.781$  S/m;  $\epsilon_r = 39.951$ ;  
 $\rho = 1000$  kg/m<sup>3</sup>  
Ambient Temperature : 23.3 °C; Liquid Temperature : 22.3 °C

### DASY5 Configuration:

- Probe: ES3DV3 - SN3184; ConvF(4.61, 4.61, 4.61) @ 2450 MHz; Calibrated: 2020/9/23
- Sensor-Surface: 3mm (Mechanical Surface Detection)
- Electronics: DAE4 Sn916; Calibrated: 2019/12/17
- Phantom: ELI v4.0; Type: QDOVA001BB; Serial: TP:1164
- Measurement SW: DASY52, Version 52.10 (4); SEMCAD X Version 14.6.14 (7483)

**Pin=250mW/Area Scan (81x81x1):** Interpolated grid: dx=1.200 mm, dy=1.200 mm  
Maximum value of SAR (interpolated) = 17.5 W/kg

**Pin=250mW/Zoom Scan (7x7x7)/Cube 0:** Measurement grid: dx=5mm, dy=5mm, dz=5mm  
Reference Value = 102.6 V/m; Power Drift = -0.06 dB  
Peak SAR (extrapolated) = 25.0 W/kg  
**SAR(1 g) = 13.4 W/kg; SAR(10 g) = 6.55 W/kg**  
Maximum value of SAR (measured) = 17.2 W/kg



## System Check\_Head\_5250MHz

### DUT: D5GHzV2-1128

Communication System: CW; Frequency: 5250 MHz; Duty Cycle: 1:1

Medium: HSL\_5G\_201026 Medium parameters used :  $f = 5250$  MHz;  $\sigma = 4.837$  S/m;  $\epsilon_r = 37.139$ ;  $\rho = 1000$  kg/m<sup>3</sup>

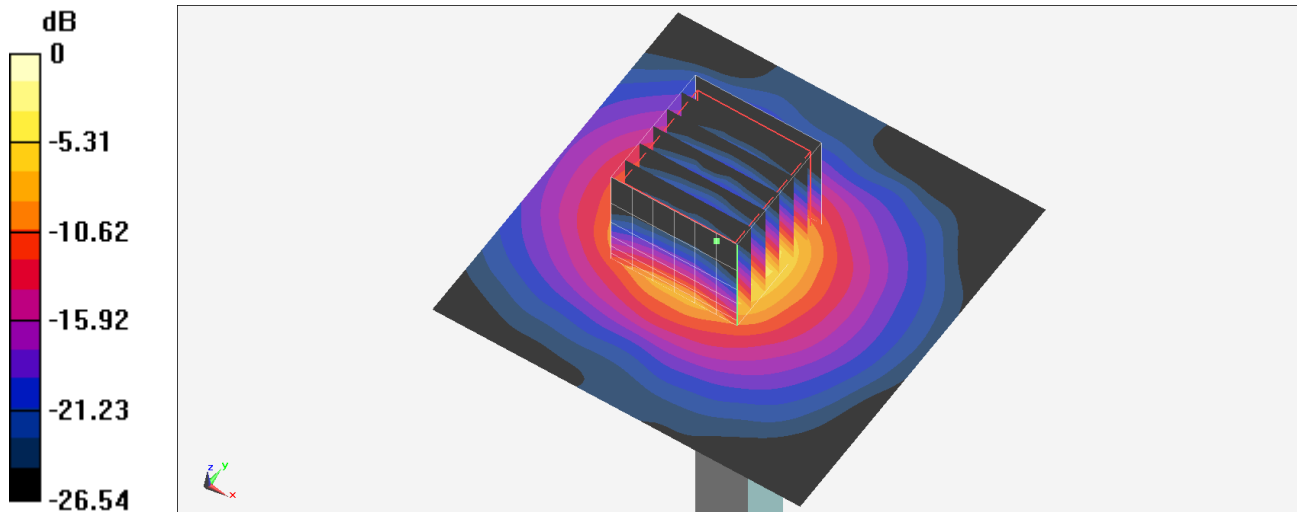
Ambient Temperature : 23.3 °C; Liquid Temperature : 22.3 °C

DASY5 Configuration:

- Probe: EX3DV4 - SN3728; ConvF(5.14, 5.14, 5.14) @ 5250 MHz; Calibrated: 2020/2/4
- Sensor-Surface: 1.4mm (Mechanical Surface Detection)
- Electronics: DAE4 Sn376; Calibrated: 2019/12/6
- Phantom: ELI v4.0\_Left; Type: QDOVA002AA; Serial: TP:1191
- Measurement SW: DASY52, Version 52.10 (4); SEMCAD X Version 14.6.14 (7483)

**Pin=100mW/Area Scan (71x71x1):** Interpolated grid: dx=1.000 mm, dy=1.000 mm  
Maximum value of SAR (interpolated) = 19.4 W/kg

**Pin=100mW/Zoom Scan (7x7x7)/Cube 0:** Measurement grid: dx=4mm, dy=4mm, dz=1.4mm  
Reference Value = 60.22 V/m; Power Drift = -0.07 dB  
Peak SAR (extrapolated) = 29.6 W/kg  
**SAR(1 g) = 7.72 W/kg; SAR(10 g) = 2.2 W/kg**  
Maximum value of SAR (measured) = 19.6 W/kg



0 dB = 19.6 W/kg = 12.92 dBW/kg

## System Check\_Head\_5250MHz

### DUT: D5GHzV2-1006

Communication System: CW; Frequency: 5250 MHz; Duty Cycle: 1:1

Medium: HSL\_5G\_201027 Medium parameters used :  $f = 5250$  MHz;  $\sigma = 4.757$  S/m;  $\epsilon_r = 37.205$ ;  $\rho = 1000$  kg/m<sup>3</sup>

Ambient Temperature : 23.1 °C; Liquid Temperature : 22.1 °C

DASY5 Configuration:

- Probe: EX3DV4 - SN7590; ConvF(5.57, 5.57, 5.57) @ 5250 MHz; Calibrated: 2020/4/14
- Sensor-Surface: 1.4mm (Mechanical Surface Detection)
- Electronics: DAE3 Sn495; Calibrated: 2020/7/21
- Phantom: ELI v4.0; Type: QDOVA001BB; Serial: TP:1025
- Measurement SW: DASY52, Version 52.10 (4); SEMCAD X Version 14.6.14 (7483)

**Pin=50mW/Area Scan (71x71x1):** Interpolated grid: dx=1.000 mm, dy=1.000 mm

Maximum value of SAR (interpolated) = 9.40 W/kg

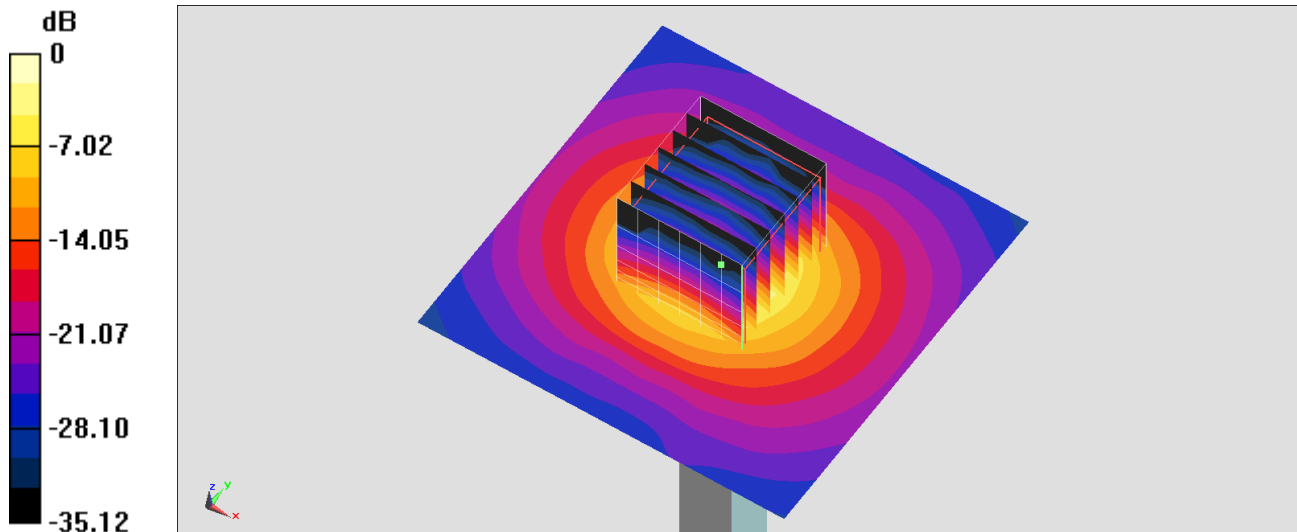
**Pin=50mW/Zoom Scan (7x7x7)/Cube 0:** Measurement grid: dx=4mm, dy=4mm, dz=1.4mm

Reference Value = 50.07 V/m; Power Drift = -0.08 dB

Peak SAR (extrapolated) = 14.9 W/kg

**SAR(1 g) = 3.68 W/kg; SAR(10 g) = 1.06 W/kg**

Maximum value of SAR (measured) = 9.25 W/kg



0 dB = 9.25 W/kg = 9.66 dBW/kg

## System Check\_Head\_5250MHz

### DUT: D5GHzV2-1006

Communication System: CW; Frequency: 5250 MHz; Duty Cycle: 1:1

Medium: HSL\_5G\_201103 Medium parameters used :  $f = 5250$  MHz;  $\sigma = 4.589$  S/m;  $\epsilon_r = 36.9$ ;  $\rho = 1000$  kg/m<sup>3</sup>

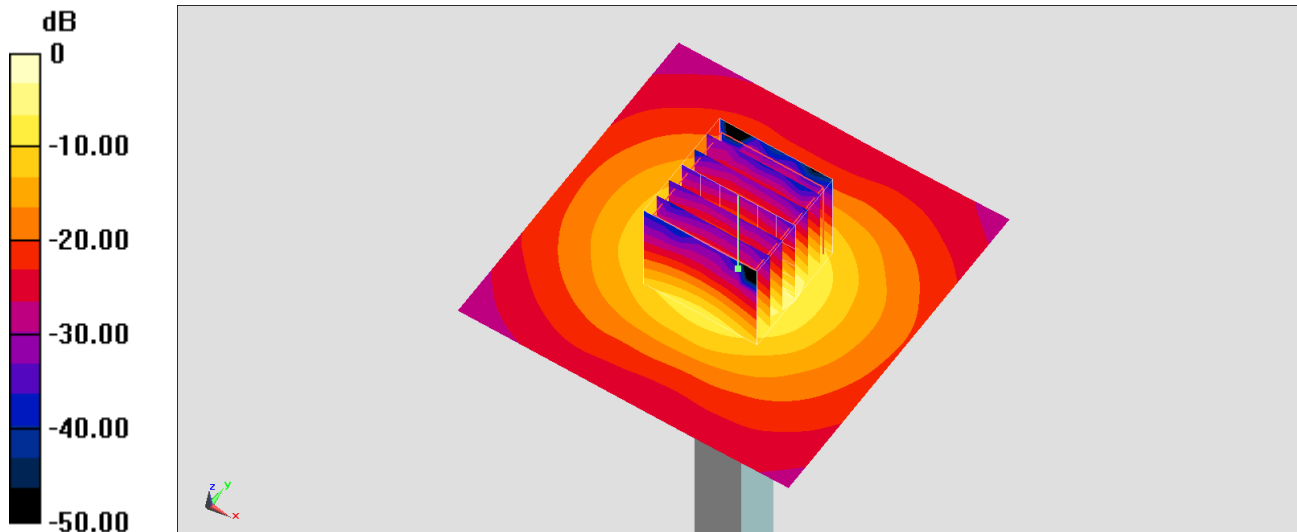
Ambient Temperature : 23.3 °C; Liquid Temperature : 22.3 °C

DASY5 Configuration:

- Probe: EX3DV4 - SN3642; ConvF(4.43, 4.43, 4.43) @ 5250 MHz; Calibrated: 2020/4/29
- Sensor-Surface: 1.4mm (Mechanical Surface Detection)
- Electronics: DAE3 Sn495; Calibrated: 2020/7/21
- Phantom: ELI v4.0; Type: QDOVA001BB; Serial: TP:1025
- Measurement SW: DASY52, Version 52.10 (4); SEMCAD X Version 14.6.14 (7483)

**Pin=100mW/Area Scan (71x71x1):** Interpolated grid: dx=1.000 mm, dy=1.000 mm  
Maximum value of SAR (interpolated) = 23.4 W/kg

**Pin=100mW/Zoom Scan (7x7x7)/Cube 0:** Measurement grid: dx=4mm, dy=4mm, dz=1.4mm  
Reference Value = 81.86 V/m; Power Drift = -0.11 dB  
Peak SAR (extrapolated) = 34.3 W/kg  
**SAR(1 g) = 8.34 W/kg; SAR(10 g) = 2.36 W/kg**  
Maximum value of SAR (measured) = 21.2 W/kg



0 dB = 21.2 W/kg = 13.26 dBW/kg

## System Check\_Head\_5250MHz

### DUT: D5GHzV2-1006

Communication System: CW; Frequency: 5250 MHz; Duty Cycle: 1:1

Medium: HSL\_5G\_201109 Medium parameters used :  $f = 5250$  MHz;  $\sigma = 4.624$  S/m;  $\epsilon_r = 35.887$ ;  $\rho = 1000$  kg/m<sup>3</sup>

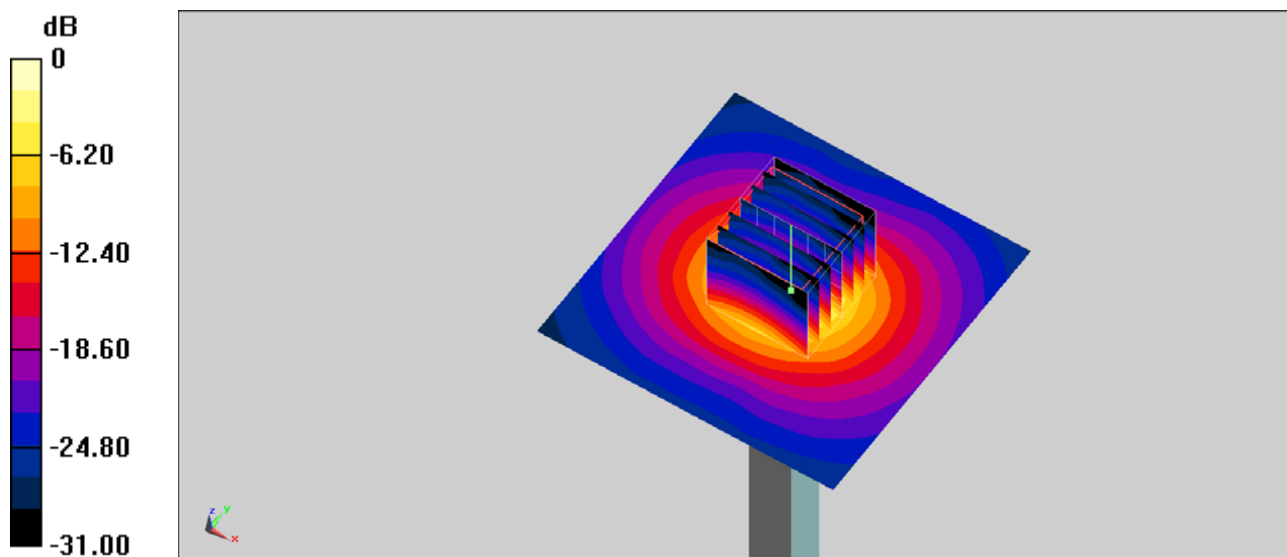
Ambient Temperature : 23.2 °C; Liquid Temperature : 22.2 °C

### DASY5 Configuration

- Probe: EX3DV4 - SN7306; ConvF(5.36, 5.36, 5.36) @ 5250 MHz; Calibrated: 2020/7/24
- Sensor-Surface: 1.4mm (Mechanical Surface Detection)
- Electronics: DAE4 Sn1399; Calibrated: 2020/2/18
- Phantom: ELI V4.0; Type: QDOVA001BB; Serial: 1041
- Measurement SW: DASY52, Version 52.10 (4); SEMCAD X Version 14.6.14 (7483)

**Pin=100mW/Area Scan (71x71x1):** Interpolated grid: dx=1.000 mm, dy=1.000 mm  
Maximum value of SAR (interpolated) = 17.8 W/kg

**Pin=100mW/Zoom Scan (7x7x7)/Cube 0:** Measurement grid: dx=4mm, dy=4mm, dz=1.4mm  
Reference Value = 70.27 V/m; Power Drift = -0.19 dB  
Peak SAR (extrapolated) = 29.1 W/kg  
**SAR(1 g) = 7.53 W/kg; SAR(10 g) = 2.19 W/kg**  
Maximum value of SAR (measured) = 18.6 W/kg



0 dB = 18.6 W/kg = 12.70 dBW/kg

## System Check\_Head\_5600MHz

### DUT: D5GHzV2-1128

Communication System: CW; Frequency: 5600 MHz; Duty Cycle: 1:1

Medium: HSL\_5G\_201026 Medium parameters used:  $f = 5600$  MHz;  $\sigma = 5.217$  S/m;  $\epsilon_r = 36.628$ ;  $\rho = 1000$  kg/m<sup>3</sup>

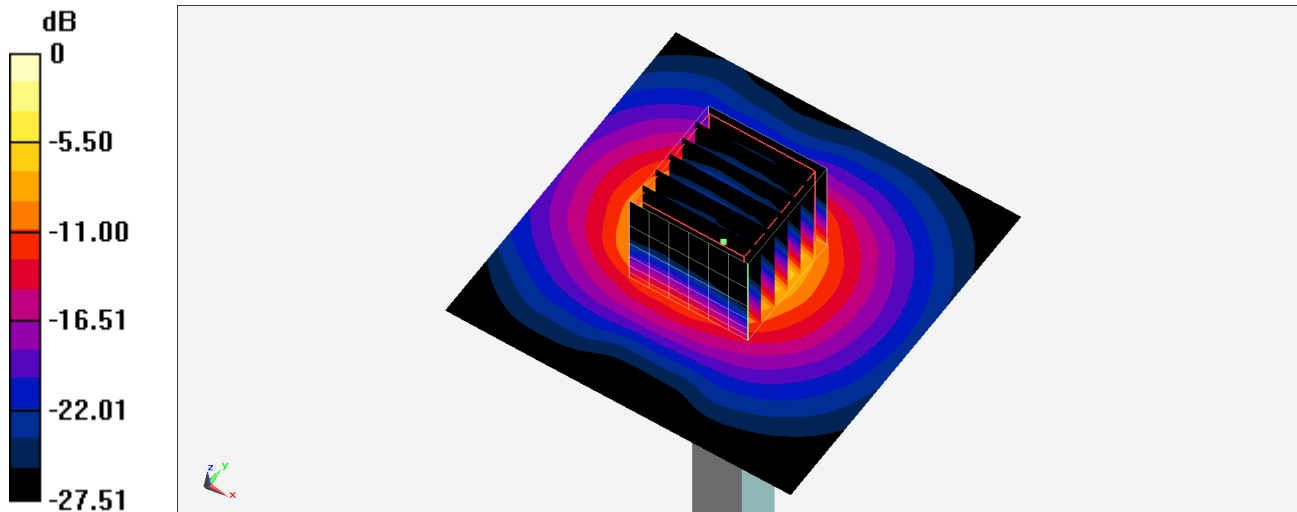
Ambient Temperature : 23.3 °C; Liquid Temperature : 22.3 °C

DASY5 Configuration:

- Probe: EX3DV4 - SN3728; ConvF(4.57, 4.57, 4.57) @ 5600 MHz; Calibrated: 2020/2/4
- Sensor-Surface: 1.4mm (Mechanical Surface Detection)
- Electronics: DAE4 Sn376; Calibrated: 2019/12/6
- Phantom: ELI v4.0\_Left; Type: QDOVA002AA; Serial: TP:1191
- Measurement SW: DASY52, Version 52.10 (4); SEMCAD X Version 14.6.14 (7483)

**Pin=100mW/Area Scan (71x71x1):** Interpolated grid: dx=1.000 mm, dy=1.000 mm  
Maximum value of SAR (interpolated) = 20.6 W/kg

**Pin=100mW/Zoom Scan (7x7x7)/Cube 0:** Measurement grid: dx=4mm, dy=4mm, dz=1.4mm  
Reference Value = 61.78 V/m; Power Drift = 0.09 dB  
Peak SAR (extrapolated) = 34.9 W/kg  
**SAR(1 g) = 8.07 W/kg; SAR(10 g) = 2.22 W/kg**  
Maximum value of SAR (measured) = 20.3 W/kg



0 dB = 20.3 W/kg = 13.07 dBW/kg

## System Check\_Head\_5600MHz

### DUT: D5GHzV2-1006

Communication System: CW; Frequency: 5600 MHz; Duty Cycle: 1:1

Medium: HSL\_5G\_201027 Medium parameters used:  $f = 5600$  MHz;  $\sigma = 5.131$  S/m;  $\epsilon_r = 36.661$ ;  $\rho = 1000$  kg/m<sup>3</sup>

Ambient Temperature : 23.1 °C; Liquid Temperature : 22.1 °C

DASY5 Configuration:

- Probe: EX3DV4 - SN7590; ConvF(5.07, 5.07, 5.07) @ 5600 MHz; Calibrated: 2020/4/14
- Sensor-Surface: 1.4mm (Mechanical Surface Detection)
- Electronics: DAE3 Sn495; Calibrated: 2020/7/21
- Phantom: ELI v4.0; Type: QDOVA001BB; Serial: TP:1025
- Measurement SW: DASY52, Version 52.10 (4); SEMCAD X Version 14.6.14 (7483)

**Pin=50mW/Area Scan (71x71x1):** Interpolated grid: dx=1.000 mm, dy=1.000 mm

Maximum value of SAR (interpolated) = 9.85 W/kg

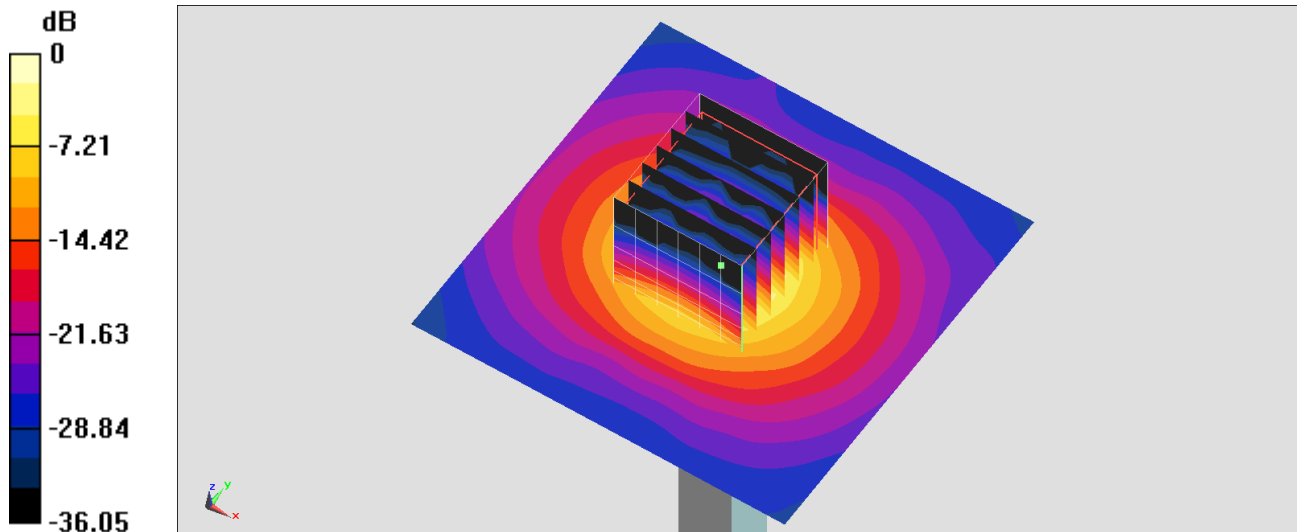
**Pin=50mW/Zoom Scan (7x7x7)/Cube 0:** Measurement grid: dx=4mm, dy=4mm, dz=1.4mm

Reference Value = 49.26 V/m; Power Drift = 0.03 dB

Peak SAR (extrapolated) = 17.4 W/kg

**SAR(1 g) = 3.87 W/kg; SAR(10 g) = 1.1 W/kg**

Maximum value of SAR (measured) = 10.1 W/kg



0 dB = 10.1 W/kg = 10.04 dBW/kg



## System Check\_Head\_5600MHz

### DUT: D5GHzV2-1006

Communication System: CW ; Frequency: 5600 MHz;Duty Cycle: 1:1

Medium: HSL\_5G\_201103 Medium parameters used:  $f = 5600$  MHz;  $\sigma = 4.941$  S/m;  $\epsilon_r = 36.36$ ;  $\rho = 1000$  kg/m<sup>3</sup>

Ambient Temperature : 23.3 °C ; Liquid Temperature : 22.3 °C

DASY5 Configuration:

- Probe: EX3DV4 - SN3642; ConvF(4.19, 4.19, 4.19) @ 5600 MHz; Calibrated: 2020/4/29
- Sensor-Surface: 1.4mm (Mechanical Surface Detection)
- Electronics: DAE3 Sn495; Calibrated: 2020/7/21
- Phantom: ELI v4.0; Type: QDOVA001BB; Serial: TP:1025
- Measurement SW: DASY52, Version 52.10 (4);SEMCAD X Version 14.6.14 (7483)

**Pin=100mW/Area Scan (71x71x1):** Interpolated grid: dx=1.000 mm, dy=1.000 mm

Maximum value of SAR (interpolated) = 23.6 W/kg

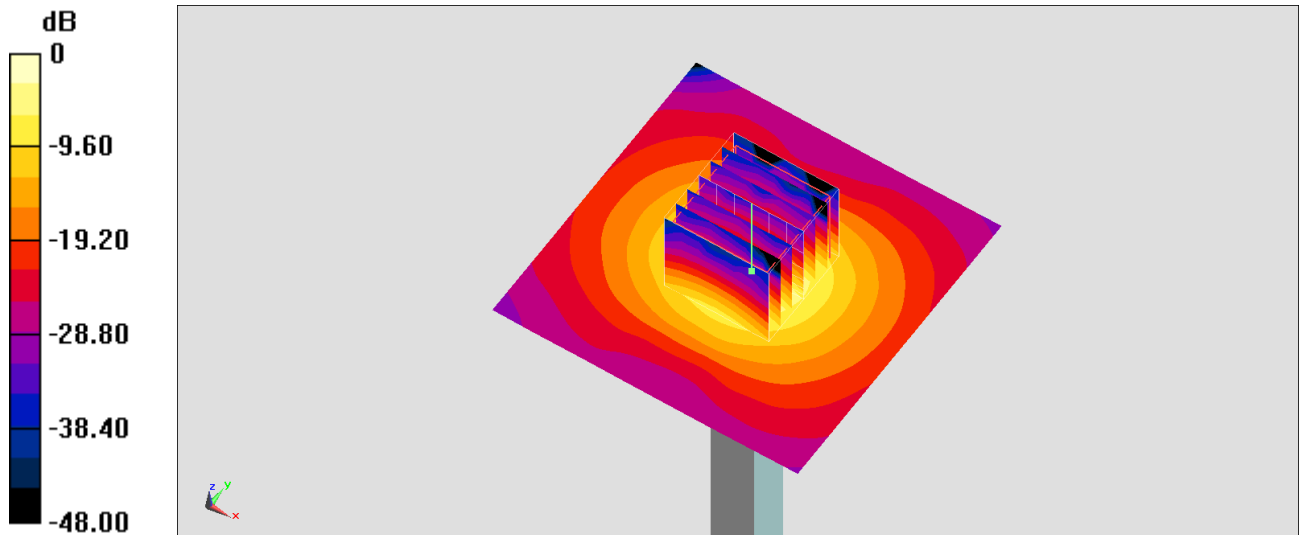
**Pin=100mW/Zoom Scan (7x7x7)/Cube 0:** Measurement grid: dx=4mm, dy=4mm, dz=1.4mm

Reference Value = 74.86 V/m; Power Drift = -0.08 dB

Peak SAR (extrapolated) = 39.0 W/kg

**SAR(1 g) = 8.75 W/kg; SAR(10 g) = 2.44 W/kg**

Maximum value of SAR (measured) = 22.9 W/kg



0 dB = 22.9 W/kg = 13.60 dBW/kg

### System Check\_Head\_5600MHz

#### DUT: D5GHzV2-1006

Communication System: CW; Frequency: 5600 MHz; Duty Cycle: 1:1

Medium: HSL\_5G\_201109 Medium parameters used:  $f = 5600$  MHz;  $\sigma = 4.963$  S/m;  $\epsilon_r = 35.357$ ;  $\rho = 1000$  kg/m<sup>3</sup>

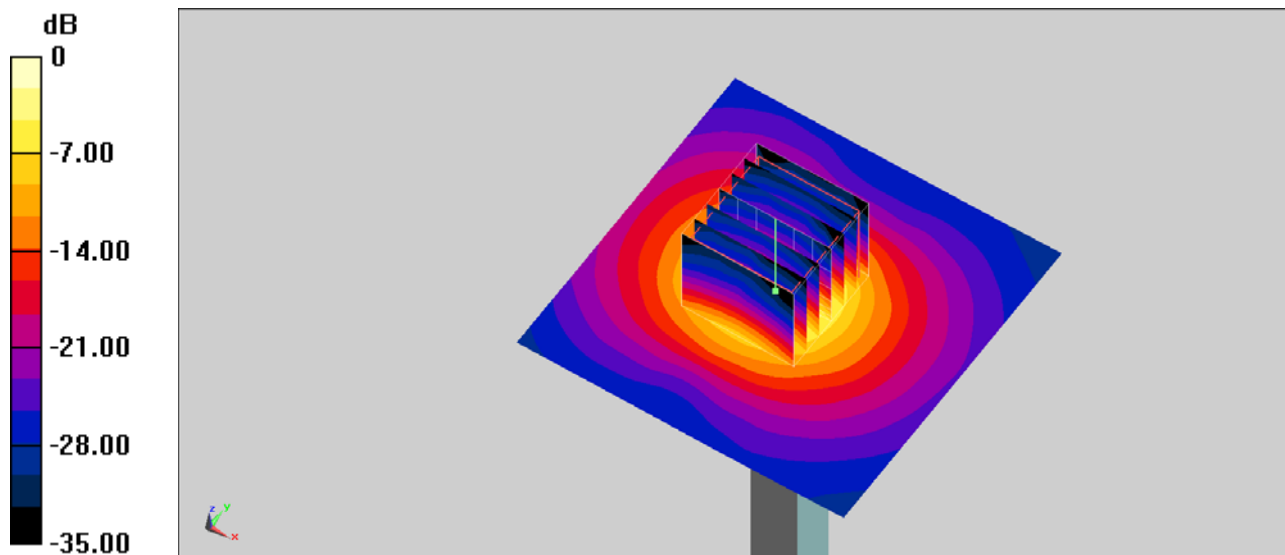
Ambient Temperature : 23.2 °C ; Liquid Temperature : 22.2 °C

#### DASY5 Configuration

- Probe: EX3DV4 - SN7306; ConvF(4.68, 4.68, 4.68) @ 5600 MHz; Calibrated: 2020/7/24
- Sensor-Surface: 1.4mm (Mechanical Surface Detection)
- Electronics: DAE4 Sn1399; Calibrated: 2020/2/18
- Phantom: ELI V4.0; Type: QDOVA001BB; Serial: 1041
- Measurement SW: DASY52, Version 52.10 (4); SEMCAD X Version 14.6.14 (7483)

**Pin=100mW/Area Scan (71x71x1):** Interpolated grid: dx=1.000 mm, dy=1.000 mm  
Maximum value of SAR (interpolated) = 24.0 W/kg

**Pin=100mW/Zoom Scan (7x7x7)/Cube 0:** Measurement grid: dx=4mm, dy=4mm, dz=1.4mm  
Reference Value = 70.60 V/m; Power Drift = -0.14 dB  
Peak SAR (extrapolated) = 38.1 W/kg  
**SAR(1 g) = 8.76 W/kg; SAR(10 g) = 2.48 W/kg**  
Maximum value of SAR (measured) = 22.8 W/kg



0 dB = 22.8 W/kg = 13.58 dBW/kg

## System Check\_Head\_5750MHz

### DUT: D5GHzV2-1128

Communication System: CW; Frequency: 5750 MHz; Duty Cycle: 1:1

Medium: HSL\_5G\_201026 Medium parameters used:  $f = 5750$  MHz;  $\sigma = 5.386$  S/m;  $\epsilon_r = 36.445$ ;  $\rho = 1000$  kg/m<sup>3</sup>

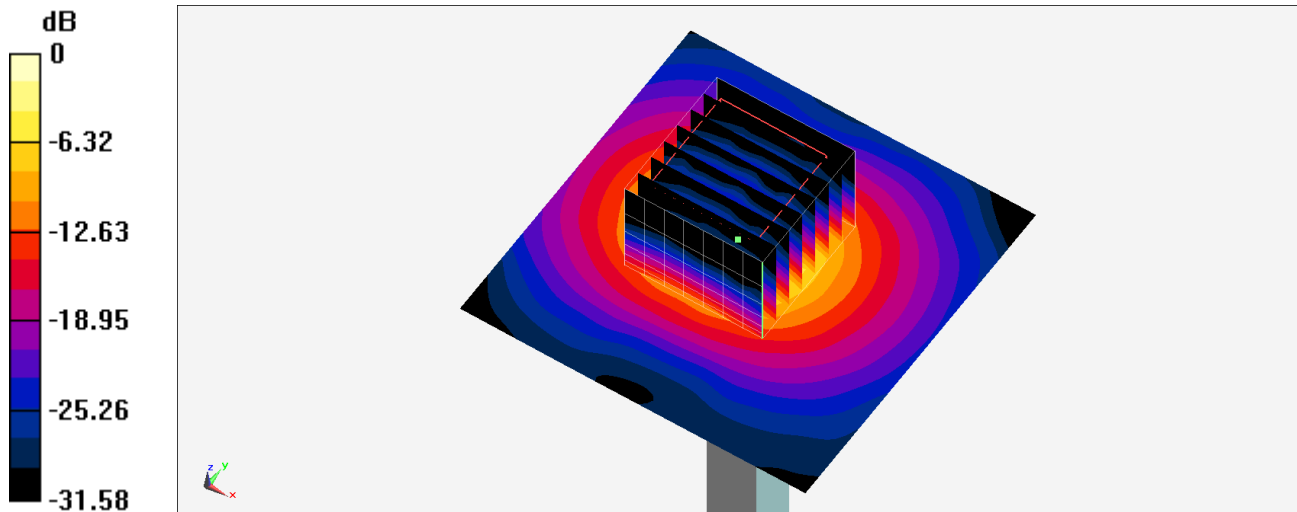
Ambient Temperature : 23.3 °C ; Liquid Temperature : 22.3 °C

DASY5 Configuration:

- Probe: EX3DV4 - SN3728; ConvF(4.78, 4.78, 4.78) @ 5750 MHz; Calibrated: 2020/2/4
- Sensor-Surface: 1.4mm (Mechanical Surface Detection)
- Electronics: DAE4 Sn376; Calibrated: 2019/12/6
- Phantom: ELI v4.0\_Left; Type: QDOVA002AA; Serial: TP:1191
- Measurement SW: DASY52, Version 52.10 (4); SEMCAD X Version 14.6.14 (7483)

**Pin=100mW/Area Scan (71x71x1):** Interpolated grid: dx=1.000 mm, dy=1.000 mm  
Maximum value of SAR (interpolated) = 19.0 W/kg

**Pin=100mW/Zoom Scan (8x8x7)/Cube 0:** Measurement grid: dx=4mm, dy=4mm, dz=1.4mm  
Reference Value = 57.41 V/m; Power Drift = 0.06 dB  
Peak SAR (extrapolated) = 33.9 W/kg  
**SAR(1 g) = 7.57 W/kg; SAR(10 g) = 2.15 W/kg**  
Maximum value of SAR (measured) = 19.4 W/kg



0 dB = 19.4 W/kg = 12.88 dBW/kg

## System Check\_Head\_5750MHz

### DUT: D5GHzV2-1006

Communication System: CW ; Frequency: 5750 MHz;Duty Cycle: 1:1

Medium: HSL\_5G\_201027 Medium parameters used:  $f = 5750$  MHz;  $\sigma = 5.275$  S/m;  $\epsilon_r = 36.449$ ;  $\rho = 1000$  kg/m<sup>3</sup>

Ambient Temperature : 23.1 °C ; Liquid Temperature : 22.1 °C

DASY5 Configuration:

- Probe: EX3DV4 - SN7590; ConvF(5.3, 5.3, 5.3) @ 5750 MHz; Calibrated: 2020/4/14
- Sensor-Surface: 1.4mm (Mechanical Surface Detection)
- Electronics: DAE3 Sn495; Calibrated: 2020/7/21
- Phantom: ELI v4.0; Type: QDOVA001BB; Serial: TP:1025
- Measurement SW: DASY52, Version 52.10 (4);SEMCAD X Version 14.6.14 (7483)

**Pin=50mW/Area Scan (71x71x1):** Interpolated grid: dx=1.000 mm, dy=1.000 mm

Maximum value of SAR (interpolated) = 11.6 W/kg

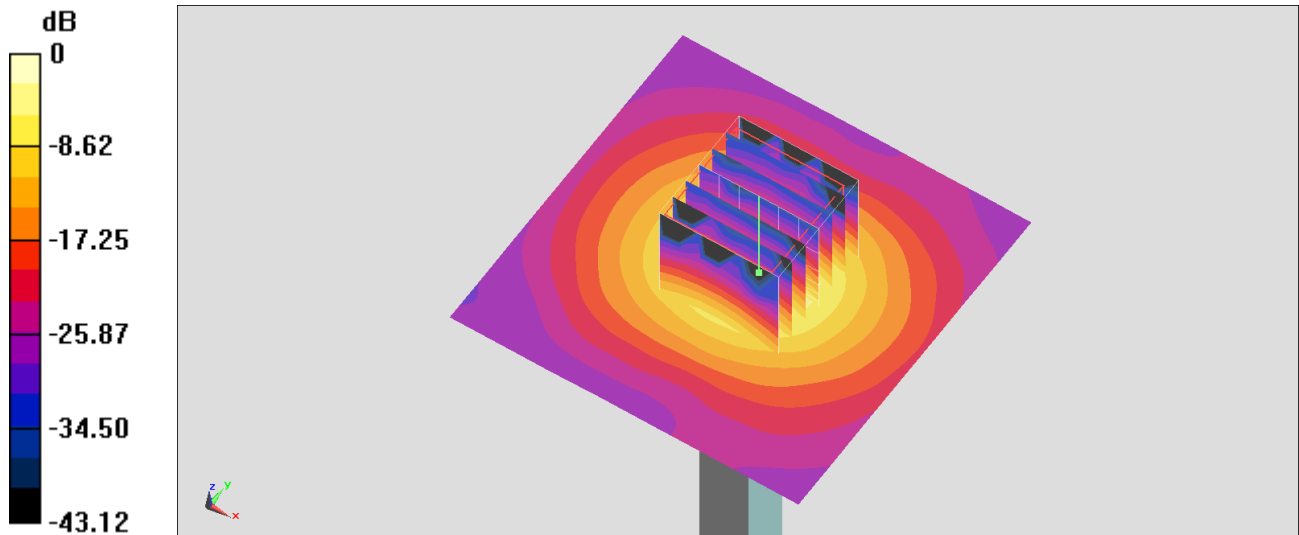
**Pin=50mW/Zoom Scan (7x7x7)/Cube 0:** Measurement grid: dx=4mm, dy=4mm, dz=1.4mm

Reference Value = 48.79 V/m; Power Drift = -0.03 dB

Peak SAR (extrapolated) = 17.0 W/kg

**SAR(1 g) = 3.99 W/kg; SAR(10 g) = 1.13 W/kg**

Maximum value of SAR (measured) = 10.1 W/kg



0 dB = 10.1 W/kg = 10.04 dBW/kg

## System Check\_Head\_5750MHz

### DUT: D5GHzV2-1006

Communication System: CW ; Frequency: 5750 MHz;Duty Cycle: 1:1

Medium: HSL\_5G\_201103 Medium parameters used:  $f = 5750$  MHz;  $\sigma = 5.092$  S/m;  $\epsilon_r = 36.225$ ;  $\rho = 1000$  kg/m<sup>3</sup>

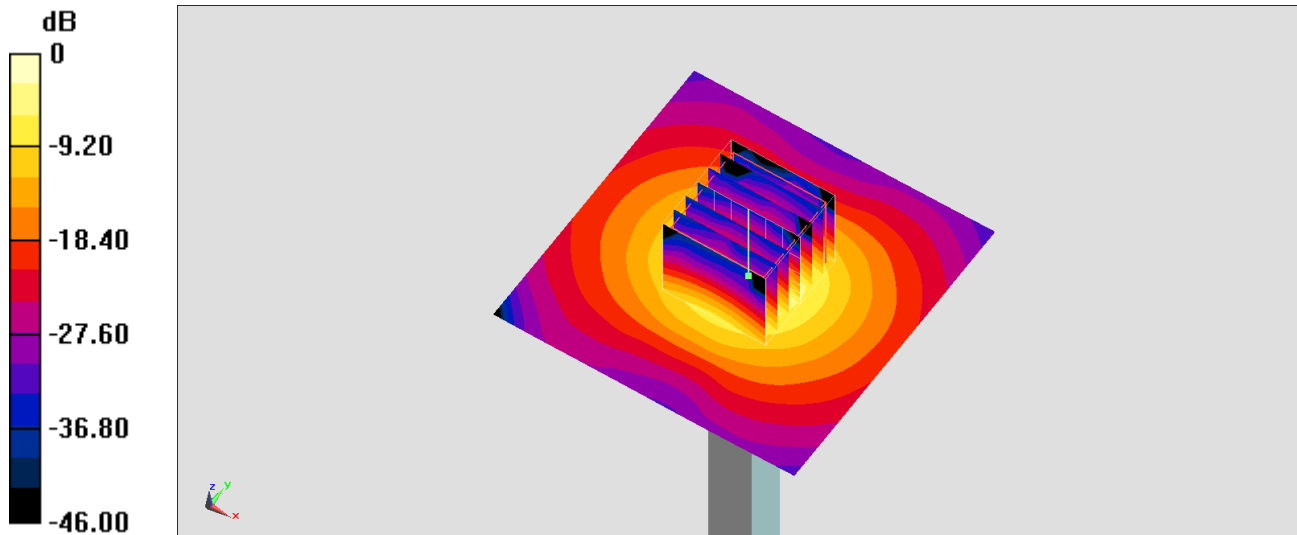
Ambient Temperature : 23.3 °C ; Liquid Temperature : 22.3 °C

DASY5 Configuration:

- Probe: EX3DV4 - SN3642; ConvF(4.17, 4.17, 4.17) @ 5750 MHz; Calibrated: 2020/4/29
- Sensor-Surface: 1.4mm (Mechanical Surface Detection)
- Electronics: DAE3 Sn495; Calibrated: 2020/7/21
- Phantom: ELI v4.0; Type: QDOVA001BB; Serial: TP:1025
- Measurement SW: DASY52, Version 52.10 (4);SEMCAD X Version 14.6.14 (7483)

**Pin=100mW/Area Scan (71x71x1):** Interpolated grid: dx=1.000 mm, dy=1.000 mm  
Maximum value of SAR (interpolated) = 21.5 W/kg

**Pin=100mW/Zoom Scan (7x7x7)/Cube 0:** Measurement grid: dx=4mm, dy=4mm, dz=1.4mm  
Reference Value = 72.82 V/m; Power Drift = -0.05 dB  
Peak SAR (extrapolated) = 38.6 W/kg  
**SAR(1 g) = 8.29 W/kg; SAR(10 g) = 2.33 W/kg**  
Maximum value of SAR (measured) = 22.1 W/kg



0 dB = 22.1 W/kg = 13.44 dBW/kg

### System Check\_Head\_5750MHz

#### DUT: D5GHzV2-1006

Communication System: CW; Frequency: 5750 MHz; Duty Cycle: 1:1

Medium: HSL\_5G\_201109 Medium parameters used:  $f = 5750$  MHz;  $\sigma = 5.136$  S/m;  $\epsilon_r = 35.166$ ;  $\rho = 1000$  kg/m<sup>3</sup>

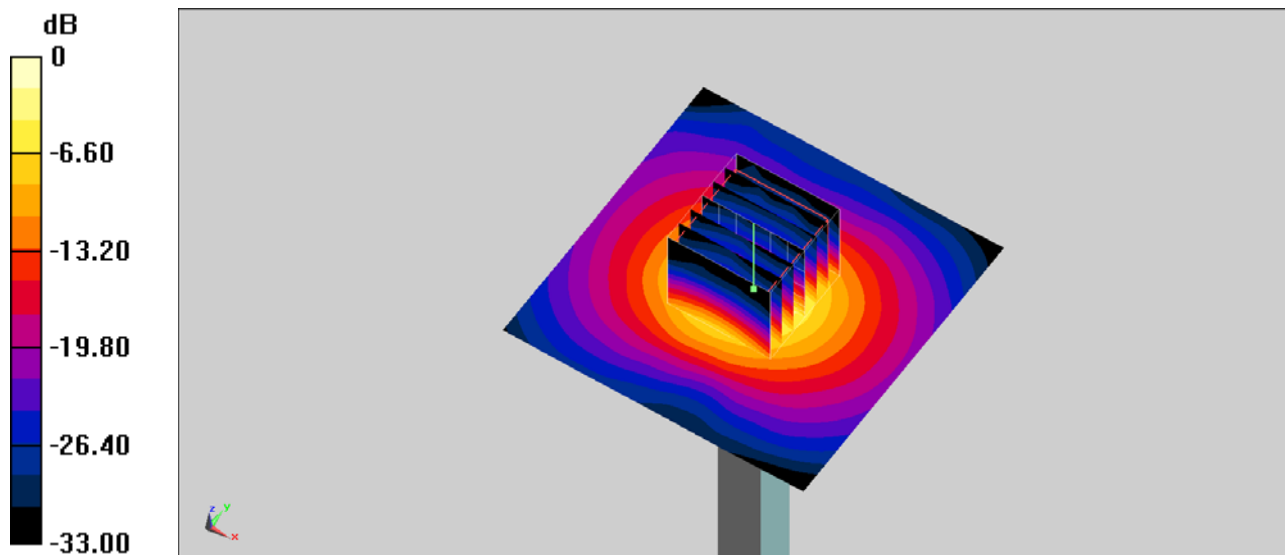
Ambient Temperature : 23.2 °C ; Liquid Temperature : 22.2 °C

#### DASY5 Configuration

- Probe: EX3DV4 - SN7306; ConvF(4.91, 4.91, 4.91) @ 5750 MHz; Calibrated: 2020/7/24
- Sensor-Surface: 1.4mm (Mechanical Surface Detection)
- Electronics: DAE4 Sn1399; Calibrated: 2020/2/18
- Phantom: ELI V4.0; Type: QDOVA001BB; Serial: 1041
- Measurement SW: DASY52, Version 52.10 (4); SEMCAD X Version 14.6.14 (7483)

**Pin=100mW/Area Scan (71x71x1):** Interpolated grid: dx=1.000 mm, dy=1.000 mm  
Maximum value of SAR (interpolated) = 21.2 W/kg

**Pin=100mW/Zoom Scan (7x7x7)/Cube 0:** Measurement grid: dx=4mm, dy=4mm, dz=1.4mm  
Reference Value = 68.78 V/m; Power Drift = -0.01 dB  
Peak SAR (extrapolated) = 33.2 W/kg  
**SAR(1 g) = 7.52 W/kg; SAR(10 g) = 2.11 W/kg**  
Maximum value of SAR (measured) = 19.9 W/kg



0 dB = 19.9 W/kg = 12.99 dBW/kg