

## System Check\_Head\_750MHz

### DUT: D750V3-1107

Communication System: CW; Frequency: 750 MHz; Duty Cycle: 1:1

Medium: HSL\_750\_220119 Medium parameters used:  $f = 750$  MHz;  $\sigma = 0.895$  S/m;  $\epsilon_r = 43.476$ ;  $\rho = 1000$  kg/m<sup>3</sup>

Ambient Temperature : 23.5 °C ; Liquid Temperature : 22.5 °C

### DASY5 Configuration

- Probe: EX3DV4 - SN7590; ConvF(11.12, 11.12, 11.12) @ 750 MHz; Calibrated: 2021/3/25
- Sensor-Surface: 1.4mm (Mechanical Surface Detection)
- Electronics: DAE4 Sn1311; Calibrated: 2021/8/20
- Phantom: ELI v4.0\_Right; Type: QDOVA001BB; Serial: TP:1029
- Measurement SW: DASY52, Version 52.10 (4); SEMCAD X Version 14.6.14 (7483)

**Pin=250mW/Area Scan (61x61x1):** Interpolated grid: dx=1.500 mm, dy=1.500 mm

Maximum value of SAR (interpolated) = 2.70 W/kg

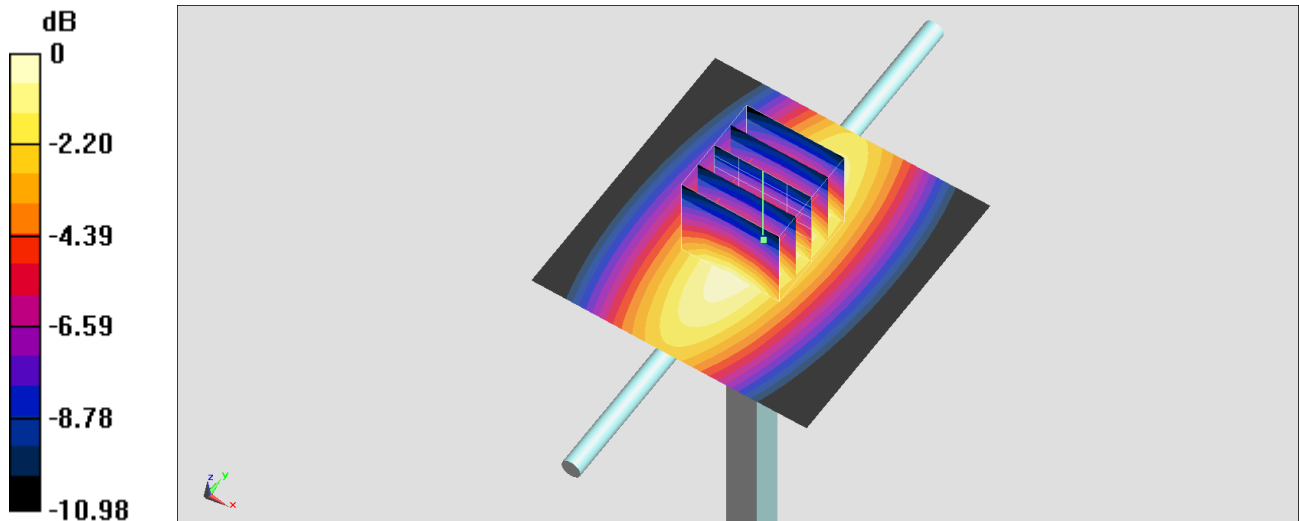
**Pin=250mW/Zoom Scan (5x5x7)/Cube 0:** Measurement grid: dx=8mm, dy=8mm, dz=5mm

Reference Value = 56.38 V/m; Power Drift = -0.12 dB

Peak SAR (extrapolated) = 3.14 W/kg

**SAR(1 g) = 2.12 W/kg; SAR(10 g) = 1.38 W/kg**

Maximum value of SAR (measured) = 2.67 W/kg



0 dB = 2.67 W/kg = 4.27 dBW/kg

## System Check\_Head\_750MHz

### DUT: D750V3-1107

Communication System: CW; Frequency: 750 MHz; Duty Cycle: 1:1

Medium: HSL\_750\_220119 Medium parameters used:  $f = 750$  MHz;  $\sigma = 0.895$  S/m;  $\epsilon_r = 43.476$ ;  $\rho = 1000$  kg/m<sup>3</sup>

Ambient Temperature : 23.5 °C ; Liquid Temperature : 22.5 °C

### DASY5 Configuration

- Probe: EX3DV4 - SN7350; ConvF(9.87, 9.87, 9.87) @ 750 MHz; Calibrated: 2021/12/20
- Sensor-Surface: 1.4mm (Mechanical Surface Detection)
- Electronics: DAE4 Sn1311; Calibrated: 2021/8/20
- Phantom: ELI v4.0\_Right; Type: QDOVA001BB; Serial: TP:1029
- Measurement SW: DASY52, Version 52.10 (4); SEMCAD X Version 14.6.14 (7483)

**Pin=50mW/Area Scan (61x61x1):** Interpolated grid: dx=1.500 mm, dy=1.500 mm

Maximum value of SAR (interpolated) = 0.553 W/kg

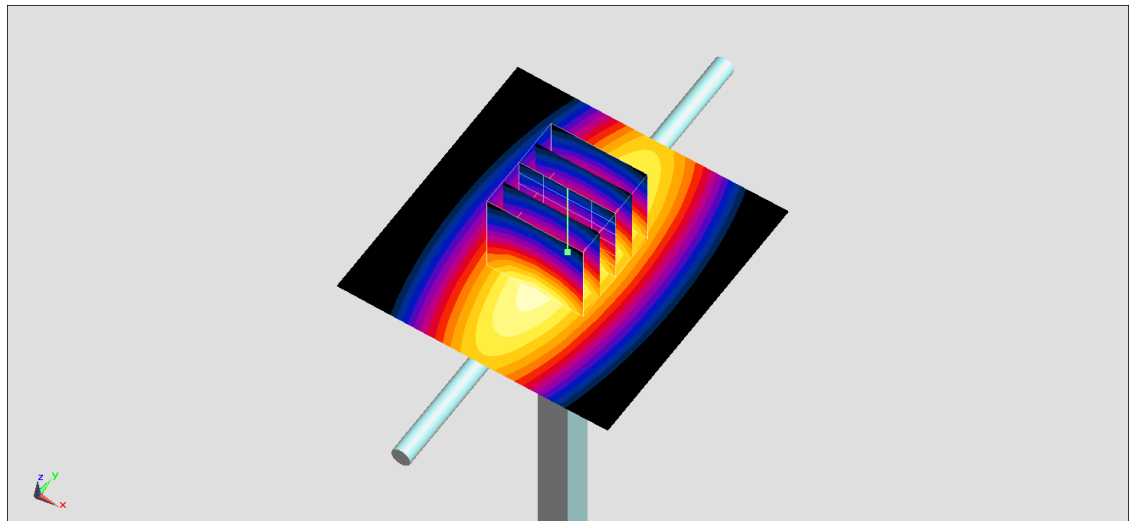
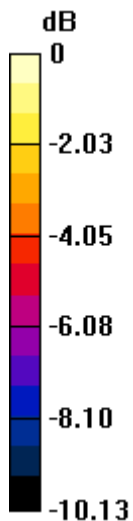
**Pin=50mW/Zoom Scan (5x5x7)/Cube 0:** Measurement grid: dx=8mm, dy=8mm, dz=5mm

Reference Value = 26.73 V/m; Power Drift = -0.10 dB

Peak SAR (extrapolated) = 0.603 W/kg

**SAR(1 g) = 0.429 W/kg; SAR(10 g) = 0.287 W/kg**

Maximum value of SAR (measured) = 0.553 W/kg



0 dB = 0.553 W/kg = -2.57 dBW/kg

## System Check\_Head\_750MHz

### DUT: D750V3-1107

Communication System: CW; Frequency: 750 MHz; Duty Cycle: 1:1

Medium: HSL\_750\_220123 Medium parameters used:  $f = 750$  MHz;  $\sigma = 0.883$  S/m;  $\epsilon_r = 43.146$ ;  $\rho = 1000$  kg/m<sup>3</sup>

Ambient Temperature : 23.5 °C ; Liquid Temperature : 22.5 °C

### DASY5 Configuration

- Probe: EX3DV4 - SN7350; ConvF(9.87, 9.87, 9.87) @ 750 MHz; Calibrated: 2021/12/20
- Sensor-Surface: 1.4mm (Mechanical Surface Detection)
- Electronics: DAE4 Sn1311; Calibrated: 2021/8/20
- Phantom: ELI v4.0\_Right; Type: QDOVA001BB; Serial: TP:1029
- Measurement SW: DASY52, Version 52.10 (4); SEMCAD X Version 14.6.14 (7483)

**Pin=50mW/Area Scan (61x61x1):** Interpolated grid: dx=1.500 mm, dy=1.500 mm

Maximum value of SAR (interpolated) = 0.546 W/kg

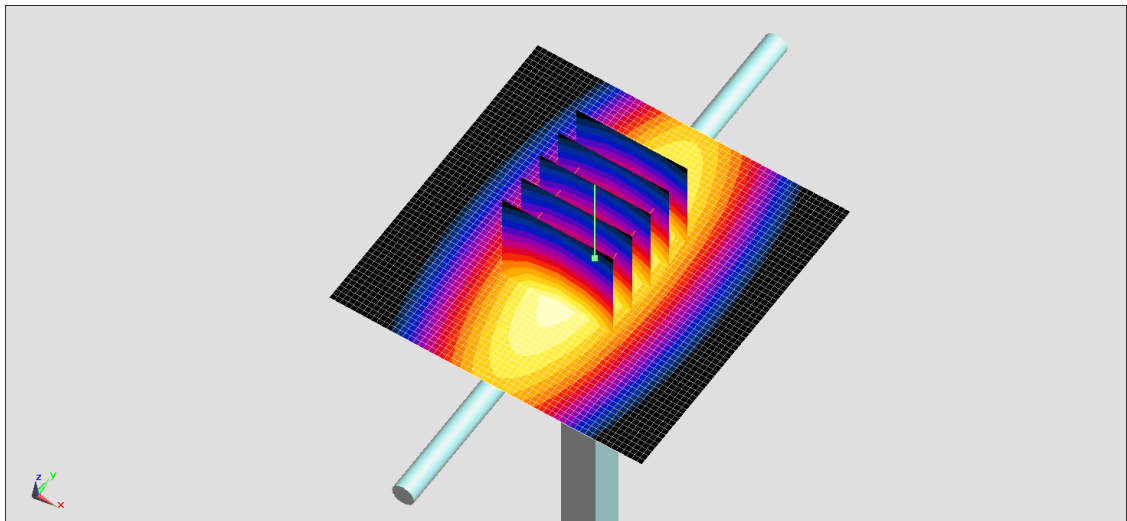
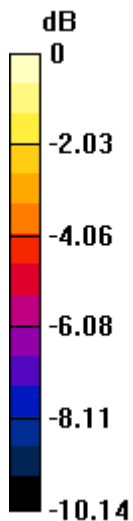
**Pin=50mW/Zoom Scan (5x5x7)/Cube 0:** Measurement grid: dx=8mm, dy=8mm, dz=5mm

Reference Value = 26.73 V/m; Power Drift = -0.10 dB

Peak SAR (extrapolated) = 0.595 W/kg

**SAR(1 g) = 0.423 W/kg; SAR(10 g) = 0.283 W/kg**

Maximum value of SAR (measured) = 0.546 W/kg



## System Check\_Head\_835MHz

### DUT: D835V2-4d167

Communication System: CW; Frequency: 835 MHz; Duty Cycle: 1:1

Medium: HSL\_850\_220119 Medium parameters used:  $f = 835$  MHz;  $\sigma = 0.926$  S/m;  $\epsilon_r = 42.88$ ;  $\rho = 1000$  kg/m<sup>3</sup>

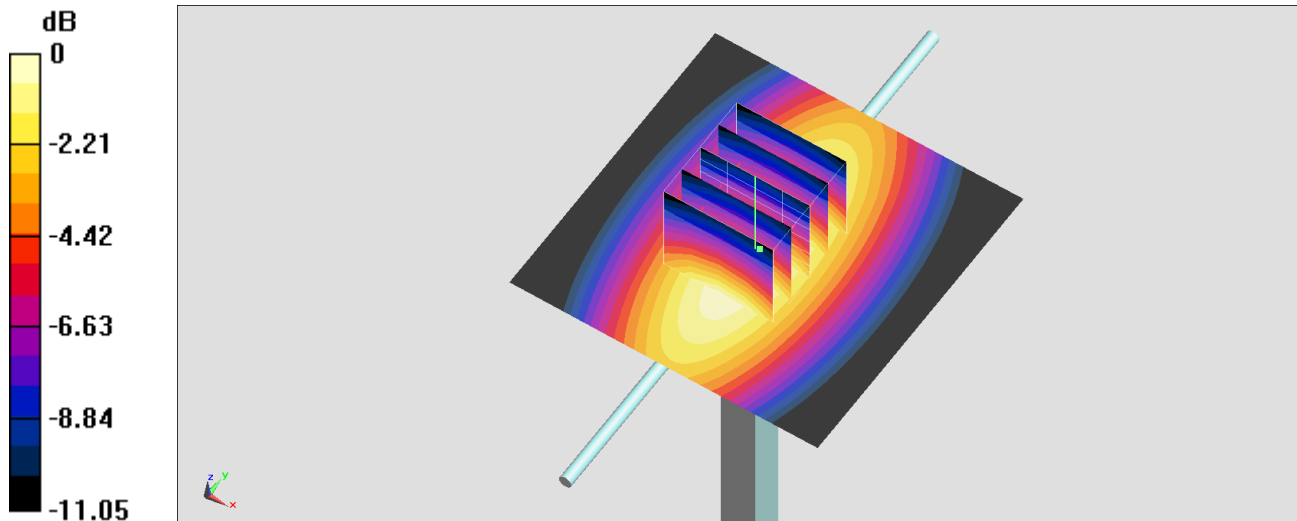
Ambient Temperature : 23.5 °C ; Liquid Temperature : 22.5 °C

### DASY5 Configuration

- Probe: EX3DV4 - SN7590; ConvF(10.73, 10.73, 10.73) @ 835 MHz; Calibrated: 2021/3/25
- Sensor-Surface: 1.4mm (Mechanical Surface Detection)
- Electronics: DAE4 Sn1311; Calibrated: 2021/8/20
- Phantom: ELI v4.0\_Right; Type: QDOVA001BB; Serial: TP:1029
- Measurement SW: DASY52, Version 52.10 (4); SEMCAD X Version 14.6.14 (7483)

**Pin=250mW/Area Scan (61x61x1):** Interpolated grid: dx=1.500 mm, dy=1.500 mm  
Maximum value of SAR (interpolated) = 2.90 W/kg

**Pin=250mW/Zoom Scan (5x5x7)/Cube 0:** Measurement grid: dx=8mm, dy=8mm, dz=5mm  
Reference Value = 56.32 V/m; Power Drift = -0.10 dB  
Peak SAR (extrapolated) = 3.74 W/kg  
**SAR(1 g) = 2.47 W/kg; SAR(10 g) = 1.6 W/kg**  
Maximum value of SAR (measured) = 2.89 W/kg



0 dB = 2.89 W/kg = 4.61 dBW/kg

## System Check\_Head\_835MHz

### DUT: D835V2-4d167

Communication System: CW; Frequency: 835 MHz; Duty Cycle: 1:1

Medium: HSL\_850\_220123 Medium parameters used:  $f = 835$  MHz;  $\sigma = 0.912$  S/m;  $\epsilon_r = 42.65$ ;  $\rho = 1000$  kg/m<sup>3</sup>

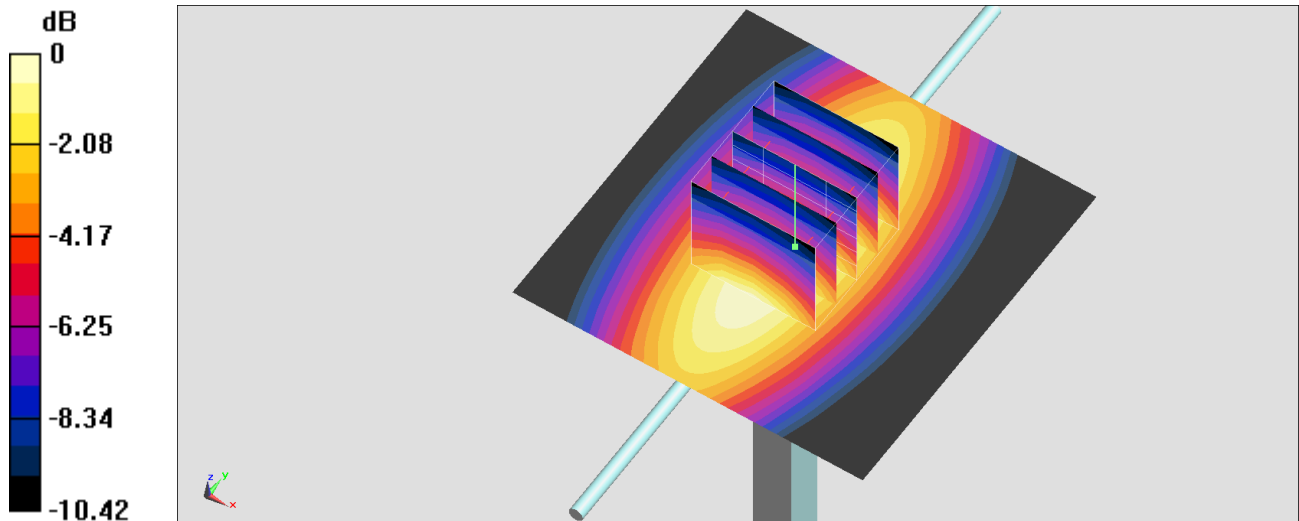
Ambient Temperature : 23.5 °C ; Liquid Temperature : 22.5 °C

### DASY5 Configuration

- Probe: EX3DV4 - SN7350; ConvF(9.91, 9.91, 9.91) @ 835 MHz; Calibrated: 2021/12/20
- Sensor-Surface: 1.4mm (Mechanical Surface Detection)
- Electronics: DAE4 Sn1311; Calibrated: 2021/8/20
- Phantom: ELI v4.0\_Right; Type: QDOVA001BB; Serial: TP:1029
- Measurement SW: DASY52, Version 52.10 (4); SEMCAD X Version 14.6.14 (7483)

**Pin=250mW/Area Scan (61x61x1):** Interpolated grid: dx=1.500 mm, dy=1.500 mm  
Maximum value of SAR (interpolated) = 3.02 W/kg

**Pin=250mW/Zoom Scan (5x5x7)/Cube 0:** Measurement grid: dx=8mm, dy=8mm, dz=5mm  
Reference Value = 59.71 V/m; Power Drift = -0.06 dB  
Peak SAR (extrapolated) = 3.19 W/kg  
**SAR(1 g) = 2.17 W/kg; SAR(10 g) = 1.44 W/kg**  
Maximum value of SAR (measured) = 2.86 W/kg



0 dB = 2.86 W/kg = 4.56 dBW/kg

## System Check\_Head\_1750MHz

### DUT: D1750V2-1112

Communication System: CW; Frequency: 1750 MHz; Duty Cycle: 1:1

Medium: HSL\_1750\_220120 Medium parameters used:  $f = 1750$  MHz;  $\sigma = 1.348$  S/m;  $\epsilon_r = 39.13$ ;  $\rho = 1000$  kg/m<sup>3</sup>

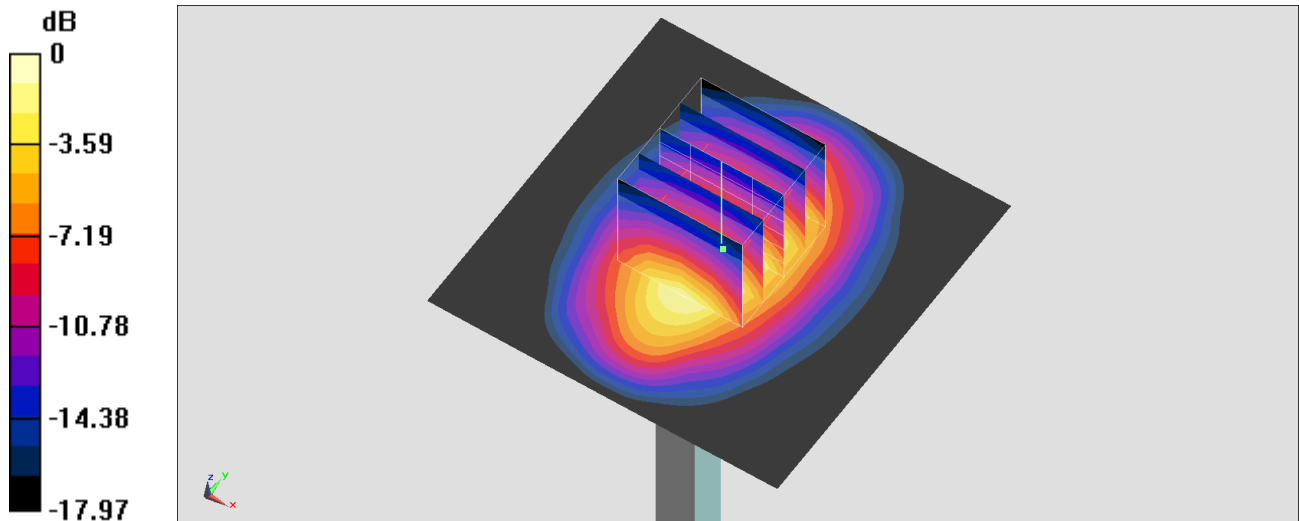
Ambient Temperature : 23.5 °C ; Liquid Temperature : 22.5 °C

### DASY5 Configuration

- Probe: EX3DV4 - SN7590; ConvF(8.84, 8.84, 8.84) @ 1750 MHz; Calibrated: 2021/3/25
- Sensor-Surface: 1.4mm (Mechanical Surface Detection)
- Electronics: DAE4 Sn1311; Calibrated: 2021/8/20
- Phantom: ELI v4.0\_Right; Type: QDOVA001BB; Serial: TP:1029
- Measurement SW: DASY52, Version 52.10 (4); SEMCAD X Version 14.6.14 (7483)

**Pin=250mW/Area Scan (61x61x1):** Interpolated grid: dx=1.500 mm, dy=1.500 mm  
Maximum value of SAR (interpolated) = 13.4 W/kg

**Pin=250mW/Zoom Scan (5x5x7)/Cube 0:** Measurement grid: dx=8mm, dy=8mm, dz=5mm  
Reference Value = 102.3 V/m; Power Drift = -0.08 dB  
Peak SAR (extrapolated) = 16.1 W/kg  
**SAR(1 g) = 8.44 W/kg; SAR(10 g) = 4.41 W/kg**  
Maximum value of SAR (measured) = 13.1 W/kg



0 dB = 13.1 W/kg = 11.17 dBW/kg

## System Check\_Head\_1750MHz

### DUT: D1750V2-1112

Communication System: CW ; Frequency: 1750 MHz;Duty Cycle: 1:1

Medium: HSL\_1750\_220120 Medium parameters used:  $f = 1750$  MHz;  $\sigma = 1.348$  S/m;  $\epsilon_r = 39.13$ ;  $\rho = 1000$  kg/m<sup>3</sup>

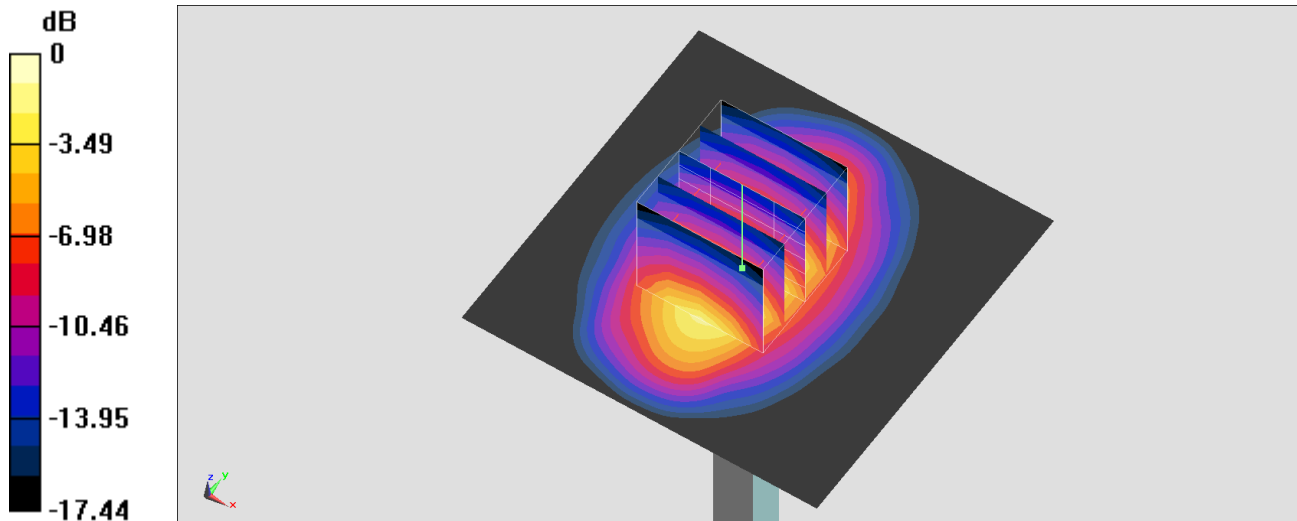
Ambient Temperature : 23.5 °C ; Liquid Temperature : 22.5 °C

### DASY5 Configuration

- Probe: EX3DV4 - SN7350; ConvF(8.71, 8.71, 8.71) @ 1750 MHz; Calibrated: 2021/12/20
- Sensor-Surface: 1.4mm (Mechanical Surface Detection)
- Electronics: DAE4 Sn1311; Calibrated: 2021/8/20
- Phantom: ELI v4.0\_Right; Type: QDOVA001BB; Serial: TP:1029
- Measurement SW: DASY52, Version 52.10 (4); SEMCAD X Version 14.6.14 (7483)

**Pin=250mW/Area Scan (61x61x1):** Interpolated grid: dx=1.500 mm, dy=1.500 mm  
Maximum value of SAR (interpolated) = 13.3 W/kg

**Pin=250mW/Zoom Scan (5x5x7)/Cube 0:** Measurement grid: dx=8mm, dy=8mm, dz=5mm  
Reference Value = 100.7 V/m; Power Drift = 0.15 dB  
Peak SAR (extrapolated) = 16.0 W/kg  
**SAR(1 g) = 8.65 W/kg; SAR(10 g) = 4.56 W/kg**  
Maximum value of SAR (measured) = 13.5 W/kg



## System Check\_Head\_1750MHz

### DUT: D1750V2-1112

Communication System: CW; Frequency: 1750 MHz; Duty Cycle: 1:1

Medium: HSL\_1750\_220122 Medium parameters used:  $f = 1750$  MHz;  $\sigma = 1.373$  S/m;  $\epsilon_r = 40.066$ ;  $\rho = 1000$  kg/m<sup>3</sup>

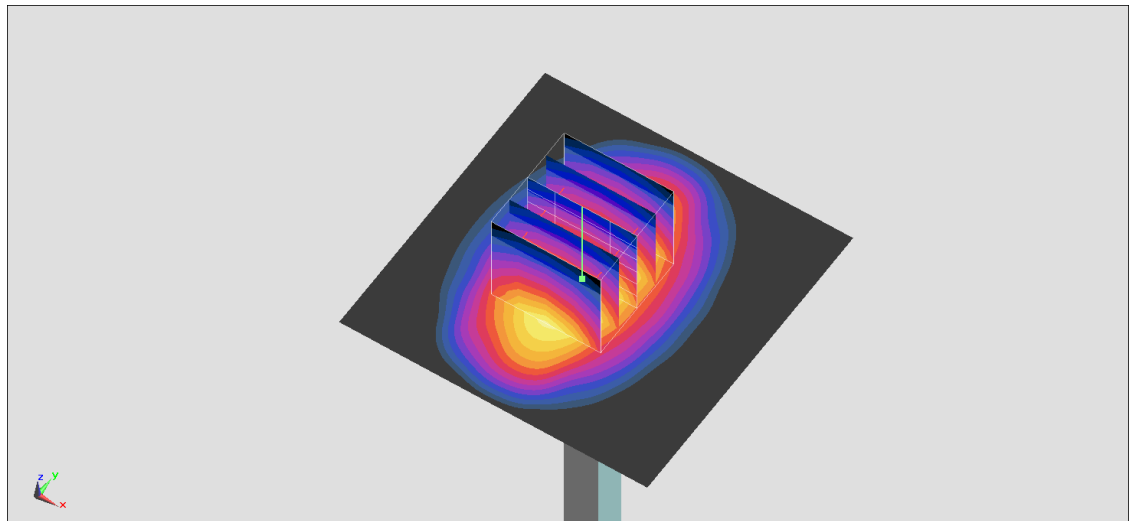
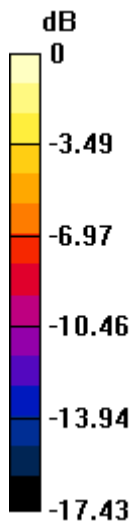
Ambient Temperature : 23.5 °C ; Liquid Temperature : 22.5 °C

### DASY5 Configuration

- Probe: EX3DV4 - SN7350; ConvF(8.71, 8.71, 8.71) @ 1750 MHz; Calibrated: 2021/12/20
- Sensor-Surface: 1.4mm (Mechanical Surface Detection)
- Electronics: DAE4 Sn1311; Calibrated: 2021/8/20
- Phantom: ELI v4.0\_Right; Type: QDOVA001BB; Serial: TP:1029
- Measurement SW: DASY52, Version 52.10 (4); SEMCAD X Version 14.6.14 (7483)

**Pin=250mW/Area Scan (61x61x1):** Interpolated grid: dx=1.500 mm, dy=1.500 mm  
 Maximum value of SAR (interpolated) = 13.5 W/kg

**Pin=250mW/Zoom Scan (5x5x7)/Cube 0:** Measurement grid: dx=8mm, dy=8mm, dz=5mm  
 Reference Value = 100.7 V/m; Power Drift = 0.04 dB  
 Peak SAR (extrapolated) = 16.3 W/kg  
**SAR(1 g) = 8.81 W/kg; SAR(10 g) = 4.64 W/kg**  
 Maximum value of SAR (measured) = 13.7 W/kg



0 dB = 13.7 W/kg = 11.37 dBW/kg



## System Check\_Head\_1900MHz

### DUT: D1900V2-5d185

Communication System: CW; Frequency: 1900 MHz; Duty Cycle: 1:1

Medium: HSL\_1900\_220120 Medium parameters used:  $f = 1900$  MHz;  $\sigma = 1.396$  S/m;  $\epsilon_r = 39.791$ ;  $\rho = 1000$  kg/m<sup>3</sup>

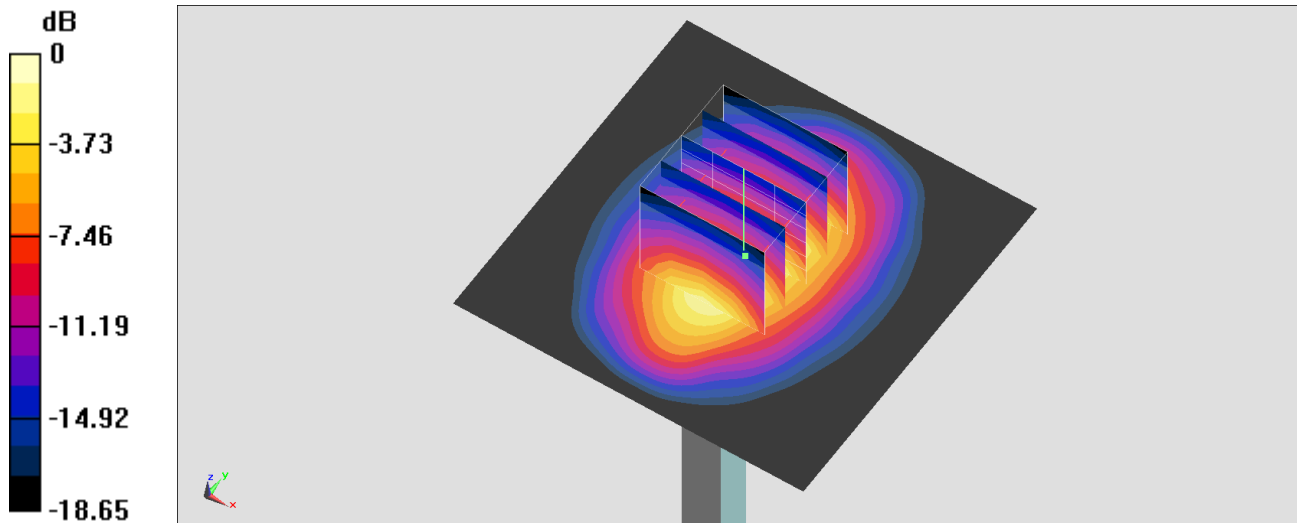
Ambient Temperature : 23.5 °C; Liquid Temperature : 22.5 °C

#### DASY5 Configuration

- Probe: EX3DV4 - SN7590; ConvF(8.65, 8.65, 8.65) @ 1900 MHz; Calibrated: 2021/3/25
- Sensor-Surface: 1.4mm (Mechanical Surface Detection)
- Electronics: DAE4 Sn1311; Calibrated: 2021/8/20
- Phantom: ELI v4.0\_Right; Type: QDOVA001BB; Serial: TP:1029
- Measurement SW: DASY52, Version 52.10 (4); SEMCAD X Version 14.6.14 (7483)

**Pin=250mW/Area Scan (61x61x1):** Interpolated grid: dx=1.500 mm, dy=1.500 mm  
 Maximum value of SAR (interpolated) = 14.2 W/kg

**Pin=250mW/Zoom Scan (5x5x7)/Cube 0:** Measurement grid: dx=8mm, dy=8mm, dz=5mm  
 Reference Value = 104.7 V/m; Power Drift = -0.10 dB  
 Peak SAR (extrapolated) = 17.1 W/kg  
**SAR(1 g) = 8.97 W/kg; SAR(10 g) = 4.62 W/kg**  
 Maximum value of SAR (measured) = 14.0 W/kg



0 dB = 14.0 W/kg = 11.46 dBW/kg

## System Check\_Head\_1900MHz

### DUT: D1900V2-5d185

Communication System: CW; Frequency: 1900 MHz; Duty Cycle: 1:1

Medium: HSL\_1900\_220122 Medium parameters used:  $f = 1900$  MHz;  $\sigma = 1.382$  S/m;  $\epsilon_r = 40.003$ ;  $\rho = 1000$  kg/m<sup>3</sup>

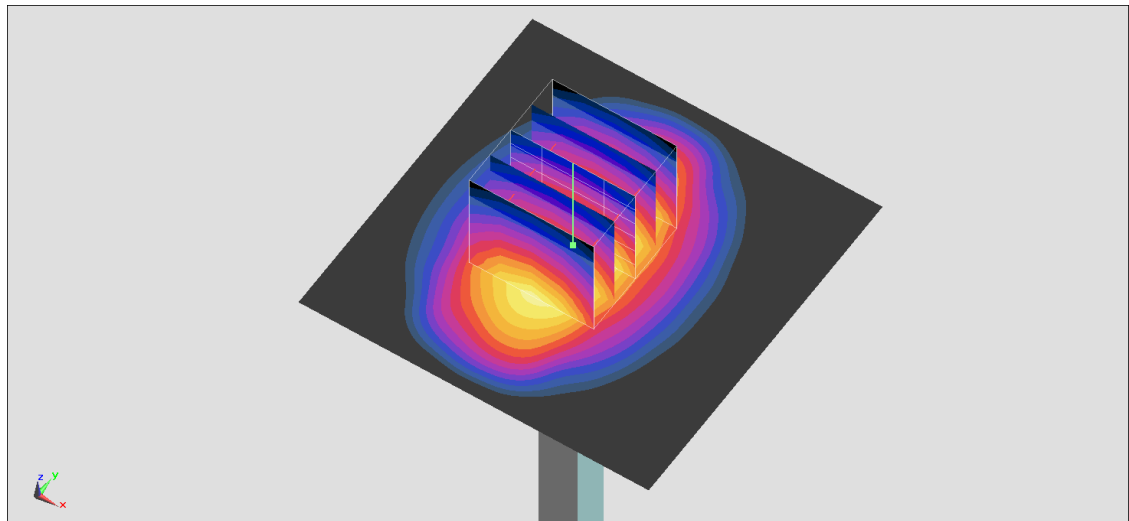
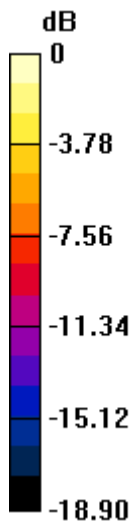
Ambient Temperature : 23.5 °C ; Liquid Temperature : 22.5 °C

### DASY5 Configuration

- Probe: EX3DV4 - SN7350; ConvF(8.28, 8.28, 8.28) @ 1900 MHz; Calibrated: 2021/12/20
- Sensor-Surface: 1.4mm (Mechanical Surface Detection)
- Electronics: DAE4 Sn1311; Calibrated: 2021/8/20
- Phantom: ELI v4.0\_Right; Type: QDOVA001BB; Serial: TP:1029
- Measurement SW: DASY52, Version 52.10 (4); SEMCAD X Version 14.6.14 (7483)

**Pin=250mW/Area Scan (61x61x1):** Interpolated grid: dx=1.500 mm, dy=1.500 mm  
Maximum value of SAR (interpolated) = 15.5 W/kg

**Pin=250mW/Zoom Scan (5x5x7)/Cube 0:** Measurement grid: dx=8mm, dy=8mm, dz=5mm  
Reference Value = 104.4 V/m; Power Drift = 0.04 dB  
Peak SAR (extrapolated) = 19.1 W/kg  
**SAR(1 g) = 9.93 W/kg; SAR(10 g) = 5.04 W/kg**  
Maximum value of SAR (measured) = 15.8 W/kg



0 dB = 15.8 W/kg = 11.99 dBW/kg

## System Check\_Head\_2300MHz

### DUT: D2300V2-1006

Communication System: CW; Frequency: 2300 MHz; Duty Cycle: 1:1

Medium: HSL\_2300\_220121 Medium parameters used:  $f = 2300$  MHz;  $\sigma = 1.644$  S/m;  $\epsilon_r = 39.752$ ;  $\rho = 1000$  kg/m<sup>3</sup>

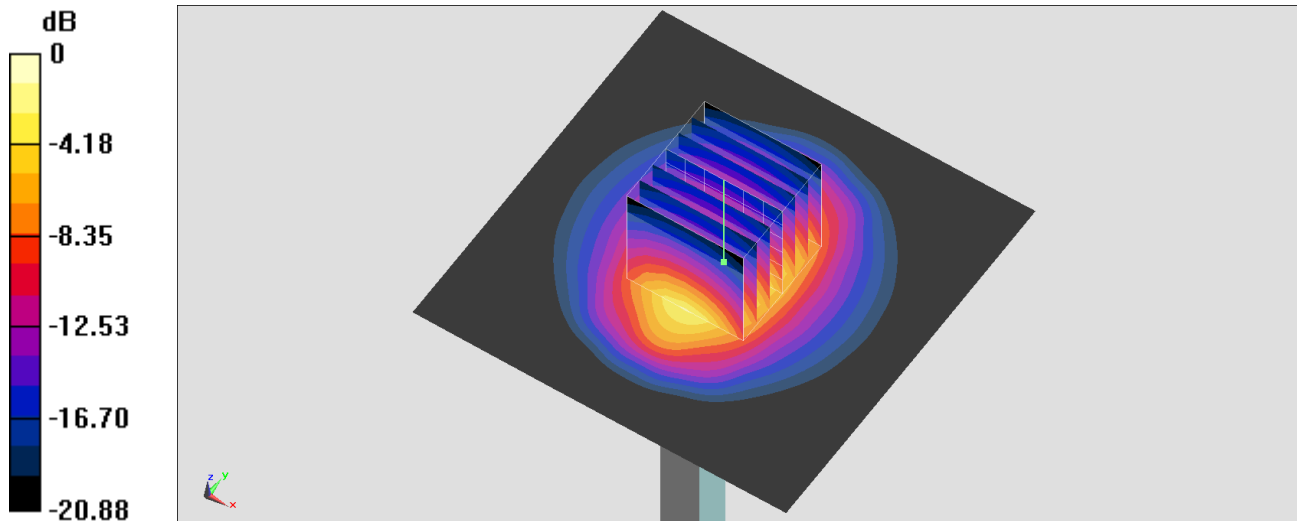
Ambient Temperature : 23.5 °C ; Liquid Temperature : 22.5 °C

### DASY5 Configuration

- Probe: EX3DV4 - SN7590; ConvF(8.29, 8.29, 8.29) @ 2300 MHz; Calibrated: 2021/3/25
- Sensor-Surface: 1.4mm (Mechanical Surface Detection)
- Electronics: DAE4 Sn1311; Calibrated: 2021/8/20
- Phantom: ELI v4.0\_Right; Type: QDOVA001BB; Serial: TP:1029
- Measurement SW: DASY52, Version 52.10 (4); SEMCAD X Version 14.6.14 (7483)

**Pin=250mW/Area Scan (81x81x1):** Interpolated grid: dx=1.200 mm, dy=1.200 mm  
 Maximum value of SAR (interpolated) = 19.8 W/kg

**Pin=250mW/Zoom Scan (7x7x7)/Cube 0:** Measurement grid: dx=5mm, dy=5mm, dz=5mm  
 Reference Value = 113.5 V/m; Power Drift = -0.10 dB  
 Peak SAR (extrapolated) = 24.5 W/kg  
**SAR(1 g) = 11.9 W/kg; SAR(10 g) = 5.68 W/kg**  
 Maximum value of SAR (measured) = 19.9 W/kg



0 dB = 19.9 W/kg = 12.99 dBW/kg

## System Check\_Head\_2450MHz

### DUT: D2450V2-736

Communication System: CW; Frequency: 2450 MHz; Duty Cycle: 1:1

Medium: HSL\_2450\_220127 Medium parameters used:  $f = 2450$  MHz;  $\sigma = 1.783$  S/m;  $\epsilon_r = 40.473$ ;  $\rho = 1000$  kg/m<sup>3</sup>

Ambient Temperature : 23.6 °C; Liquid Temperature : 22.6 °C

#### DASY5 Configuration:

- Probe: EX3DV4 - SN7439; ConvF(7.52, 7.52, 7.52) @ 2450 MHz; Calibrated: 2021/2/23
- Sensor-Surface: 1.4mm (Mechanical Surface Detection)
- Electronics: DAE4 Sn778; Calibrated: 2021/5/21
- Phantom: ELI V5.0; Type: QD OVA 002 Ax; Serial: 1131
- Measurement SW: DASY52, Version 52.10 (4); SEMCAD X Version 14.6.14 (7483)

**Pin=50mW/Area Scan (71x71x1):** Interpolated grid: dx=1.200 mm, dy=1.200 mm

Maximum value of SAR (interpolated) = 4.29 W/kg

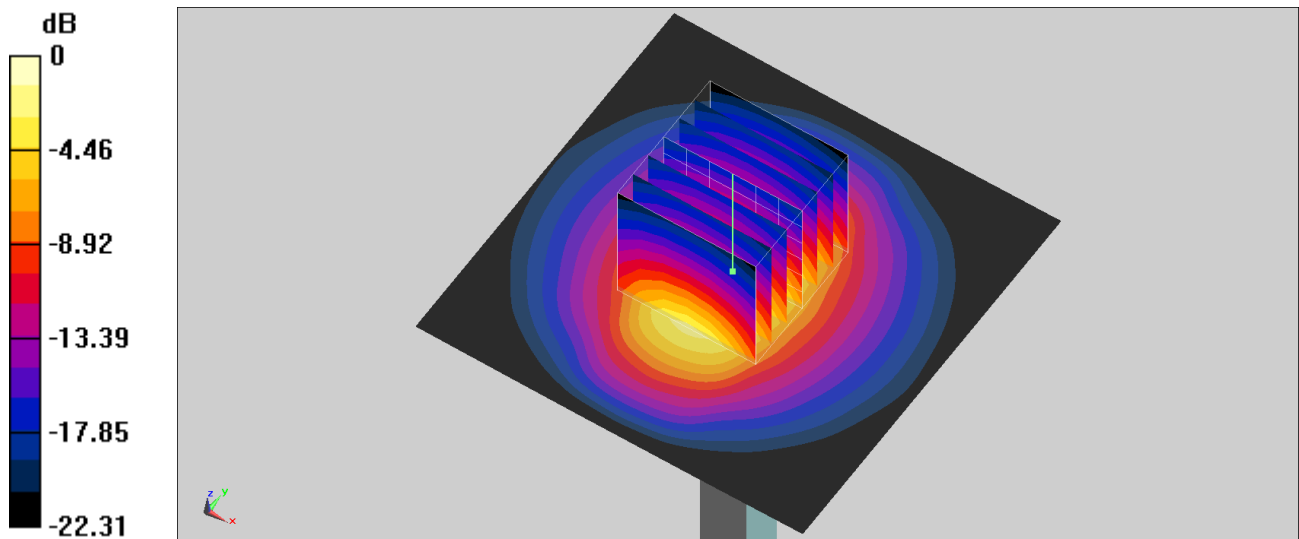
**Pin=50mW/Zoom Scan (7x7x7)/Cube 0:** Measurement grid: dx=5mm, dy=5mm, dz=5mm

Reference Value = 50.74 V/m; Power Drift = 0.04 dB

Peak SAR (extrapolated) = 5.27 W/kg

**SAR(1 g) = 2.56 W/kg; SAR(10 g) = 1.19 W/kg**

Maximum value of SAR (measured) = 4.26 W/kg



0 dB = 4.26 W/kg = 6.29 dBW/kg

## System Check\_Head\_2600MHz

### DUT: D2600V2-1078

Communication System: , CW; Frequency: 2600 MHz; Duty Cycle: 1:1

Medium: HSL\_2600\_220121 Medium parameters used:  $f = 2600$  MHz;  $\sigma = 1.963$  S/m;  $\epsilon_r = 38.687$ ;  $\rho = 1000$  kg/m<sup>3</sup>

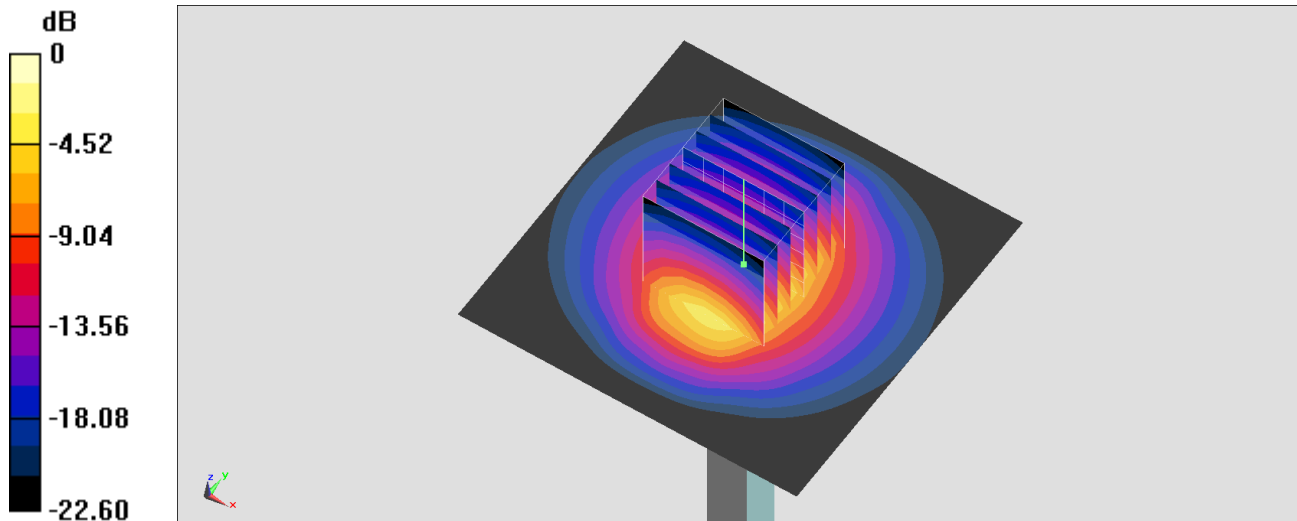
Ambient Temperature : 23.5 °C; Liquid Temperature : 22.5 °C

### DASY5 Configuration

- Probe: EX3DV4 - SN7590; ConvF(7.69, 7.69, 7.69) @ 2600 MHz; Calibrated: 2021/3/25
- Sensor-Surface: 1.4mm (Mechanical Surface Detection)
- Electronics: DAE4 Sn1311; Calibrated: 2021/8/20
- Phantom: ELI v4.0\_Right; Type: QDOVA001BB; Serial: TP:1029
- Measurement SW: DASY52, Version 52.10 (4); SEMCAD X Version 14.6.14 (7483)

**Pin=250mW/Area Scan (71x71x1):** Interpolated grid: dx=1.200 mm, dy=1.200 mm  
Maximum value of SAR (interpolated) = 24.0 W/kg

**Pin=250mW/Zoom Scan (7x7x7)/Cube 0:** Measurement grid: dx=5mm, dy=5mm, dz=5mm  
Reference Value = 115.1 V/m; Power Drift = -0.10 dB  
Peak SAR (extrapolated) = 29.0 W/kg  
**SAR(1 g) = 14.1 W/kg; SAR(10 g) = 6.43 W/kg**  
Maximum value of SAR (measured) = 23.7 W/kg



0 dB = 23.7 W/kg = 13.75 dBW/kg

## System Check\_Head\_2600MHz

### DUT: D2600V2-1078

Communication System: CW; Frequency: 2600 MHz; Duty Cycle: 1:1

Medium: HSL\_2600\_220124 Medium parameters used:  $f = 2600$  MHz;  $\sigma = 2.025$  S/m;  $\epsilon_r = 39.067$ ;  $\rho = 1000$  kg/m<sup>3</sup>

Ambient Temperature : 23.5 °C; Liquid Temperature : 22.5 °C

### DASY5 Configuration

- Probe: EX3DV4 - SN7350; ConvF(7.58, 7.58, 7.58) @ 2600 MHz; Calibrated: 2021/12/20
- Sensor-Surface: 1.4mm (Mechanical Surface Detection)
- Electronics: DAE4 Sn1311; Calibrated: 2021/8/20
- Phantom: ELI v4.0\_Right; Type: QDOVA001BB; Serial: TP:1029
- Measurement SW: DASY52, Version 52.10 (4); SEMCAD X Version 14.6.14 (7483)

**Pin=50mW/Area Scan (71x71x1):** Interpolated grid: dx=1.200 mm, dy=1.200 mm

Maximum value of SAR (interpolated) = 4.71 W/kg

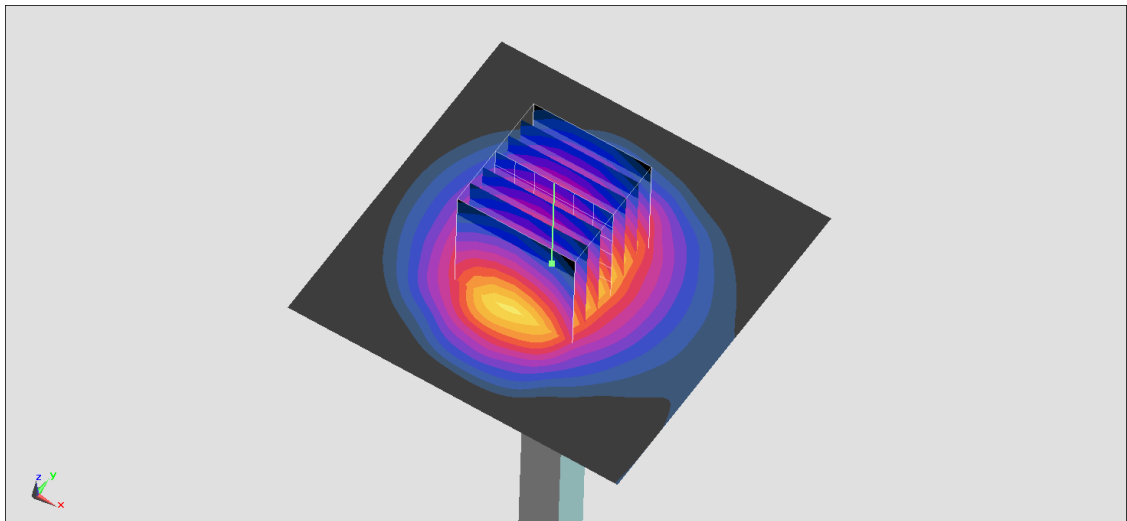
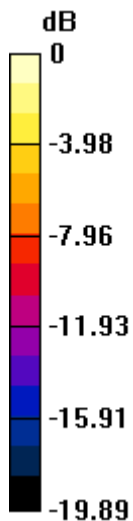
**Pin=50mW/Zoom Scan (7x7x7)/Cube 0:** Measurement grid: dx=5mm, dy=5mm, dz=5mm

Reference Value = 49.97 V/m; Power Drift = -0.01 dB

Peak SAR (extrapolated) = 5.40 W/kg

**SAR(1 g) = 2.94 W/kg; SAR(10 g) = 1.39 W/kg**

Maximum value of SAR (measured) = 4.61 W/kg



0 dB = 4.61 W/kg = 6.64 dBW/kg

## System Check\_Head\_3300MHz

### DUT: D3300V2-1005

Communication System: CW; Frequency: 3300 MHz; Duty Cycle: 1:1

Medium: HSL\_3300~4200\_220125 Medium parameters used:  $f = 3300$  MHz;  $\sigma = 2.71$  S/m;  $\epsilon_r = 38.269$ ;  $\rho = 1000$  kg/m<sup>3</sup>

Ambient Temperature : 23.5 °C ; Liquid Temperature : 22.5 °C

### DASY5 Configuration

- Probe: EX3DV4 - SN7350; ConvF(7.08, 7.08, 7.08) @ 3300 MHz; Calibrated: 2021/12/20
- Sensor-Surface: 1.4mm (Mechanical Surface Detection)
- Electronics: DAE4 Sn1311; Calibrated: 2021/8/20
- Phantom: ELI v4.0; Type: QDOVA002AA; Serial: TP:1127
- Measurement SW: DASY52, Version 52.10 (4); SEMCAD X Version 14.6.14 (7483)

**Pin=50mW/Area Scan (71x71x1):** Interpolated grid: dx=1.200 mm, dy=1.200 mm

Maximum value of SAR (interpolated) = 5.76 W/kg

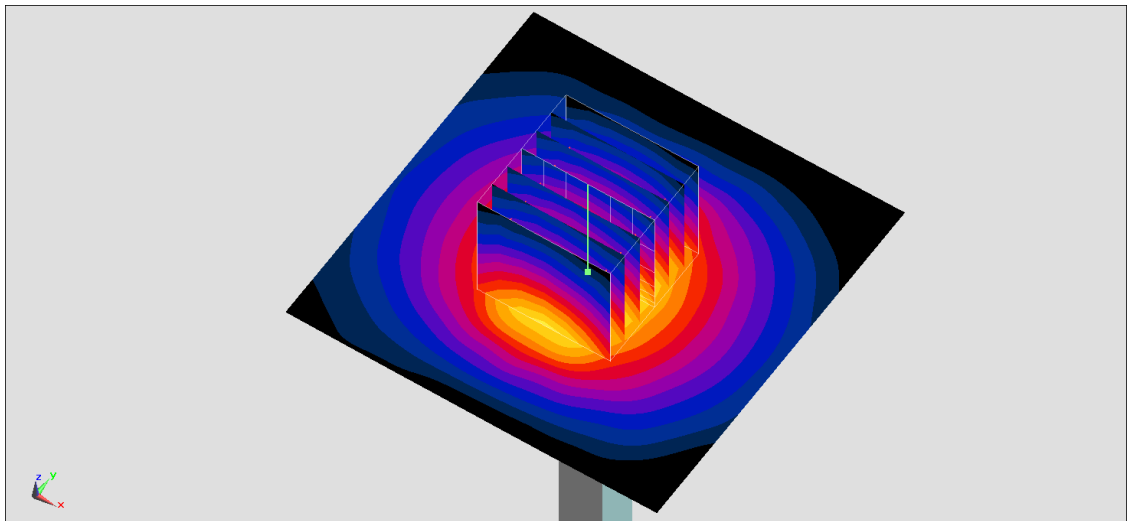
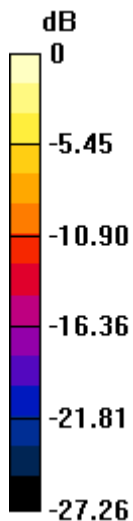
**Pin=50mW/Zoom Scan (7x7x7)/Cube 0:** Measurement grid: dx=5mm, dy=5mm, dz=1.4mm

Reference Value = 49.70 V/m; Power Drift = -0.14 dB

Peak SAR (extrapolated) = 8.08 W/kg

**SAR(1 g) = 3.18 W/kg; SAR(10 g) = 1.22 W/kg**

Maximum value of SAR (measured) = 6.14 W/kg



0 dB = 6.14 W/kg = 7.88 dBW/kg

## System Check\_Head\_3500MHz

### DUT: D3500V2-1014

Communication System: CW; Frequency: 3500 MHz; Duty Cycle: 1:1

Medium: HSL\_3300~4200\_220118 Medium parameters used:  $f = 3500$  MHz;  $\sigma = 2.911$  S/m;  $\epsilon_r = 38.297$ ;  $\rho = 1000$  kg/m<sup>3</sup>

Ambient Temperature : 23.5 °C; Liquid Temperature : 22.5 °C

### DASY5 Configuration

- Probe: EX3DV4 - SN7350; ConvF(6.9, 6.9, 6.9) @ 3500 MHz; Calibrated: 2021/12/20
- Sensor-Surface: 1.4mm (Mechanical Surface Detection)
- Electronics: DAE4 Sn1311; Calibrated: 2021/8/20
- Phantom: ELI v4.0; Type: QDOVA002AA; Serial: TP:1127
- Measurement SW: DASY52, Version 52.10 (4); SEMCAD X Version 14.6.14 (7483)

**Pin=50mW/Area Scan (91x91x1):** Interpolated grid: dx=1.000 mm, dy=1.000 mm

Maximum value of SAR (interpolated) = 6.91 W/kg

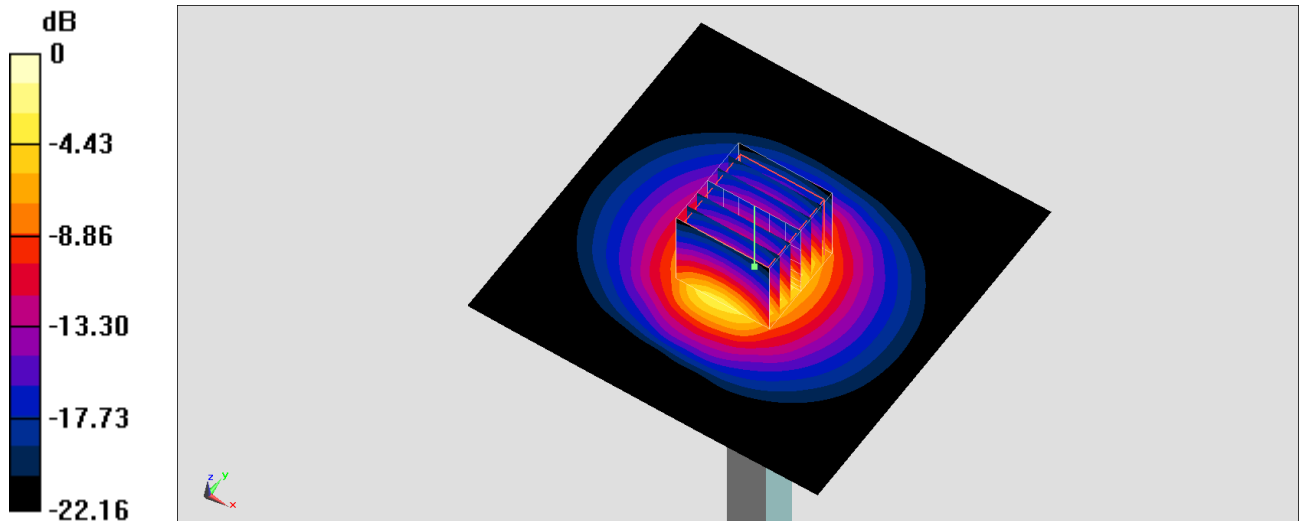
**Pin=50mW/Zoom Scan (7x7x7)/Cube 0:** Measurement grid: dx=4mm, dy=4mm, dz=1.4mm

Reference Value = 51.15 V/m; Power Drift = -0.16 dB

Peak SAR (extrapolated) = 8.76 W/kg

**SAR(1 g) = 3.47 W/kg; SAR(10 g) = 1.34 W/kg**

Maximum value of SAR (measured) = 6.68 W/kg



0 dB = 6.68 W/kg = 8.25 dBW/kg



## System Check\_Head\_3500MHz

### DUT: D3500V2-1014

Communication System: CW; Frequency: 3500 MHz; Duty Cycle: 1:1

Medium: HSL\_3300~4200\_220125 Medium parameters used:  $f = 3500$  MHz;  $\sigma = 2.916$  S/m;  $\epsilon_r = 38.043$ ;  $\rho = 1000$  kg/m<sup>3</sup>

Ambient Temperature : 23.5 °C; Liquid Temperature : 22.5 °C

### DASY5 Configuration

- Probe: EX3DV4 - SN7350; ConvF(6.9, 6.9, 6.9) @ 3500 MHz; Calibrated: 2021/12/20
- Sensor-Surface: 1.4mm (Mechanical Surface Detection)
- Electronics: DAE4 Sn1311; Calibrated: 2021/8/20
- Phantom: ELI v4.0; Type: QDOVA002AA; Serial: TP:1127
- Measurement SW: DASY52, Version 52.10 (4); SEMCAD X Version 14.6.14 (7483)

**Pin=50mW/Area Scan (91x91x1):** Interpolated grid: dx=1.000 mm, dy=1.000 mm

Maximum value of SAR (interpolated) = 6.92 W/kg

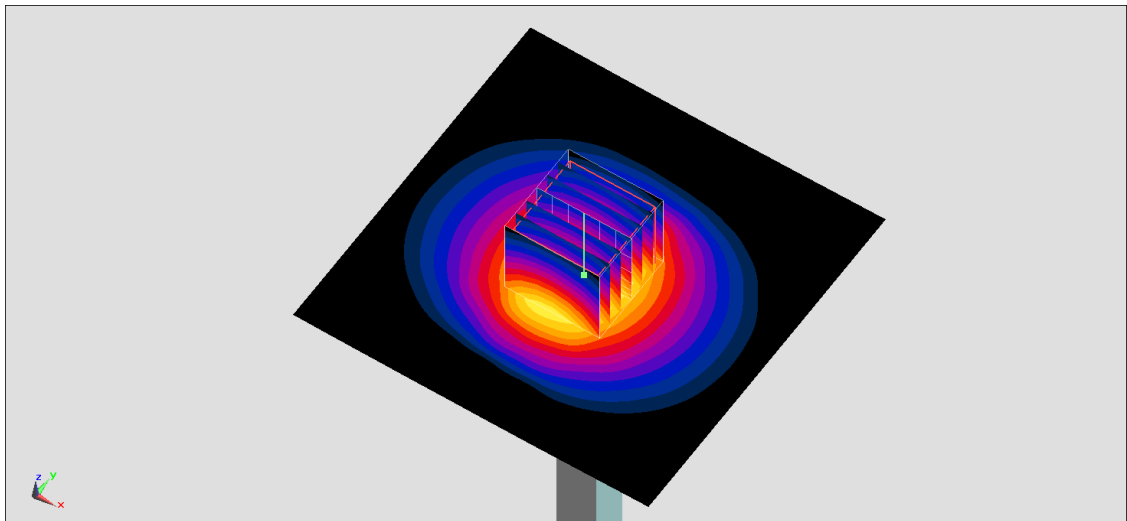
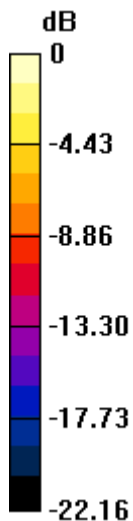
**Pin=50mW/Zoom Scan (7x7x7)/Cube 0:** Measurement grid: dx=4mm, dy=4mm, dz=1.4mm

Reference Value = 51.15 V/m; Power Drift = -0.06 dB

Peak SAR (extrapolated) = 8.78 W/kg

**SAR(1 g) = 3.48 W/kg; SAR(10 g) = 1.34 W/kg**

Maximum value of SAR (measured) = 6.69 W/kg



## System Check\_Head\_3700MHz

### DUT: D3700V2-1022

Communication System: CW; Frequency: 3700 MHz; Duty Cycle: 1:1

Medium: HSL\_3300~4200\_220118 Medium parameters used:  $f = 3700$  MHz;  $\sigma = 3.132$  S/m;  $\epsilon_r = 37.985$ ;  $\rho = 1000$  kg/m<sup>3</sup>

Ambient Temperature : 23.5 °C ; Liquid Temperature : 22.5 °C

### DASY5 Configuration

- Probe: EX3DV4 - SN7350; ConvF(6.89, 6.89, 6.89) @ 3700 MHz; Calibrated: 2021/12/20
- Sensor-Surface: 1.4mm (Mechanical Surface Detection)
- Electronics: DAE4 Sn1311; Calibrated: 2021/8/20
- Phantom: ELI v4.0; Type: QDOVA002AA; Serial: TP:1127
- Measurement SW: DASY52, Version 52.10 (4); SEMCAD X Version 14.6.14 (7483)

**Pin=50mW/Area Scan (71x71x1):** Interpolated grid: dx=1.200 mm, dy=1.200 mm

Maximum value of SAR (interpolated) = 6.87 W/kg

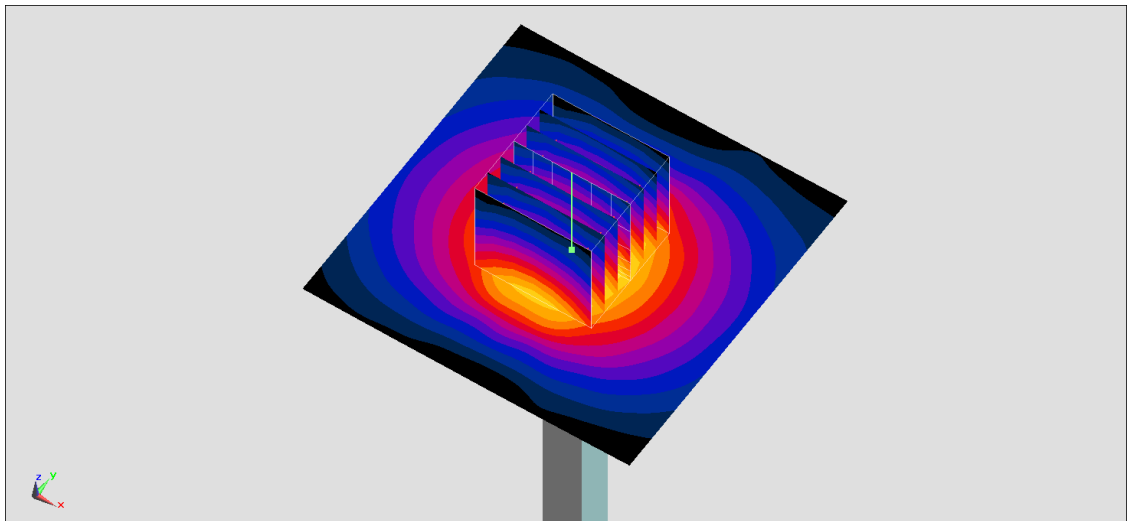
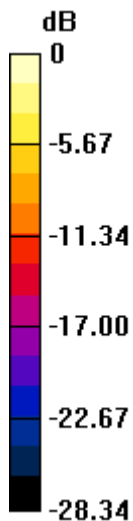
**Pin=50mW/Zoom Scan (7x7x7)/Cube 0:** Measurement grid: dx=5mm, dy=5mm, dz=1.4mm

Reference Value = 49.93 V/m; Power Drift = -0.09 dB

Peak SAR (extrapolated) = 9.20 W/kg

**SAR(1 g) = 3.48 W/kg; SAR(10 g) = 1.3 W/kg**

Maximum value of SAR (measured) = 6.86 W/kg



0 dB = 6.86 W/kg = 8.36 dBW/kg

## System Check\_Head\_3700MHz

### DUT: D3700V2-1022

Communication System: CW; Frequency: 3700 MHz; Duty Cycle: 1:1

Medium: HSL\_3300~4200\_220125 Medium parameters used:  $f = 3700$  MHz;  $\sigma = 3.121$  S/m;  $\epsilon_r = 37.817$ ;  $\rho = 1000$  kg/m<sup>3</sup>

Ambient Temperature : 23.5 °C; Liquid Temperature : 22.5 °C

### DASY5 Configuration

- Probe: EX3DV4 - SN7350; ConvF(6.89, 6.89, 6.89) @ 3700 MHz; Calibrated: 2021/12/20
- Sensor-Surface: 1.4mm (Mechanical Surface Detection)
- Electronics: DAE4 Sn1311; Calibrated: 2021/8/20
- Phantom: ELI v4.0; Type: QDOVA002AA; Serial: TP:1127
- Measurement SW: DASY52, Version 52.10 (4); SEMCAD X Version 14.6.14 (7483)

**Pin=50mW/Area Scan (71x71x1):** Interpolated grid: dx=1.200 mm, dy=1.200 mm

Maximum value of SAR (interpolated) = 6.85 W/kg

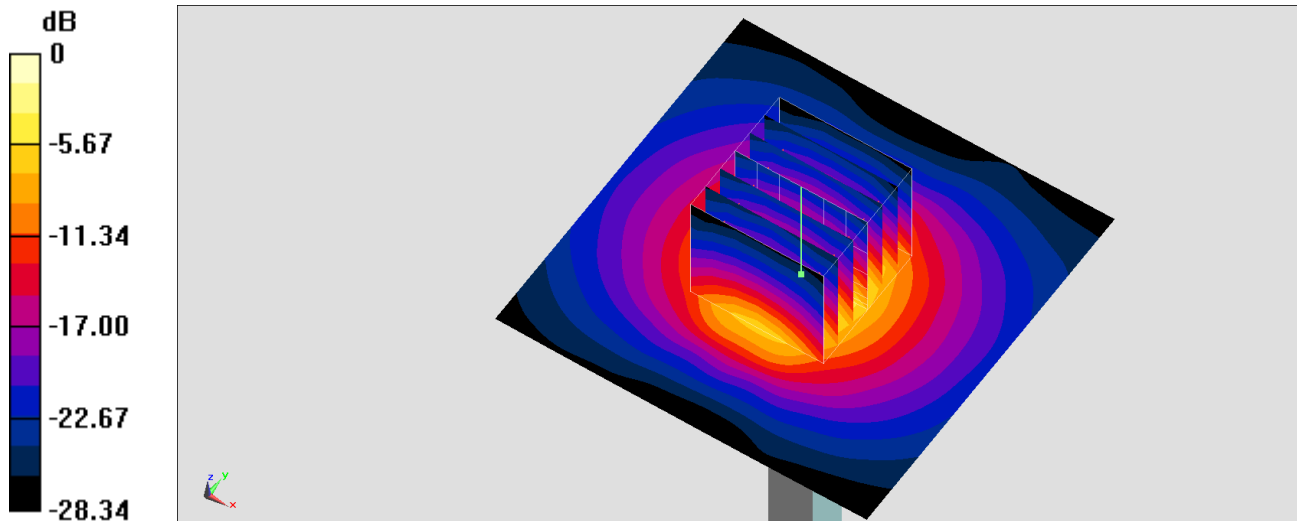
**Pin=50mW/Zoom Scan (7x7x7)/Cube 0:** Measurement grid: dx=5mm, dy=5mm, dz=1.4mm

Reference Value = 49.93 V/m; Power Drift = -0.09 dB

Peak SAR (extrapolated) = 9.17 W/kg

**SAR(1 g) = 3.47 W/kg; SAR(10 g) = 1.29 W/kg**

Maximum value of SAR (measured) = 6.83 W/kg



0 dB = 6.83 W/kg = 8.34 dBW/kg

## System Check\_Head\_3900MHz

### DUT: D3900V2-1017-3900

Communication System: CW; Frequency: 3900 MHz; Duty Cycle: 1:1

Medium: HSL\_3300~4200\_220125 Medium parameters used:  $f = 3900$  MHz;  $\sigma = 3.326$  S/m;  $\epsilon_r = 37.59$ ;  $\rho = 1000$  kg/m<sup>3</sup>

Ambient Temperature : 23.5 °C ; Liquid Temperature : 22.5 °C

#### DASY5 Configuration

- Probe: EX3DV4 - SN7350; ConvF(6.86, 6.86, 6.86) @ 3900 MHz; Calibrated: 2021/12/20
- Sensor-Surface: 1.4mm (Mechanical Surface Detection)
- Electronics: DAE4 Sn1311; Calibrated: 2021/8/20
- Phantom: ELI v4.0; Type: QDOVA002AA; Serial: TP:1127
- Measurement SW: DASY52, Version 52.10 (4); SEMCAD X Version 14.6.14 (7483)

**Pin=100mW/Area Scan (61x61x1):** Interpolated grid: dx=1.200 mm, dy=1.200 mm

Maximum value of SAR (interpolated) = 13.9 W/kg

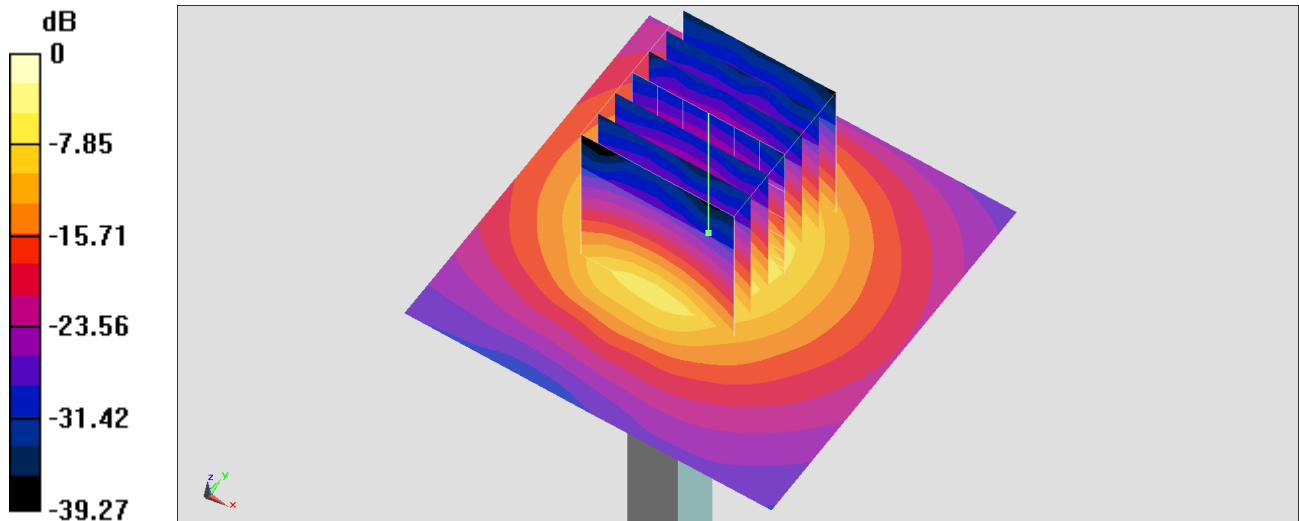
**Pin=100mW/Zoom Scan (7x7x8)/Cube 0:** Measurement grid: dx=5mm, dy=5mm, dz=1.4mm

Reference Value = 60.12 V/m; Power Drift = 0.09 dB

Peak SAR (extrapolated) = 18.6 W/kg

**SAR(1 g) = 6.83 W/kg; SAR(10 g) = 2.47 W/kg**

Maximum value of SAR (measured) = 13.8 W/kg



0 dB = 13.8 W/kg = 11.40 dBW/kg

## System Check\_Head\_5250MHz

### DUT: D5GHzV2-1006

Communication System: CW; Frequency: 5250 MHz; Duty Cycle: 1:1

Medium: HSL\_5G\_220128 Medium parameters used:  $f = 5250$  MHz;  $\sigma = 4.66$  S/m;  $\epsilon_r = 36.379$ ;  $\rho = 1000$  kg/m<sup>3</sup>

Ambient Temperature : 23.6 °C; Liquid Temperature : 22.6 °C

#### DASY5 Configuration:

- Probe: EX3DV4 - SN7439; ConvF(5.23, 5.23, 5.23) @ 5250 MHz; Calibrated: 2021/2/23
- Sensor-Surface: 1.4mm (Mechanical Surface Detection)
- Electronics: DAE4 Sn778; Calibrated: 2021/5/21
- Phantom: ELI V5.0; Type: QD OVA 002 Ax; Serial: 1131
- Measurement SW: DASY52, Version 52.10 (4); SEMCAD X Version 14.6.14 (7483)

**Pin=50mW/Area Scan (71x71x1):** Interpolated grid: dx=1.000 mm, dy=1.000 mm

Maximum value of SAR (interpolated) = 9.47 W/kg

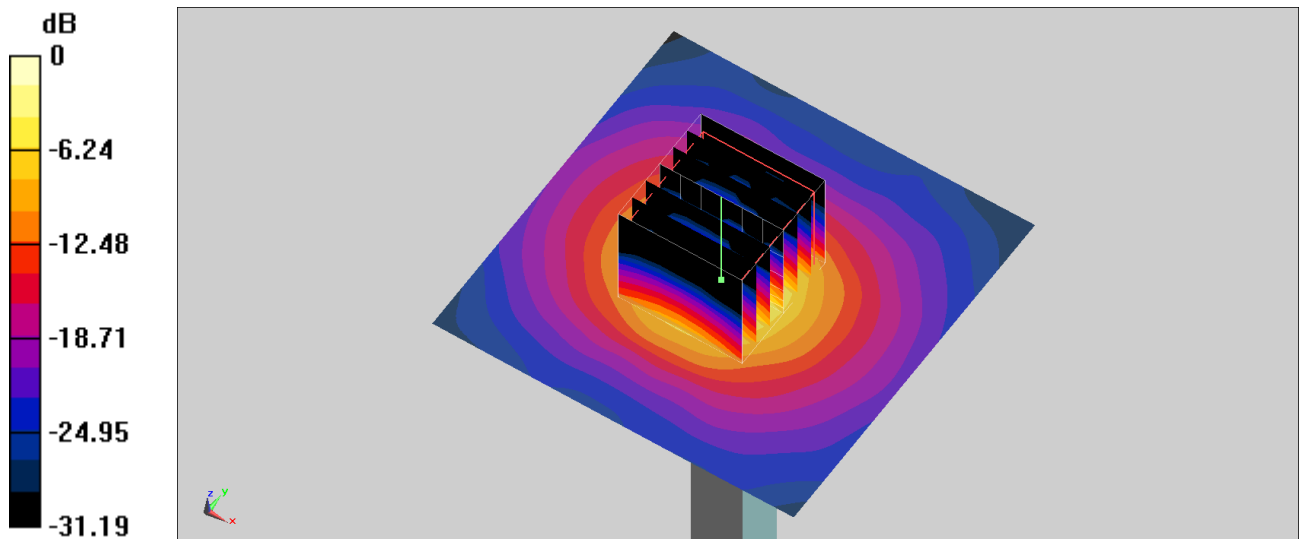
**Pin=50mW/Zoom Scan (7x7x7)/Cube 0:** Measurement grid: dx=4mm, dy=4mm, dz=1.4mm

Reference Value = 50.25 V/m; Power Drift = -0.01 dB

Peak SAR (extrapolated) = 15.9 W/kg

**SAR(1 g) = 4.02 W/kg; SAR(10 g) = 1.15 W/kg**

Maximum value of SAR (measured) = 10.1 W/kg



0 dB = 10.1 W/kg = 10.04 dBW/kg

## System Check\_Head\_5600MHz

### DUT: D5GHzV2-1006

Communication System: CW; Frequency: 5600 MHz; Duty Cycle: 1:1

Medium: HSL\_5G\_220128 Medium parameters used:  $f = 5600$  MHz;  $\sigma = 4.996$  S/m;  $\epsilon_r = 35.91$ ;  $\rho = 1000$  kg/m<sup>3</sup>

Ambient Temperature : 23.6 °C; Liquid Temperature : 22.6 °C

#### DASY5 Configuration:

- Probe: EX3DV4 - SN7439; ConvF(4.59, 4.59, 4.59) @ 5600 MHz; Calibrated: 2021/2/23
- Sensor-Surface: 1.4mm (Mechanical Surface Detection)
- Electronics: DAE4 Sn778; Calibrated: 2021/5/21
- Phantom: ELI V5.0; Type: QD OVA 002 Ax; Serial: 1131
- Measurement SW: DASY52, Version 52.10 (4); SEMCAD X Version 14.6.14 (7483)

**Pin=50mW/Area Scan (71x71x1):** Interpolated grid: dx=1.000 mm, dy=1.000 mm

Maximum value of SAR (interpolated) = 11.3 W/kg

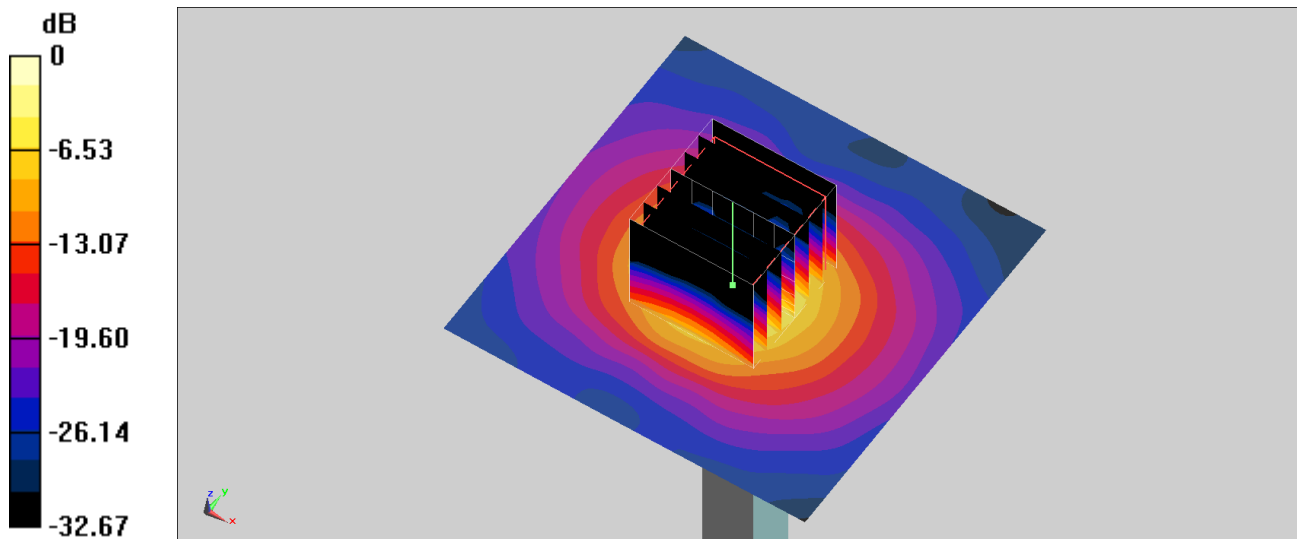
**Pin=50mW/Zoom Scan (7x7x7)/Cube 0:** Measurement grid: dx=4mm, dy=4mm, dz=1.4mm

Reference Value = 52.14 V/m; Power Drift = 0.01 dB

Peak SAR (extrapolated) = 19.9 W/kg

**SAR(1 g) = 4.54 W/kg; SAR(10 g) = 1.28 W/kg**

Maximum value of SAR (measured) = 11.8 W/kg



0 dB = 11.8 W/kg = 10.72 dBW/kg

## System Check\_Head\_5750MHz

### DUT: D5GHzV2-1006

Communication System: CW; Frequency: 5750 MHz; Duty Cycle: 1:1

Medium: HSL\_5G\_220128 Medium parameters used:  $f = 5750$  MHz;  $\sigma = 5.159$  S/m;  $\epsilon_r = 35.674$ ;  $\rho = 1000$  kg/m<sup>3</sup>

Ambient Temperature : 23.6 °C; Liquid Temperature : 22.6 °C

#### DASY5 Configuration:

- Probe: EX3DV4 - SN7439; ConvF(4.81, 4.81, 4.81) @ 5750 MHz; Calibrated: 2021/2/23
- Sensor-Surface: 1.4mm (Mechanical Surface Detection)
- Electronics: DAE4 Sn778; Calibrated: 2021/5/21
- Phantom: ELI V5.0; Type: QD OVA 002 Ax; Serial: 1131
- Measurement SW: DASY52, Version 52.10 (4); SEMCAD X Version 14.6.14 (7483)

**Pin=50mW/Area Scan (71x71x1):** Interpolated grid: dx=1.000 mm, dy=1.000 mm

Maximum value of SAR (interpolated) = 9.66 W/kg

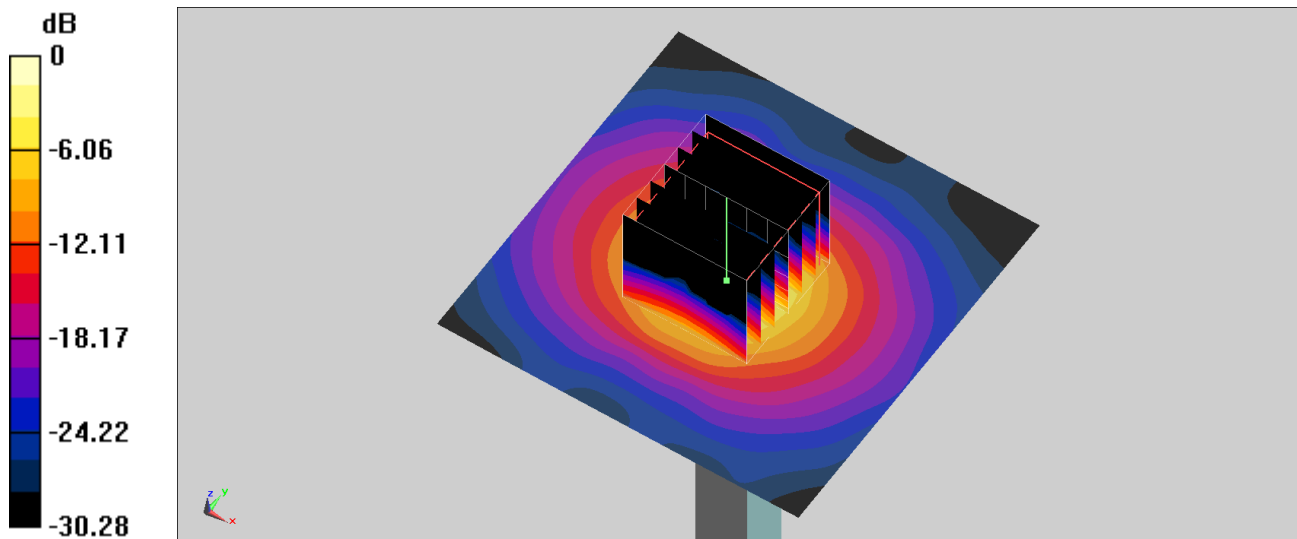
**Pin=50mW/Zoom Scan (7x7x7)/Cube 0:** Measurement grid: dx=4mm, dy=4mm, dz=1.4mm

Reference Value = 48.12 V/m; Power Drift = -0.01 dB

Peak SAR (extrapolated) = 17.8 W/kg

**SAR(1 g) = 3.89 W/kg; SAR(10 g) = 1.1 W/kg**

Maximum value of SAR (measured) = 10.3 W/kg



0 dB = 10.3 W/kg = 10.13 dBW/kg

## System Check\_Head\_6500MHz

Communication System: Validation band; Frequency: 6500.0

Medium: HSL6G\_220127. Medium parameters used:  $f = 6500.0$  MHz;  $\sigma = 6.00$  S/m;  $\epsilon_r = 34.4$

Ambient Temperature: 23.5°C; Liquid Temperature: 22.5°C

DASY6 Configuration:

- Probe: EX3DV4 - SN7439; ConvF(5.7, 5.7, 5.7); Calibrated: 2021-02-23
- Sensor-Surface: 1.4 mm
- Electronics: DAE4 Sn778; Calibrated: 2021-05-21
- Phantom: ELI V5.0 (20deg probe tilt); Serial: xxxx; Section: Flat
- Measurement Software: cDASY6 V6.6.0.13926
- UID: CW, 0--
- MAIA: Area Scan: N/A; Zoom Scan: N/A

**Area Scan (51.0 mm x 51.0 mm):** Measurement Grid: 8.5 mm x 8.5 mm

SAR (1g) = 22.5 W/kg; SAR (10g) = 4.40 W/kg;

**Zoom Scan (23.8 mm x 23.8 mm x 22.0 mm):** Measurement Grid: 3.4 mm x 3.4 mm x 1.4 mm

Power Drift = 0.01 dB

SAR (1g) = 27.4 W/kg; SAR (10g) = 5.00 W/kg;

