

System Check_Head_750MHz

DUT: D750V3-1107

Communication System: CW; Frequency: 750 MHz; Duty Cycle: 1:1

Medium: HSL_750_210605 Medium parameters used: $f = 750$ MHz; $\sigma = 0.891$ S/m; $\epsilon_r = 41.536$; $\rho = 1000$ kg/m³

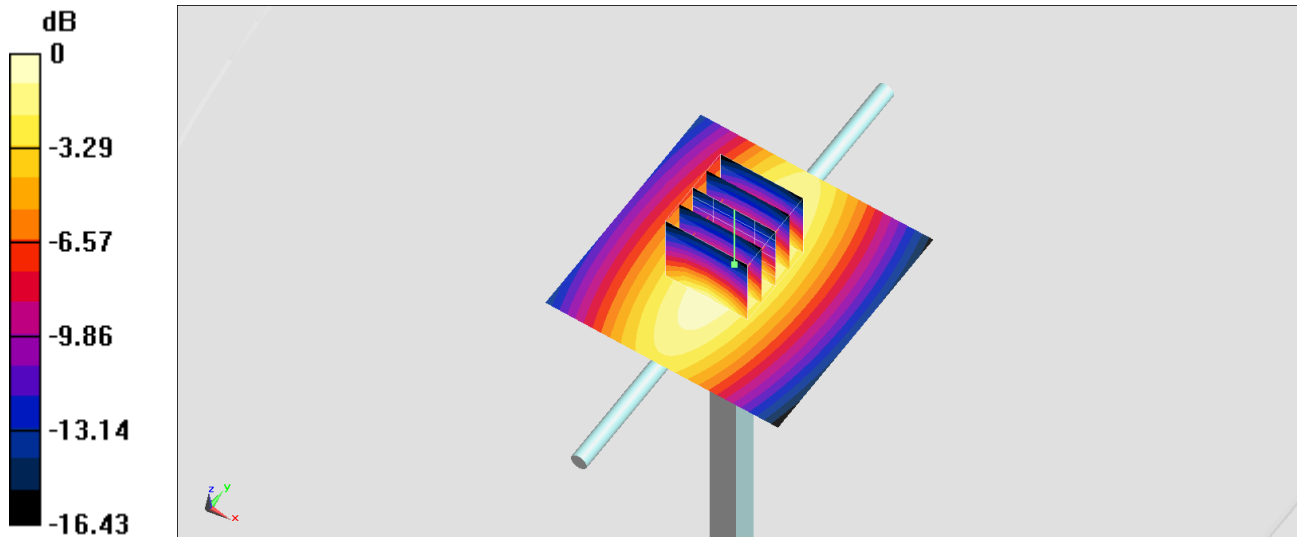
Ambient Temperature : 23.6 °C ; Liquid Temperature : 22.6 °C

DASY5 Configuration:

- Probe: ES3DV3 - SN3270; ConvF(6.44, 6.44, 6.44) @ 750 MHz; Calibrated: 2020/9/23
- Sensor-Surface: 3mm (Mechanical Surface Detection)
- Electronics: DAE4 Sn1311; Calibrated: 2020/8/25
- Phantom: ELI v5.0_Left; Type: QDOVA002AA; Serial: TP:1191
- Measurement SW: DASY52, Version 52.10 (4); SEMCAD X Version 14.6.14 (7483)

Pin=250mW/Area Scan (61x61x1): Interpolated grid: dx=1.500 mm, dy=1.500 mm
Maximum value of SAR (interpolated) = 2.57 W/kg

Pin=250mW/Zoom Scan (5x5x7)/Cube 0: Measurement grid: dx=8mm, dy=8mm, dz=5mm
Reference Value = 52.82 V/m; Power Drift = -0.02 dB
Peak SAR (extrapolated) = 2.91 W/kg
SAR(1 g) = 2.01 W/kg; SAR(10 g) = 1.32 W/kg
Maximum value of SAR (measured) = 2.35 W/kg



0 dB = 2.57 W/kg = 4.10 dBW/kg

System Check_Head_835MHz

DUT: D835V2-4d167

Communication System: CW; Frequency: 835 MHz; Duty Cycle: 1:1

Medium: HSL_850_210601 Medium parameters used: $f = 835$ MHz; $\sigma = 0.921$ S/m; $\epsilon_r = 41.14$; $\rho = 1000$ kg/m³

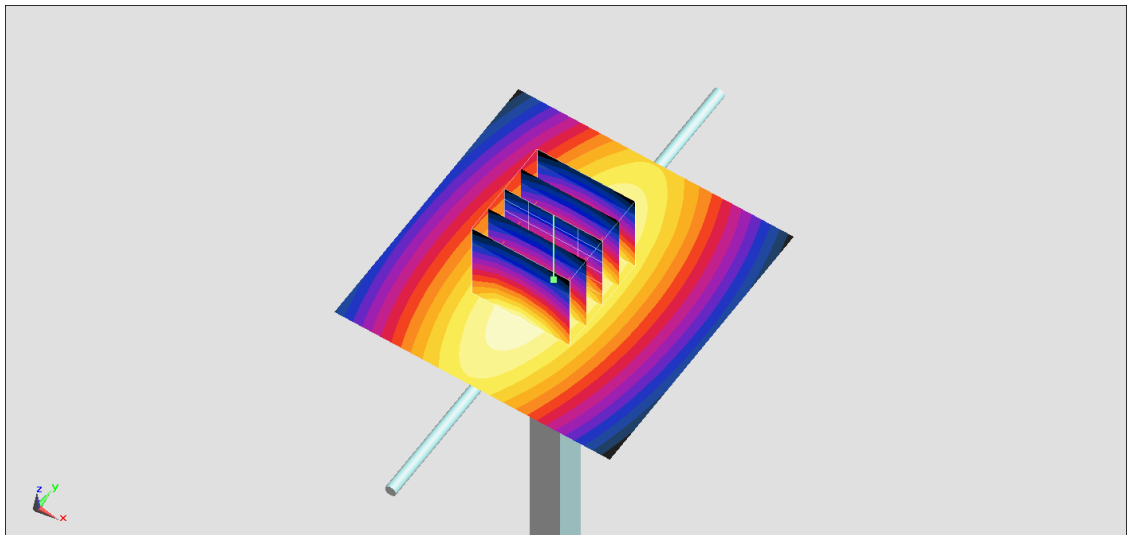
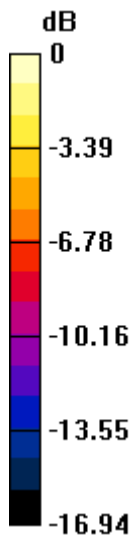
Ambient Temperature : 23.6 °C ; Liquid Temperature : 22.6 °C

DASY5 Configuration:

- Probe: ES3DV3 - SN3270; ConvF(6.28, 6.28, 6.28) @ 835 MHz; Calibrated: 2020/9/23
- Sensor-Surface: 3mm (Mechanical Surface Detection)
- Electronics: DAE4 Sn1311; Calibrated: 2020/8/25
- Phantom: ELI v5.0_Left; Type: QDOVA002AA; Serial: TP:1191
- Measurement SW: DASY52, Version 52.10 (4); SEMCAD X Version 14.6.14 (7483)

Pin=250mW/Area Scan (61x61x1): Interpolated grid: dx=1.500 mm, dy=1.500 mm
Maximum value of SAR (interpolated) = 2.97 W/kg

Pin=250mW/Zoom Scan (5x5x7)/Cube 0: Measurement grid: dx=8mm, dy=8mm, dz=5mm
Reference Value = 58.55 V/m; Power Drift = -0.01 dB
Peak SAR (extrapolated) = 3.77 W/kg
SAR(1 g) = 2.54 W/kg; SAR(10 g) = 1.66 W/kg
Maximum value of SAR (measured) = 2.98 W/kg



0 dB = 2.97 W/kg = 4.73 dBW/kg

System Check_Head_1750MHz

DUT: D1750V2-1112

Communication System: CW; Frequency: 1750 MHz; Duty Cycle: 1:1

Medium: HSL_1750_210602 Medium parameters used: $f = 1750$ MHz; $\sigma = 1.376$ S/m; $\epsilon_r = 40.379$; $\rho = 1000$ kg/m³

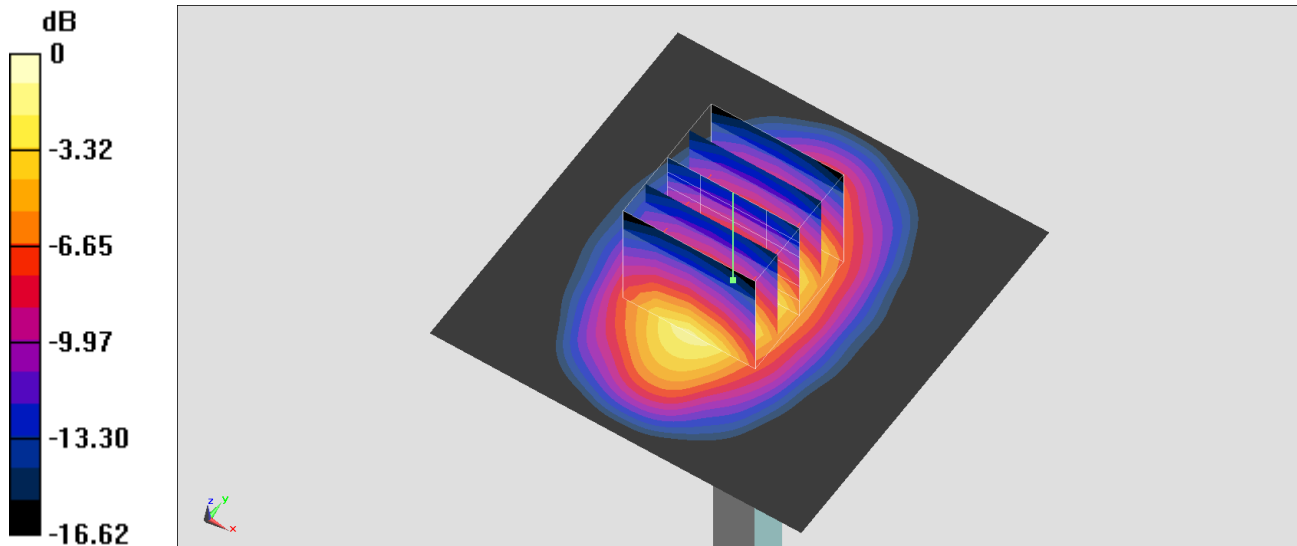
Ambient Temperature : 23.6 °C ; Liquid Temperature : 22.6 °C

DASY5 Configuration:

- Probe: ES3DV3 - SN3270; ConvF(5.34, 5.34, 5.34) @ 1750 MHz; Calibrated: 2020/9/23
- Sensor-Surface: 3mm (Mechanical Surface Detection)
- Electronics: DAE4 Sn1311; Calibrated: 2020/8/25
- Phantom: ELI v5.0_Left; Type: QDOVA002AA; Serial: TP:1191
- Measurement SW: DASY52, Version 52.10 (4); SEMCAD X Version 14.6.14 (7483)

Pin=250mW/Area Scan (61x61x1): Interpolated grid: dx=1.500 mm, dy=1.500 mm
Maximum value of SAR (interpolated) = 11.0 W/kg

Pin=250mW/Zoom Scan (5x5x7)/Cube 0: Measurement grid: dx=8mm, dy=8mm, dz=5mm
Reference Value = 91.99 V/m; Power Drift = -0.03 dB
Peak SAR (extrapolated) = 15.4 W/kg
SAR(1 g) = 8.7 W/kg; SAR(10 g) = 4.64 W/kg
Maximum value of SAR (measured) = 11.0 W/kg



System Check_Head_1900MHz

DUT: D1900V2-5d185

Communication System: CW; Frequency: 1900 MHz; Duty Cycle: 1:1

Medium: HSL_1900_210602 Medium parameters used: $f = 1900$ MHz; $\sigma = 1.454$ S/m; $\epsilon_r = 38.831$; $\rho = 1000$ kg/m³

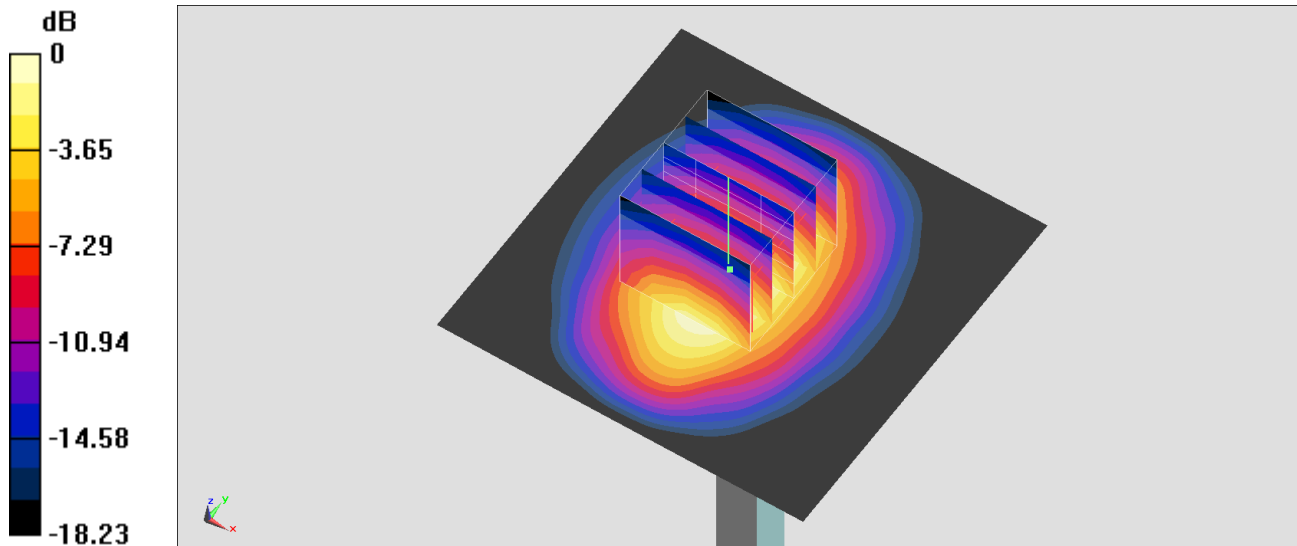
Ambient Temperature : 23.6 °C; Liquid Temperature : 22.6 °C

DASY5 Configuration:

- Probe: ES3DV3 - SN3270; ConvF(5.14, 5.14, 5.14) @ 1900 MHz; Calibrated: 2020/9/23
- Sensor-Surface: 3mm (Mechanical Surface Detection)
- Electronics: DAE4 Sn1311; Calibrated: 2020/8/25
- Phantom: ELI v5.0_Left; Type: QDOVA002AA; Serial: TP:1191
- Measurement SW: DASY52, Version 52.10 (4); SEMCAD X Version 14.6.14 (7483)

Pin=250mW/Area Scan (61x61x1): Interpolated grid: dx=1.500 mm, dy=1.500 mm
Maximum value of SAR (interpolated) = 14.5 W/kg

Pin=250mW/Zoom Scan (5x5x7)/Cube 0: Measurement grid: dx=8mm, dy=8mm, dz=5mm
Reference Value = 93.05 V/m; Power Drift = -0.00 dB
Peak SAR (extrapolated) = 16.9 W/kg
SAR(1 g) = 9.37 W/kg; SAR(10 g) = 4.89 W/kg
Maximum value of SAR (measured) = 11.4 W/kg



System Check_Head_2300MHz

DUT: D2300V2-1006

Communication System: CW; Frequency: 2300 MHz; Duty Cycle: 1:1

Medium: HSL_2300_210603 Medium parameters used: $f = 2300$ MHz; $\sigma = 1.641$ S/m; $\epsilon_r = 39.037$; $\rho = 1000$ kg/m³

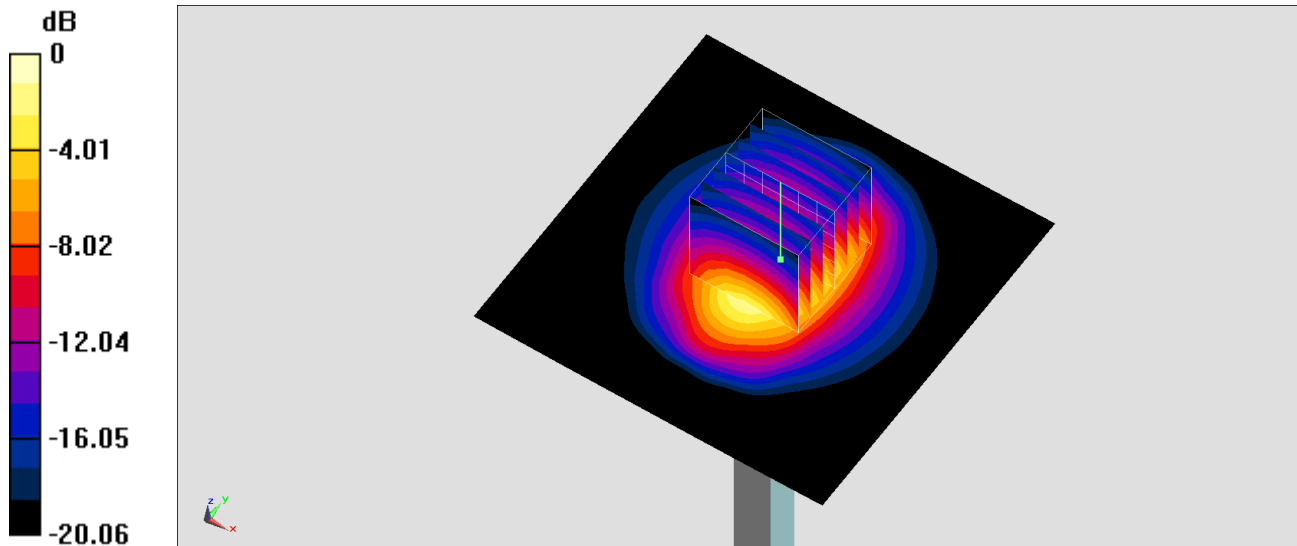
Ambient Temperature : 23.6 °C ; Liquid Temperature : 22.6 °C

DASY5 Configuration:

- Probe: ES3DV3 - SN3124; ConvF(4.82, 4.82, 4.82) @ 2300 MHz; Calibrated: 2020/11/23
- Sensor-Surface: 3mm (Mechanical Surface Detection)
- Electronics: DAE3 Sn577; Calibrated: 2020/9/16
- Phantom: ELI v5.0_Left; Type: QDOVA002AA; Serial: TP:1191
- Measurement SW: DASY52, Version 52.10 (4); SEMCAD X Version 14.6.14 (7483)

Pin=250mW/Area Scan (81x81x1): Interpolated grid: dx=1.200 mm, dy=1.200 mm
Maximum value of SAR (interpolated) = 14.1 W/kg

Pin=250mW/Zoom Scan (7x7x7)/Cube 0: Measurement grid: dx=5mm, dy=5mm, dz=5mm
Reference Value = 90.37 V/m; Power Drift = -0.19 dB
Peak SAR (extrapolated) = 20.5 W/kg
SAR(1 g) = 11.6 W/kg; SAR(10 g) = 5.61 W/kg
Maximum value of SAR (measured) = 13.6 W/kg



0 dB = 13.6 W/kg = 11.34 dBW/kg

System Check_Head_2450MHz

DUT: D2450V2-736

Communication System: CW ; Frequency: 2450 MHz;Duty Cycle: 1:1

Medium: HSL_2450_210624 Medium parameters used : $f = 2450$ MHz; $\sigma = 1.83$ S/m; $\epsilon_r = 39.987$; $\rho = 1000$ kg/m³

Ambient Temperature : 23.3 °C ; Liquid Temperature : 22.3 °C

DASY5 Configuration

- Probe: ES3DV3 - SN3124; ConvF(4.62, 4.62, 4.62) @ 2450 MHz; Calibrated: 2020/11/23
- Sensor-Surface: 3mm (Mechanical Surface Detection)
- Electronics: DAE4 Sn1311; Calibrated: 2020/8/25
- Phantom: ELI v5.0_Left; Type: QDOVA002AA; Serial: TP:1191
- Measurement SW: DASY52, Version 52.10 (4); SEMCAD X Version 14.6.14 (7483)

Pin=50mW/Area Scan (71x71x1): Interpolated grid: dx=1.200 mm, dy=1.200 mm

Maximum value of SAR (interpolated) = 3.73 W/kg

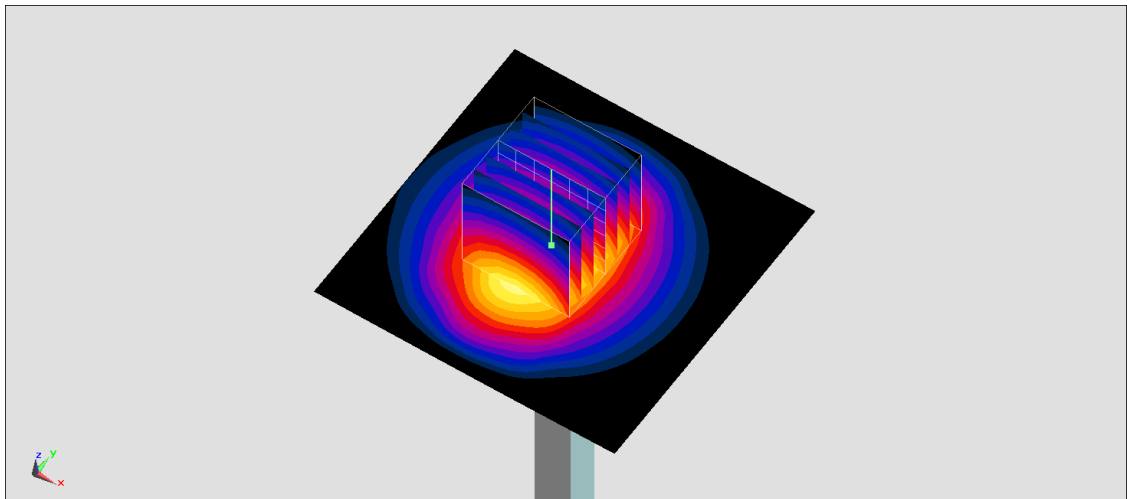
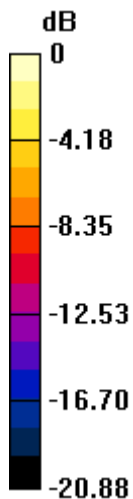
Pin=50mW/Zoom Scan (7x7x7)/Cube 0: Measurement grid: dx=5mm, dy=5mm, dz=5mm

Reference Value = 43.18 V/m; Power Drift = 0.10 dB

Peak SAR (extrapolated) = 5.47 W/kg

SAR(1 g) = 2.74 W/kg; SAR(10 g) = 1.29 W/kg

Maximum value of SAR (measured) = 3.61 W/kg



System Check_Head_2600MHz

DUT: D2600V2-1078

Communication System: CW; Frequency: 2600 MHz; Duty Cycle: 1:1

Medium: HSL_2600_210603 Medium parameters used: $f = 2600$ MHz; $\sigma = 1.961$ S/m; $\epsilon_r = 37.969$; $\rho = 1000$ kg/m³

Ambient Temperature : 23.6 °C; Liquid Temperature : 22.6 °C

DASY5 Configuration:

- Probe: ES3DV3 - SN3270; ConvF(4.42, 4.42, 4.42) @ 2600 MHz; Calibrated: 2020/9/23
- Sensor-Surface: 3mm (Mechanical Surface Detection)
- Electronics: DAE4 Sn1311; Calibrated: 2020/8/25
- Phantom: ELI v5.0_Left; Type: QDOVA002AA; Serial: TP:1191
- Measurement SW: DASY52, Version 52.10 (4); SEMCAD X Version 14.6.14 (7483)

Pin=250mW/Area Scan (81x81x1): Interpolated grid: dx=1.200 mm, dy=1.200 mm

Maximum value of SAR (interpolated) = 25.6 W/kg

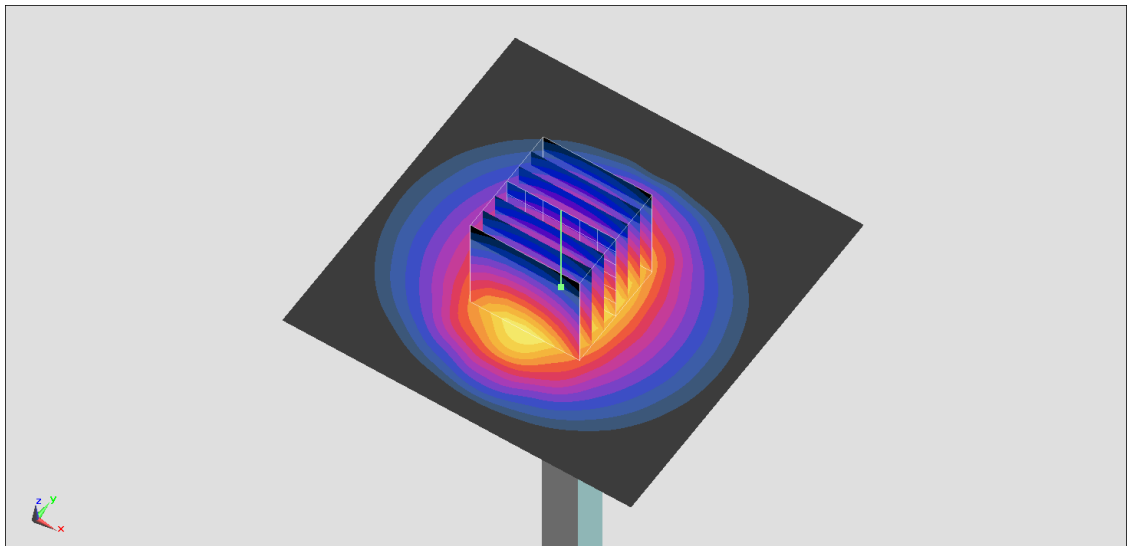
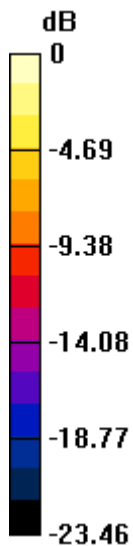
Pin=250mW/Zoom Scan (7x7x7)/Cube 0: Measurement grid: dx=5mm, dy=5mm, dz=5mm

Reference Value = 118.1 V/m; Power Drift = -0.10 dB

Peak SAR (extrapolated) = 33.5 W/kg

SAR(1 g) = 15.4 W/kg; SAR(10 g) = 6.87 W/kg

Maximum value of SAR (measured) = 24.1 W/kg



0 dB = 24.1 W/kg = 13.82 dBW/kg

System Check_Head_3500MHz

DUT: D3500V2 - 1014

Communication System: CW; Frequency: 3500 MHz; Duty Cycle: 1:1

Medium: HSL_3500_210607 Medium parameters used: $f = 3500$ MHz; $\sigma = 2.929$ S/m; $\epsilon_r = 37.489$; $\rho = 1000$ kg/m³

Ambient Temperature : 23.6 °C ; Liquid Temperature : 22.6 °C

DASY5 Configuration:

- Probe: EX3DV4 - SN3642; ConvF(6.8, 6.8, 6.8) @ 3500 MHz; Calibrated: 2021/4/26
- Sensor-Surface: 1.4mm (Mechanical Surface Detection)
- Electronics: DAE4 Sn853; Calibrated: 2020/7/23
- Phantom: ELI V4.0; Type: QDOVA001BB; Serial: 1041
- Measurement SW: DASY52, Version 52.10 (4); SEMCAD X Version 14.6.14 (7483)

Pin=100mW/Area Scan (71x71x1): Interpolated grid: dx=1.200 mm, dy=1.200 mm

Maximum value of SAR (interpolated) = 12.7 W/kg

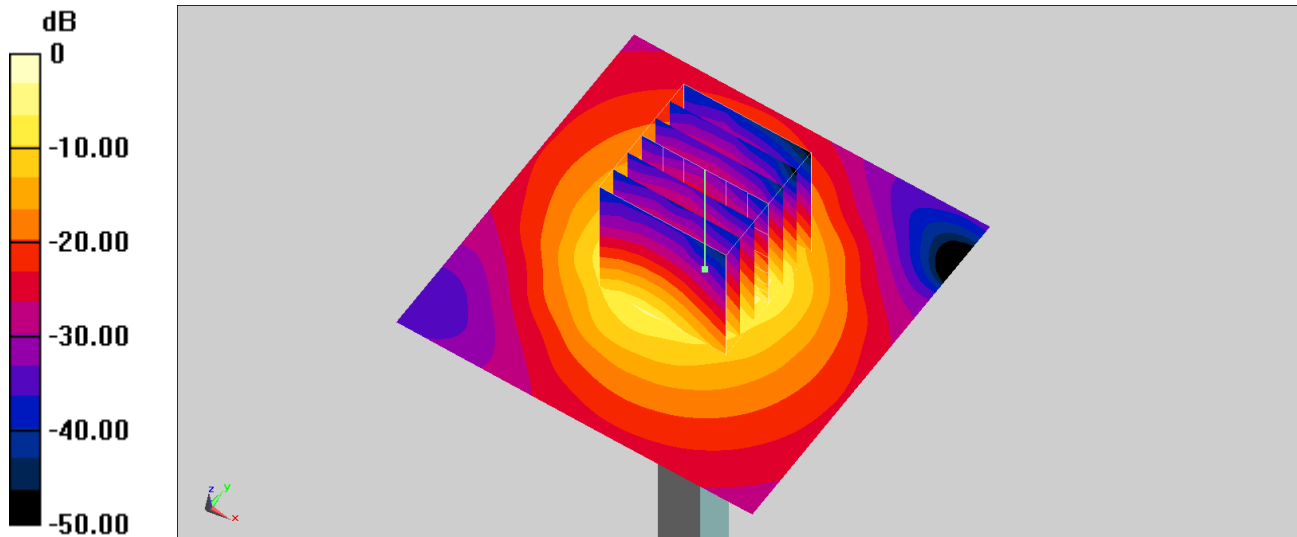
Pin=100mW/Zoom Scan (7x7x8)/Cube 0: Measurement grid: dx=5mm, dy=5mm, dz=1.4mm

Reference Value = 69.33 V/m; Power Drift = 0.08 dB

Peak SAR (extrapolated) = 18.0 W/kg

SAR(1 g) = 6.61 W/kg; SAR(10 g) = 2.48 W/kg

Maximum value of SAR (measured) = 13.0 W/kg



0 dB = 12.7 W/kg = 11.04 dBW/kg

System Check_Head_3500MHz

DUT: D3500V2 - 1014

Communication System: CW; Frequency: 3500 MHz; Duty Cycle: 1:1

Medium: HSL_3500_210610 Medium parameters used: $f = 3500$ MHz; $\sigma = 2.956$ S/m; $\epsilon_r = 37.629$; $\rho = 1000$ kg/m³

Ambient Temperature : 23.6 °C ; Liquid Temperature : 22.6 °C

DASY5 Configuration

- Probe: EX3DV4 - SN3642; ConvF(6.8, 6.8, 6.8) @ 3500 MHz; Calibrated: 2021/4/26
- Sensor-Surface: 1.4mm (Mechanical Surface Detection)
- Electronics: DAE4 Sn853; Calibrated: 2020/7/23
- Phantom: ELI V4.0; Type: QDOVA001BB; Serial: 1041
- Measurement SW: DASY52, Version 52.10 (4); SEMCAD X Version 14.6.14 (7483)

Pin=100mW/Area Scan (71x71x1): Interpolated grid: dx=1.200 mm, dy=1.200 mm

Maximum value of SAR (interpolated) = 12.8 W/kg

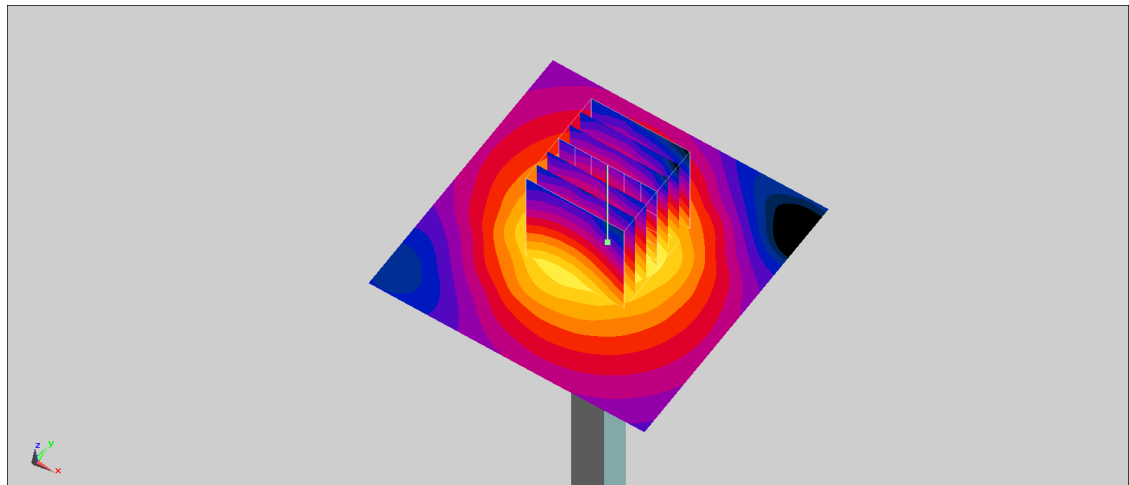
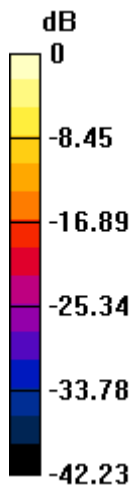
Pin=100mW/Zoom Scan (7x7x8)/Cube 0: Measurement grid: dx=5mm, dy=5mm, dz=1.4mm

Reference Value = 69.33 V/m; Power Drift = 0.08 dB

Peak SAR (extrapolated) = 18.2 W/kg

SAR(1 g) = 6.67 W/kg; SAR(10 g) = 2.5 W/kg

Maximum value of SAR (measured) = 13.1 W/kg



0 dB = 13.1 W/kg = 11.17 dBW/kg

System Check_Head_3700MHz

DUT: D3700V2 - 1006

Communication System: CW; Frequency: 3700 MHz; Duty Cycle: 1:1

Medium: HSL_3700_210607 Medium parameters used: $f = 3700$ MHz; $\sigma = 3.113$ S/m; $\epsilon_r = 37.19$; $\rho = 1000$ kg/m³

Ambient Temperature : 23.6 °C ; Liquid Temperature : 22.6 °C

DASY5 Configuration:

- Probe: EX3DV4 - SN3642; ConvF(6.59, 6.59, 6.59) @ 3700 MHz; Calibrated: 2021/4/26
- Sensor-Surface: 1.4mm (Mechanical Surface Detection)
- Electronics: DAE4 Sn853; Calibrated: 2020/7/23
- Phantom: ELI V4.0; Type: QDOVA001BB; Serial: 1041
- Measurement SW: DASY52, Version 52.10 (4); SEMCAD X Version 14.6.14 (7483)

Pin=100mW/Area Scan (71x71x1): Interpolated grid: dx=1.200 mm, dy=1.200 mm

Maximum value of SAR (interpolated) = 12.7 W/kg

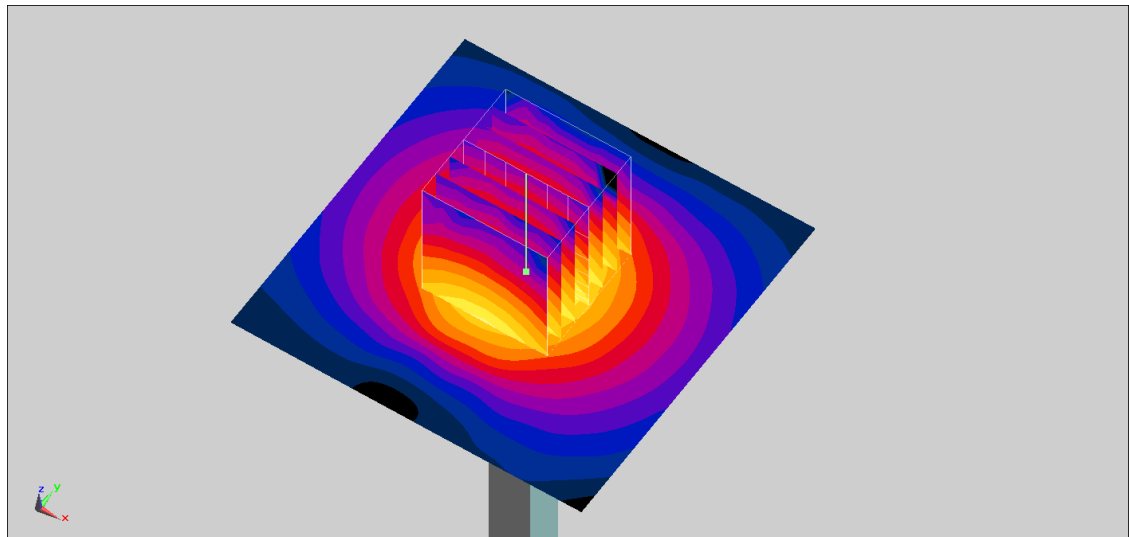
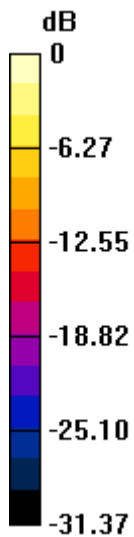
Pin=100mW/Zoom Scan (7x7x8)/Cube 0: Measurement grid: dx=5mm, dy=5mm, dz=1.4mm

Reference Value = 72.15 V/m; Power Drift = -0.19 dB

Peak SAR (extrapolated) = 18.0 W/kg

SAR(1 g) = 6.27 W/kg; SAR(10 g) = 2.27 W/kg

Maximum value of SAR (measured) = 12.8 W/kg



0 dB = 12.7 W/kg = 11.04 dBW/kg

System Check_Head_5250MHz

DUT: D5GHzV2-1006

Communication System: CW; Frequency: 5250 MHz; Duty Cycle: 1:1

Medium: HSL_5G_210624 Medium parameters used : $f = 5250$ MHz; $\sigma = 4.678$ S/m; $\epsilon_r = 36.238$; $\rho = 1000$ kg/m³

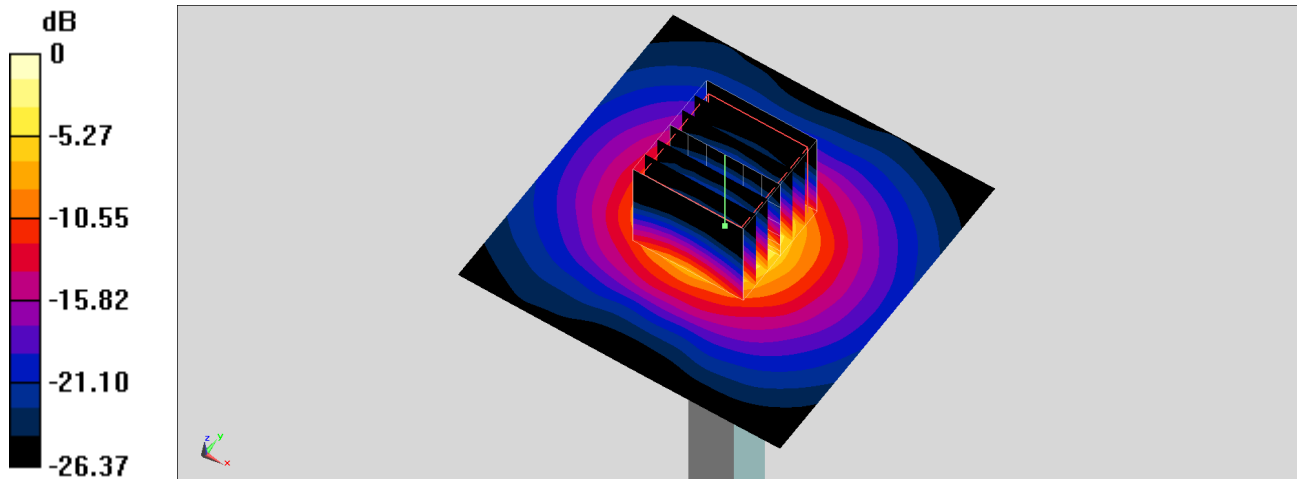
Ambient Temperature : 23.6 °C; Liquid Temperature : 22.6 °C

DASY5 Configuration

- Probe: EX3DV4 - SN3642; ConvF(4.42, 4.42, 4.42) @ 5250 MHz; Calibrated: 2021/4/26
- Sensor-Surface: 1.4mm (Mechanical Surface Detection)
- Electronics: DAE4 Sn853; Calibrated: 2020/7/23
- Phantom: ELI V4.0; Type: QDOVA001BB; Serial: 1041
- Measurement SW: DASY52, Version 52.10 (4); SEMCAD X Version 14.6.14 (7483)

Pin=100mW/Area Scan (71x71x1): Interpolated grid: dx=1.000 mm, dy=1.000 mm
Maximum value of SAR (interpolated) = 25.6 W/kg

Pin=100mW/Zoom Scan (7x7x7)/Cube 0: Measurement grid: dx=4mm, dy=4mm, dz=1.4mm
Reference Value = 75.14 V/m; Power Drift = 0.04 dB
Peak SAR (extrapolated) = 33.6 W/kg
SAR(1 g) = 8.71 W/kg; SAR(10 g) = 2.51 W/kg
Maximum value of SAR (measured) = 21.9 W/kg



0 dB = 25.6 W/kg = 14.08 dBW/kg

System Check_Head_5600MHz

DUT: D5GHzV2-1006

Communication System: CW ; Frequency: 5600 MHz;Duty Cycle: 1:1

Medium: HSL_5G_210624 Medium parameters used: $f = 5600$ MHz; $\sigma = 4.966$ S/m; $\epsilon_r = 35.938$; $\rho = 1000$ kg/m³

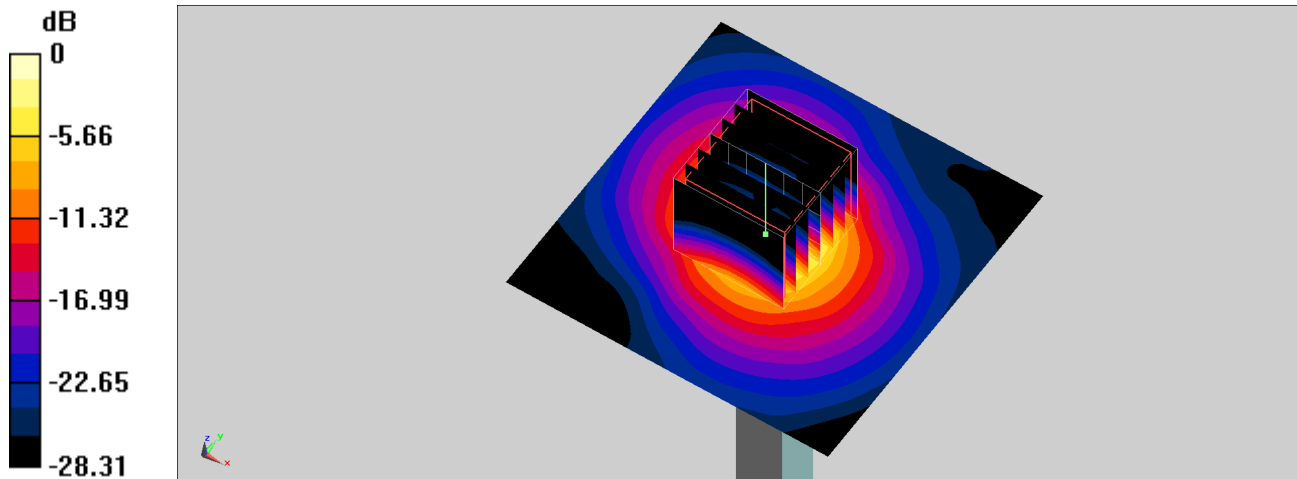
Ambient Temperature : 23.6 °C ; Liquid Temperature : 22.6 °C

DASY5 Configuration

- Probe: EX3DV4 - SN3642;ConvF(4.17, 4.17, 4.17) @ 5600 MHz;Calibrated: 2021/4/26
- Sensor-Surface: 1.4mm (Mechanical Surface Detection)
- Electronics: DAE4 Sn853; Calibrated: 2020/7/23
- Phantom: ELI V4.0; Type: QDOVA001BB; Serial: 1041
- Measurement SW: DASY52, Version 52.10 (4); SEMCAD X Version 14.6.14 (7483)

Pin=100mW/Area Scan (71x71x1): Interpolated grid: dx=1.000 mm, dy=1.000 mm
Maximum value of SAR (interpolated) = 23.5 W/kg

Pin=100mW/Zoom Scan (7x7x7)/Cube 0: Measurement grid: dx=4mm, dy=4mm, dz=1.4mm
Reference Value = 84.11 V/m; Power Drift = -0.06 dB
Peak SAR (extrapolated) = 40.1 W/kg
SAR(1 g) = 8.81 W/kg; SAR(10 g) = 2.45 W/kg
Maximum value of SAR (measured) = 23.1 W/kg



0 dB = 23.1 W/kg = 13.64 dBW/kg

System Check_Head_5750MHz

DUT: D5GHzV2-1006

Communication System: CW ; Frequency: 5750 MHz;Duty Cycle: 1:1

Medium: HSL_5G_210624 Medium parameters used: $f = 5750$ MHz; $\sigma = 5.158$ S/m; $\epsilon_r = 35.427$; $\rho = 1000$ kg/m³

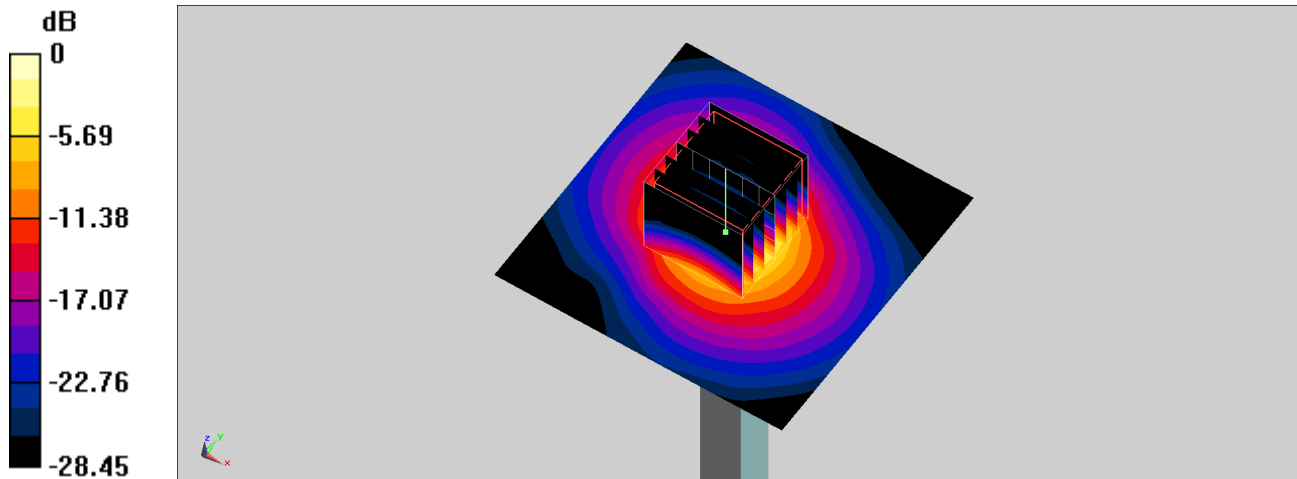
Ambient Temperature : 23.6 °C ; Liquid Temperature : 22.6 °C

DASY5 Configuration

- Probe: EX3DV4 - SN3642;ConvF(4.18, 4.18, 4.18) @ 5750 MHz;Calibrated: 2021/4/26
- Sensor-Surface: 1.4mm (Mechanical Surface Detection)
- Electronics: DAE4 Sn853; Calibrated: 2020/7/23
- Phantom: ELI V4.0; Type: QDOVA001BB; Serial: 1041
- Measurement SW: DASY52, Version 52.10 (4); SEMCAD X Version 14.6.14 (7483)

Pin=100mW/Area Scan (71x71x1): Interpolated grid: dx=1.000 mm, dy=1.000 mm
Maximum value of SAR (interpolated) = 21.4 W/kg

Pin=100mW/Zoom Scan (7x7x7)/Cube 0: Measurement grid: dx=4mm, dy=4mm, dz=1.4mm
Reference Value = 73.24 V/m; Power Drift = 0.14 dB
Peak SAR (extrapolated) = 41.0 W/kg
SAR(1 g) = 8.65 W/kg; SAR(10 g) = 2.4 W/kg
Maximum value of SAR (measured) = 23.0 W/kg



0 dB = 23.0 W/kg = 13.62 dBW/kg