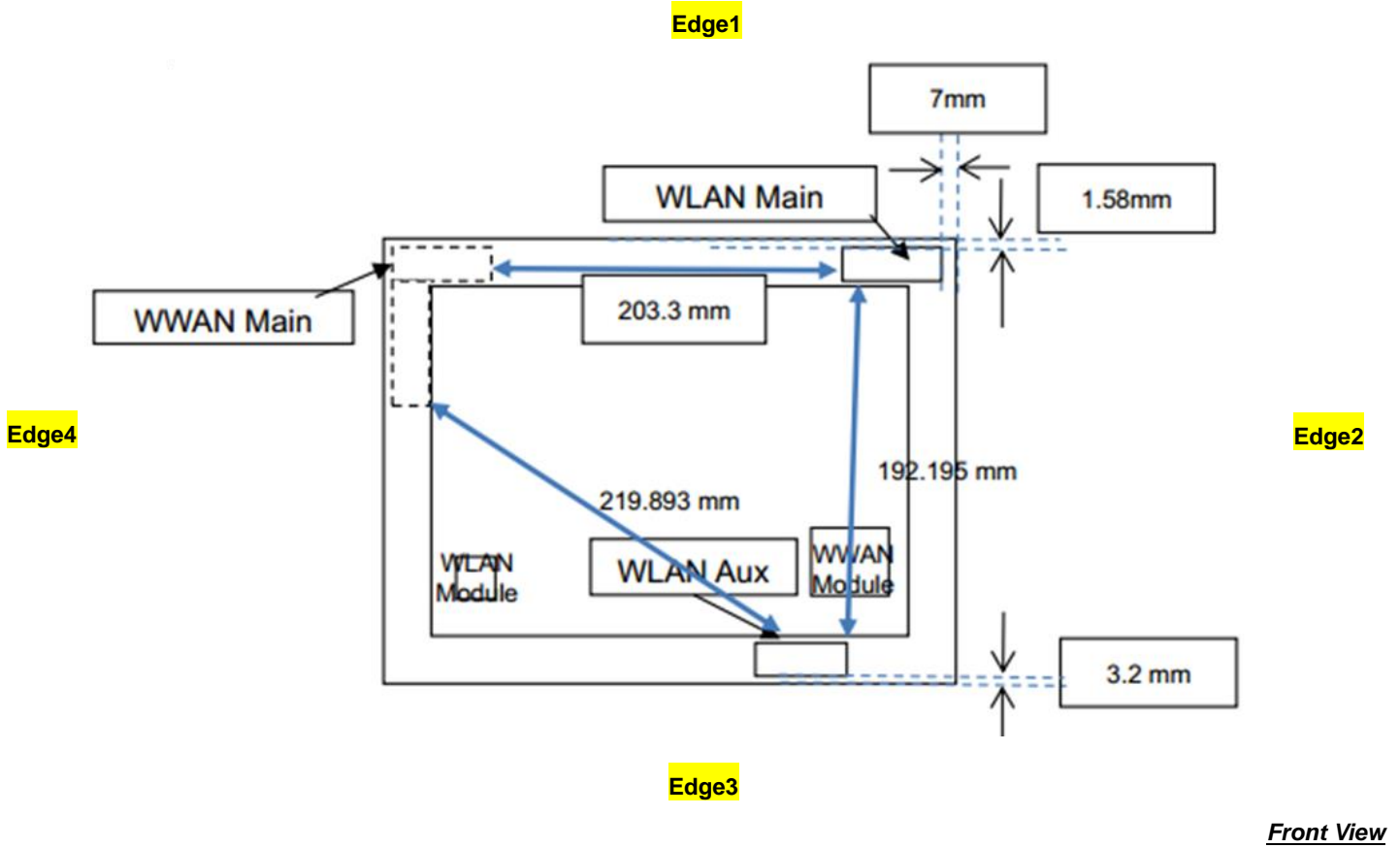


Appendix D. Antenna Location

<For Tablet>

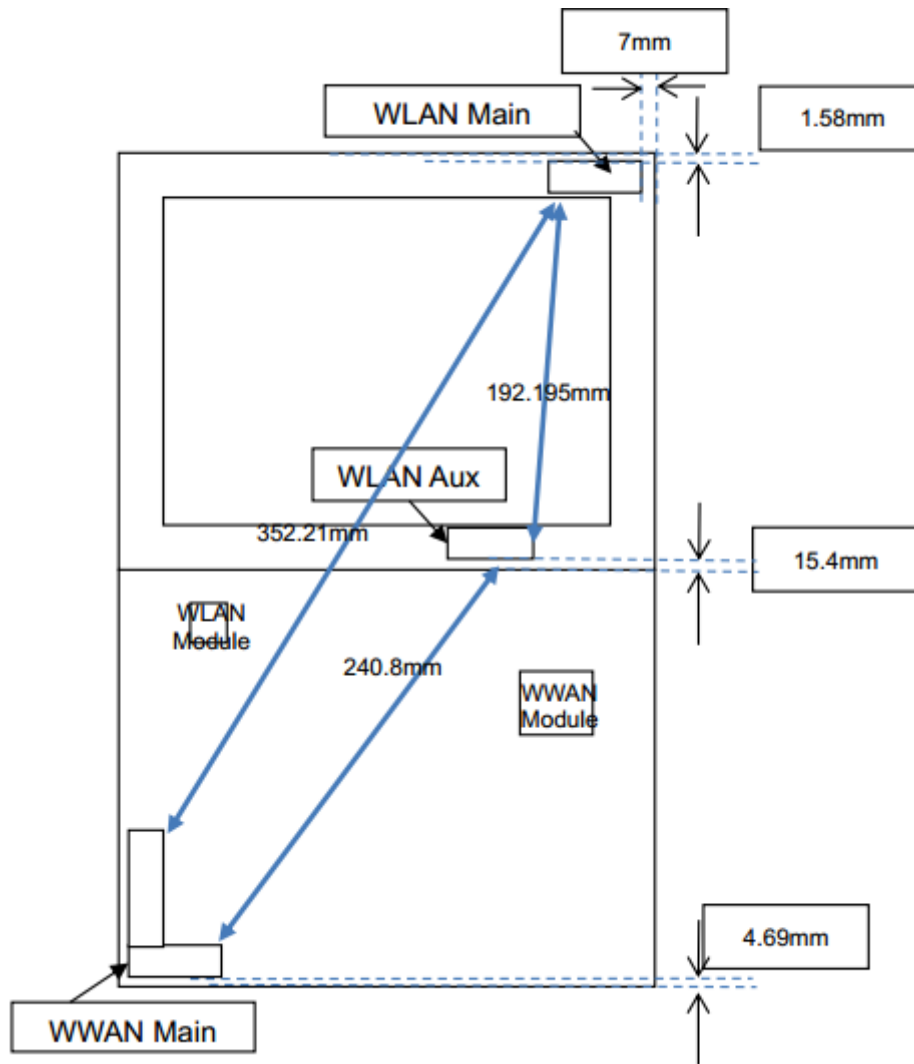


Front View

The separation distance for antenna to edge :

Antenna	To Edge1 (mm)	To Edge2 (mm)	To Edge3 (mm)	To Edge4 (mm)
WWAN Main Antenna	6.1	251.3	141.1	5.0

<For Laptop>



The separation distance for antenna to edge :

Antenna	To Bottom of Laptop (mm)
WWAN Main Antenna	4.69

Appendix D. SAR Test Setup Photos



Bottom Face, Test Separation 0 mm



Bottom of Laptop, Test Separation 0 mm



Bottom Face, Test Separation 19 mm



Bottom of Laptop, Test Separation 12 mm



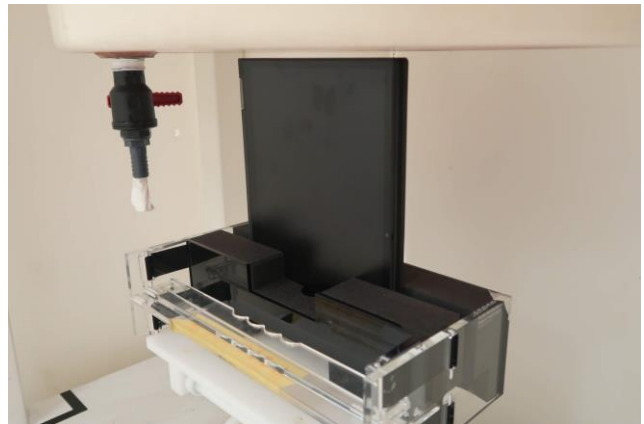
Edge1, Test Separation 0 mm



Edge1, Test Separation 16 mm



Edge4, Test Separation 0 mm



Edge4, Test Separation 21 mm