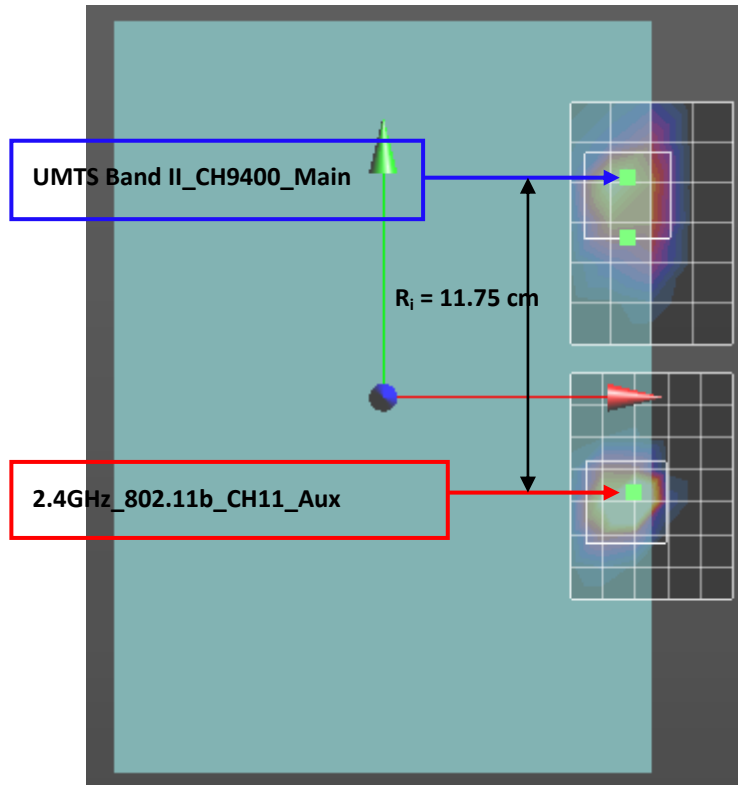


SAR Peak Location Separation Distance

Figure (1)



Mode	Peak SAR	X	Y	Z
	mW/g	m	m	m
UMTS Band II_CH9400_Main	0.789	0.091	0.084	-0.176
2.4GHz_802.11b_CH11_Aux	1.020	0.090	-0.034	-0.175
Separation distance (cm)	11.75			
SPLSR	0.02			