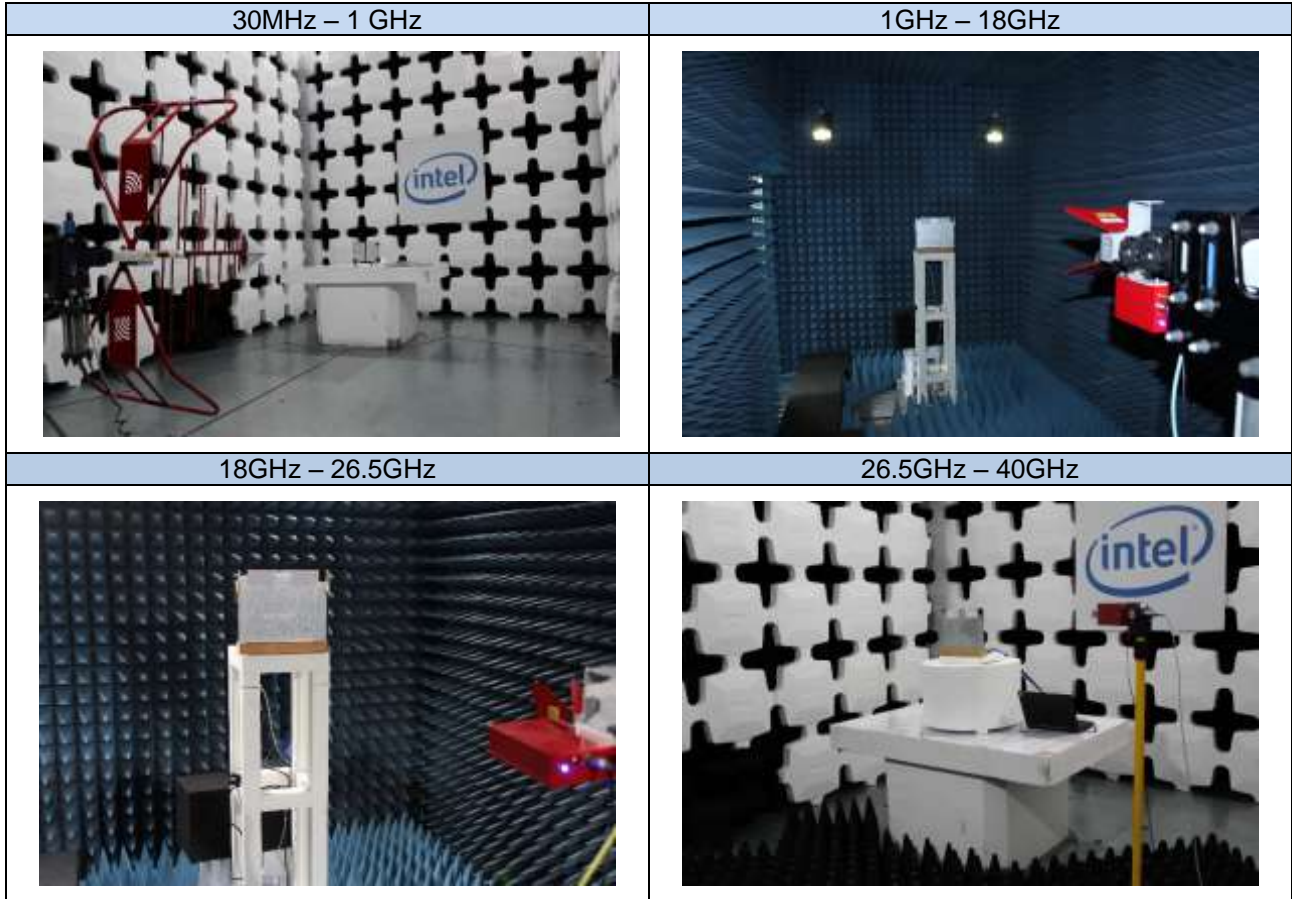
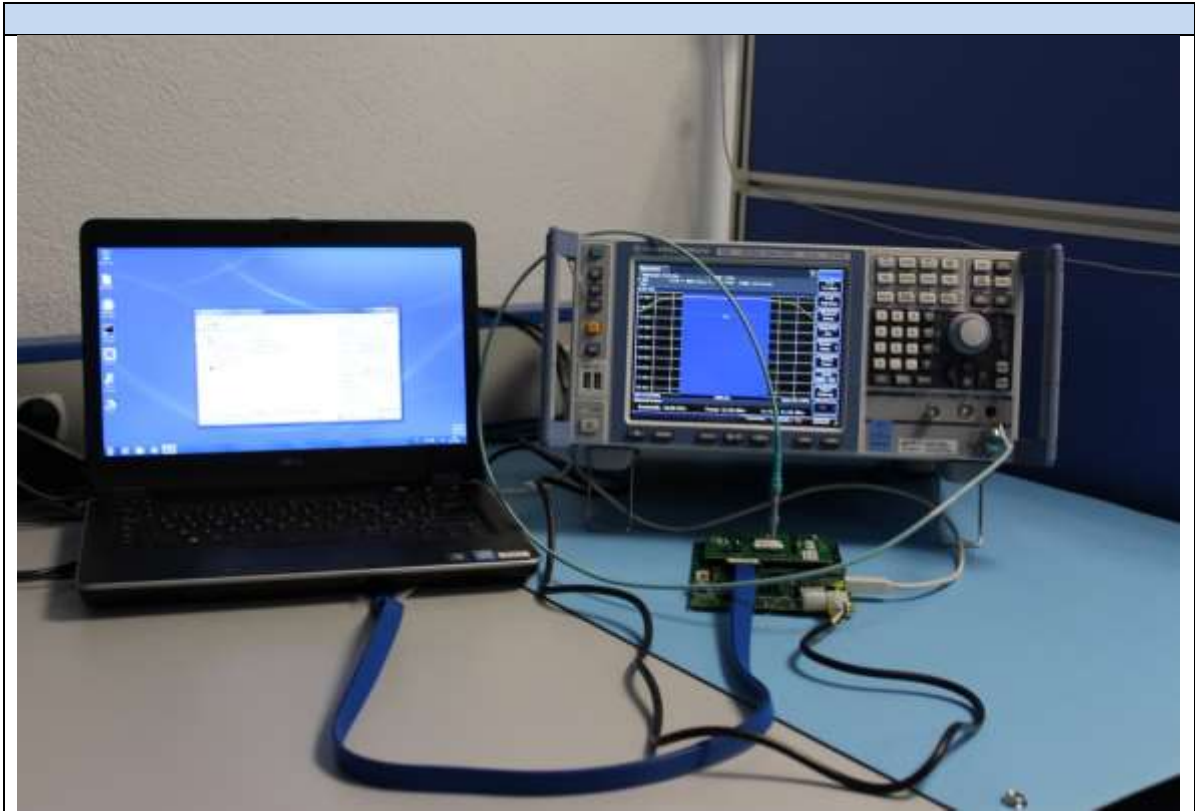


Annex C. Photographs

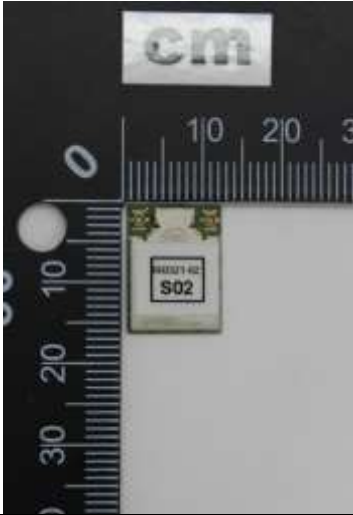
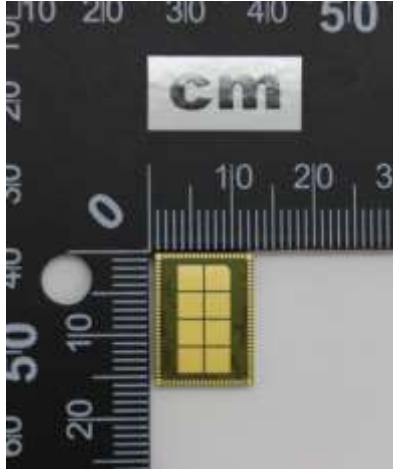
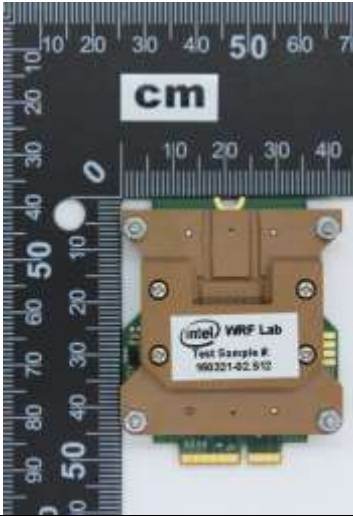
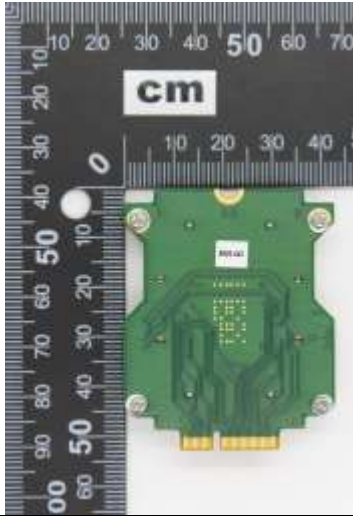


Radiated Test Setup:






Conducted Test Setup:



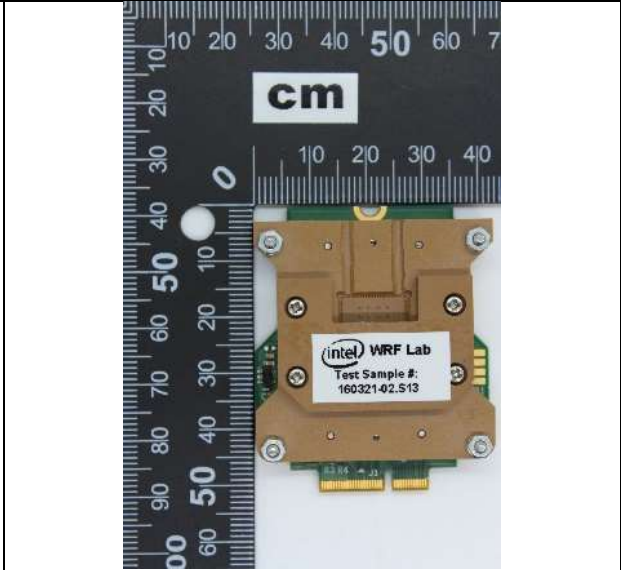
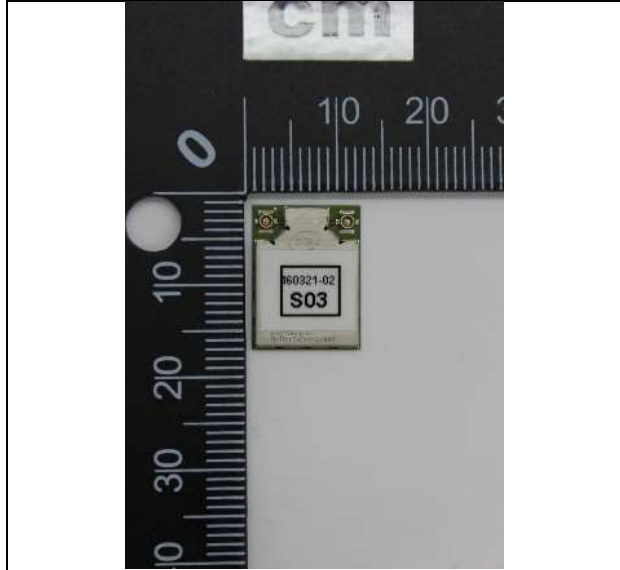
Test Sample:

Sample #01	
WIFI Module	
	
Socket	
	
Extender board	Laptop
	

PCI cable	AC/DC adapter
	
USB cable	Laptop power supply
	

Sample #02

WIFI Module



Extender board

Laptop



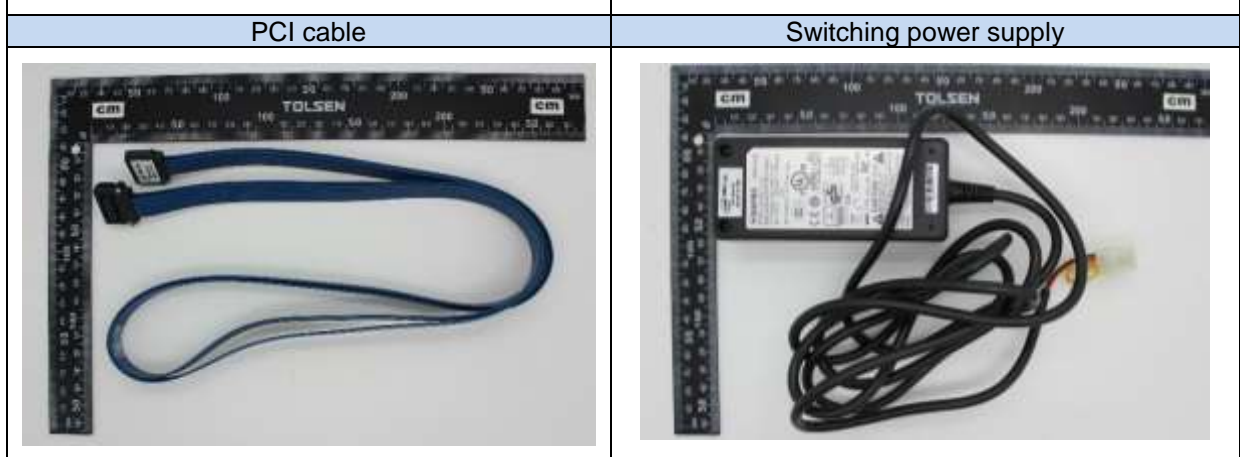
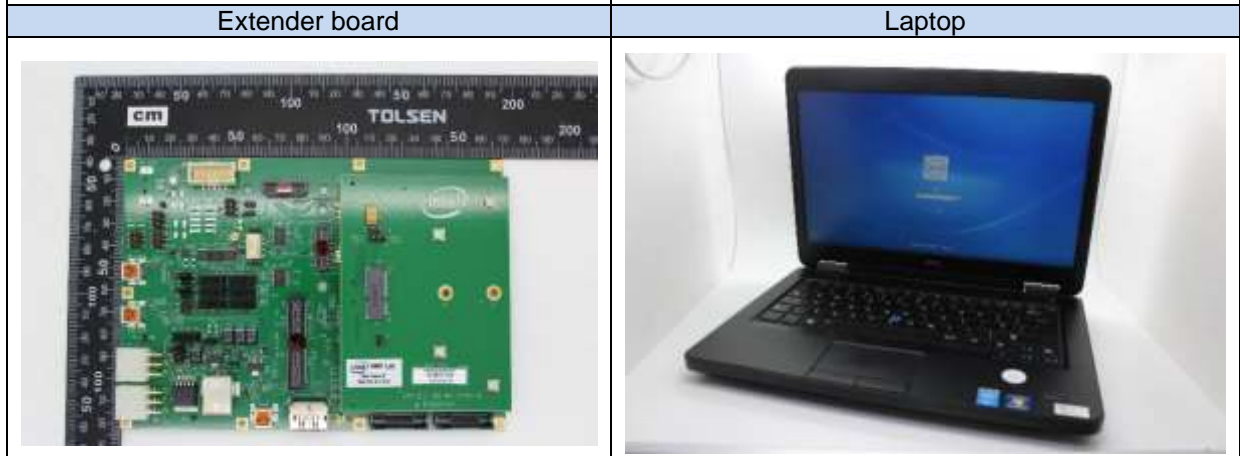
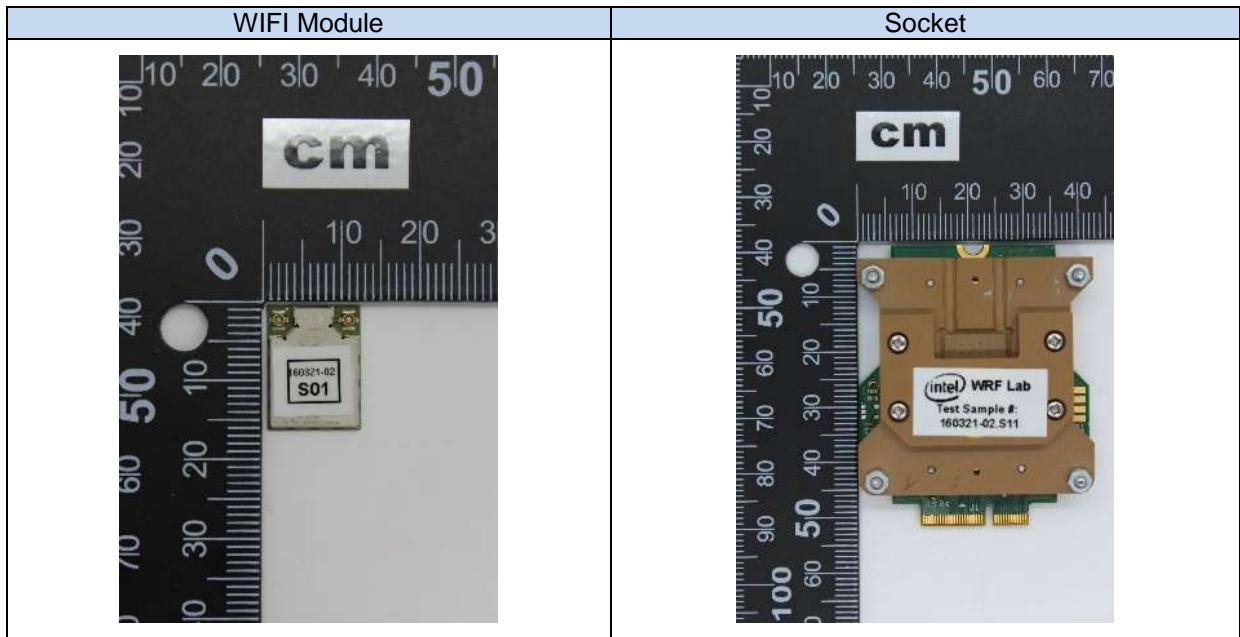
PCI cable

AC/DC adapter





Sample #03



USB cable	AC/DC adapter
