

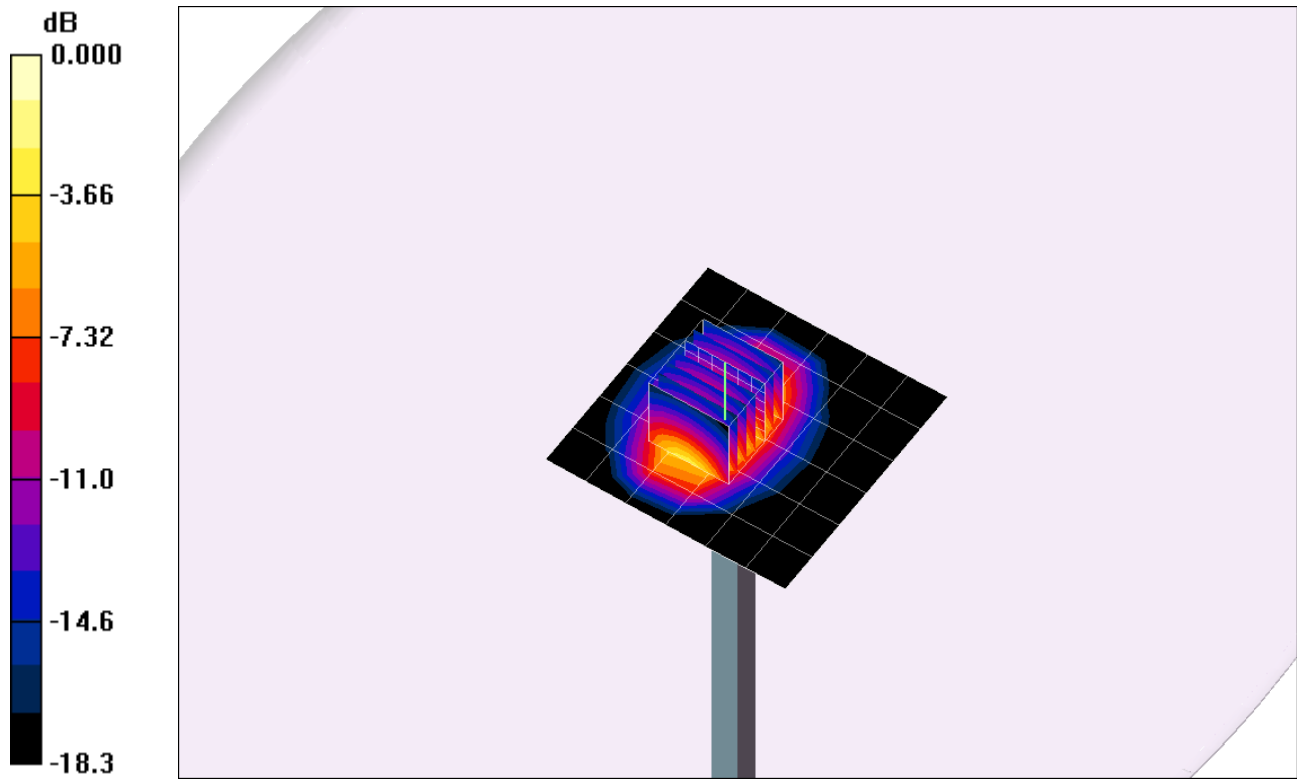
### 20120918\_SystemPerformanceCheck-D1900V2 SN 5d043

Frequency: 1900 MHz; Duty Cycle: 1:1; Room Ambient Temperature: 24.0°C; Liquid Temperature: 23.0°C  
 Medium parameters used:  $f = 1900 \text{ MHz}$ ;  $\sigma = 1.5 \text{ mho/m}$ ;  $\epsilon_r = 51.8$ ;  $\rho = 1000 \text{ kg/m}^3$ ;  
 DASY4 Configuration:

- Area Scan setting - Find Secondary Maximum Within: 2.0 dB and with a peak SAR value greater than 0.0012W/kg
- Electronics: DAE3 Sn500; Calibrated: 6/13/2012
- Probe: EX3DV4 - SN3749; ConvF(6.97, 6.97, 6.97); Calibrated: 1/27/2012
- Sensor-Surface: 2.5mm (Mechanical Surface Detection)
- Phantom: Flat Phantom ELI4.0; Type: QDOVA001BB; Serial: SN:1017

**Body, Pin=100mW/Area Scan (7x7x1):** Measurement grid: dx=15mm, dy=15mm  
 Maximum value of SAR (measured) = 3.88 mW/g

**Body, Pin=100mW/Zoom Scan (7x7x7)/Cube 0:** Measurement grid: dx=5mm, dy=5mm, dz=5mm  
 Reference Value = 58.1 V/m; Power Drift = 0.106 dB  
 Peak SAR (extrapolated) = 7.67 W/kg  
**SAR(1 g) = 4.14 mW/g; SAR(10 g) = 2.15 mW/g**  
 Maximum value of SAR (measured) = 5.59 mW/g

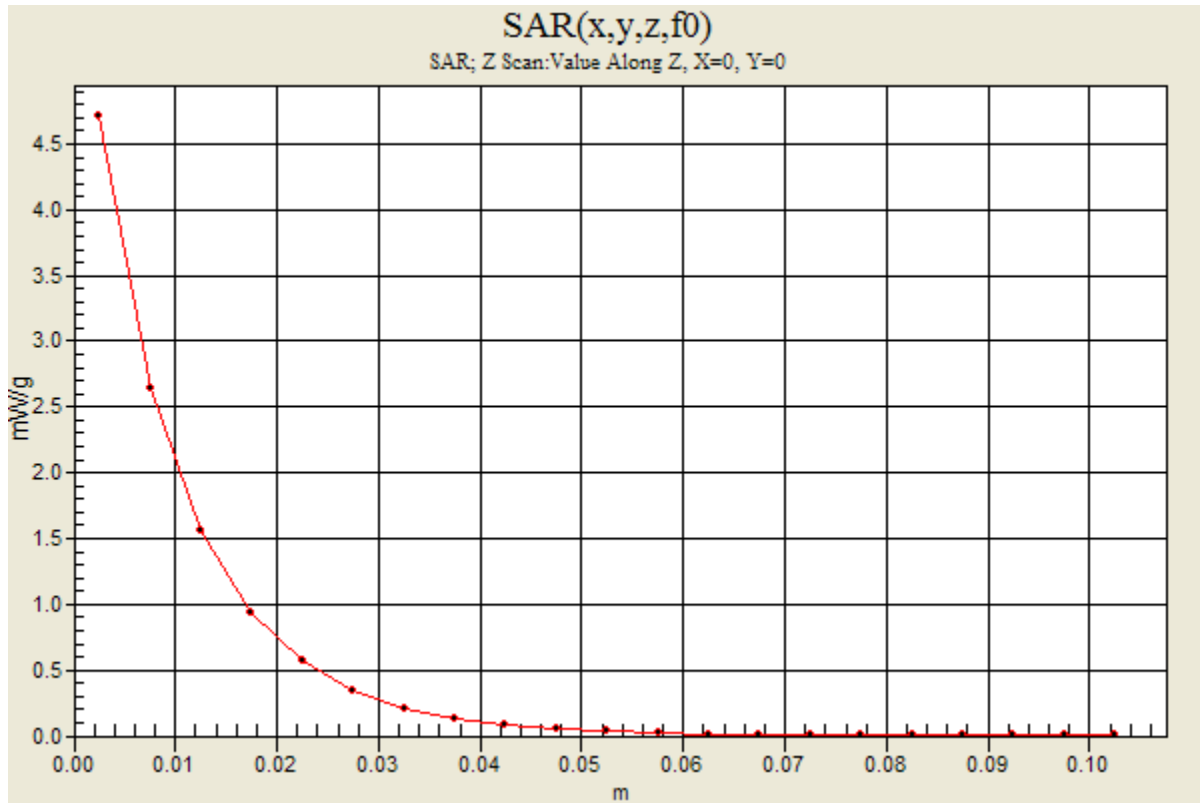


0 dB = 5.59mW/g

### 20120918\_SystemPerformanceCheck-D1900V2 SN 5d043

Frequency: 1900 MHz; Duty Cycle: 1:1

**Body, Pin=100mW/Z Scan (1x1x21):** Measurement grid: dx=20mm, dy=20mm, dz=5mm  
Maximum value of SAR (measured) = 4.71 mW/g



## 20120919\_SystemPerformanceCheck-D1750V2 SN 1050

Frequency: 1750 MHz; Duty Cycle: 1:1; Room Ambient Temperature: 24.0°C; Liquid Temperature: 23.0°C

Medium parameters used:  $f = 1750$  MHz;  $\sigma = 1.52$  mho/m;  $\epsilon_r = 52.9$ ;  $\rho = 1000$  kg/m<sup>3</sup>;

DASY4 Configuration:

- Area Scan setting - Find Secondary Maximum Within: 2.0 dB and with a peak SAR value greater than 0.0012W/kg
- Electronics: DAE3 Sn500; Calibrated: 6/13/2012
- Probe: EX3DV4 - SN3749; ConvF(7.23, 7.23, 7.23); Calibrated: 1/27/2012
- Sensor-Surface: 2.5mm (Mechanical Surface Detection (Locations From Previous Scan Used))Sensor-Surface: 2.5mm (Mechanical Surface Detection)
- Phantom: Flat Phantom ELI4.0; Type: QDOVA001BB; Serial: SN:1017

**Body, Pin=100mW/Area Scan (7x7x1):** Measurement grid: dx=15mm, dy=15mm

Maximum value of SAR (measured) = 3.70 mW/g

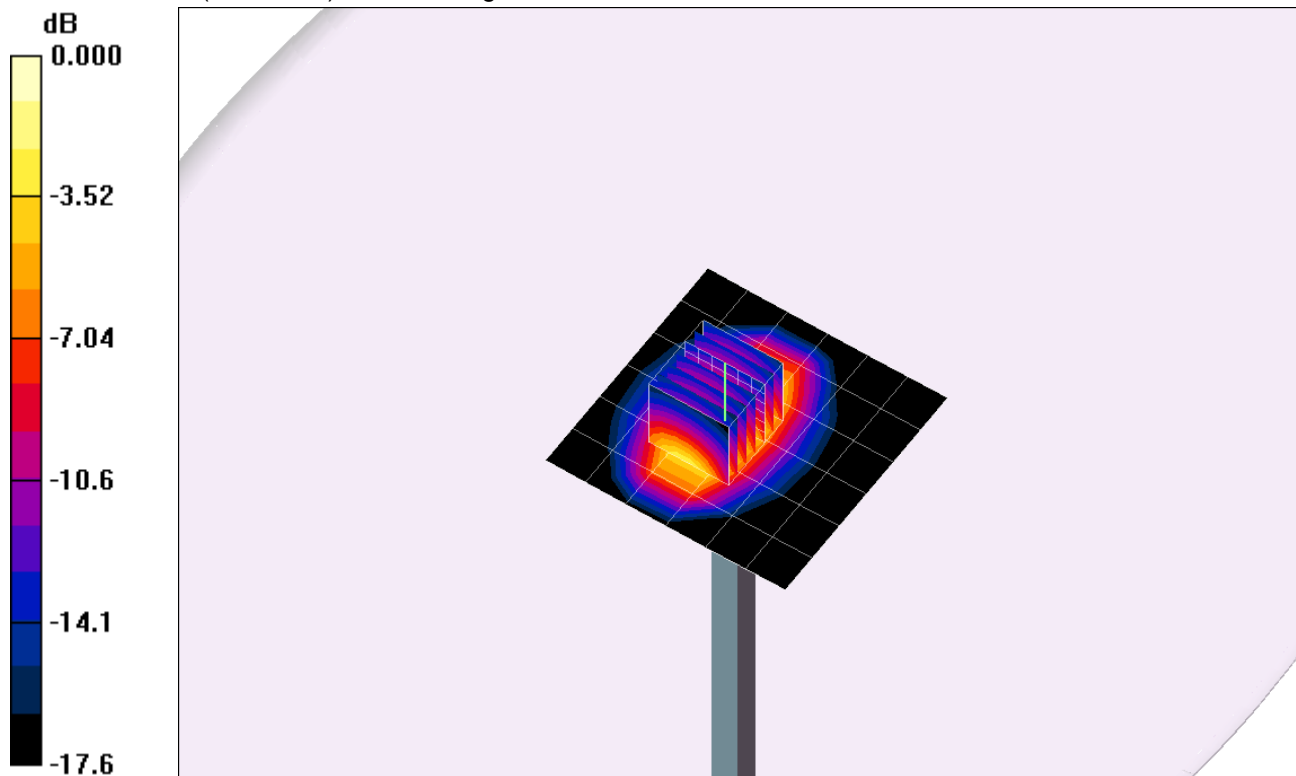
**Body, Pin=100mW/Zoom Scan (7x7x7)/Cube 0:** Measurement grid: dx=5mm, dy=5mm, dz=5mm

Reference Value = 55.0 V/m; Power Drift = 0.077 dB

Peak SAR (extrapolated) = 6.87 W/kg

**SAR(1 g) = 3.78 mW/g; SAR(10 g) = 2.01 mW/g**

Maximum value of SAR (measured) = 5.00 mW/g

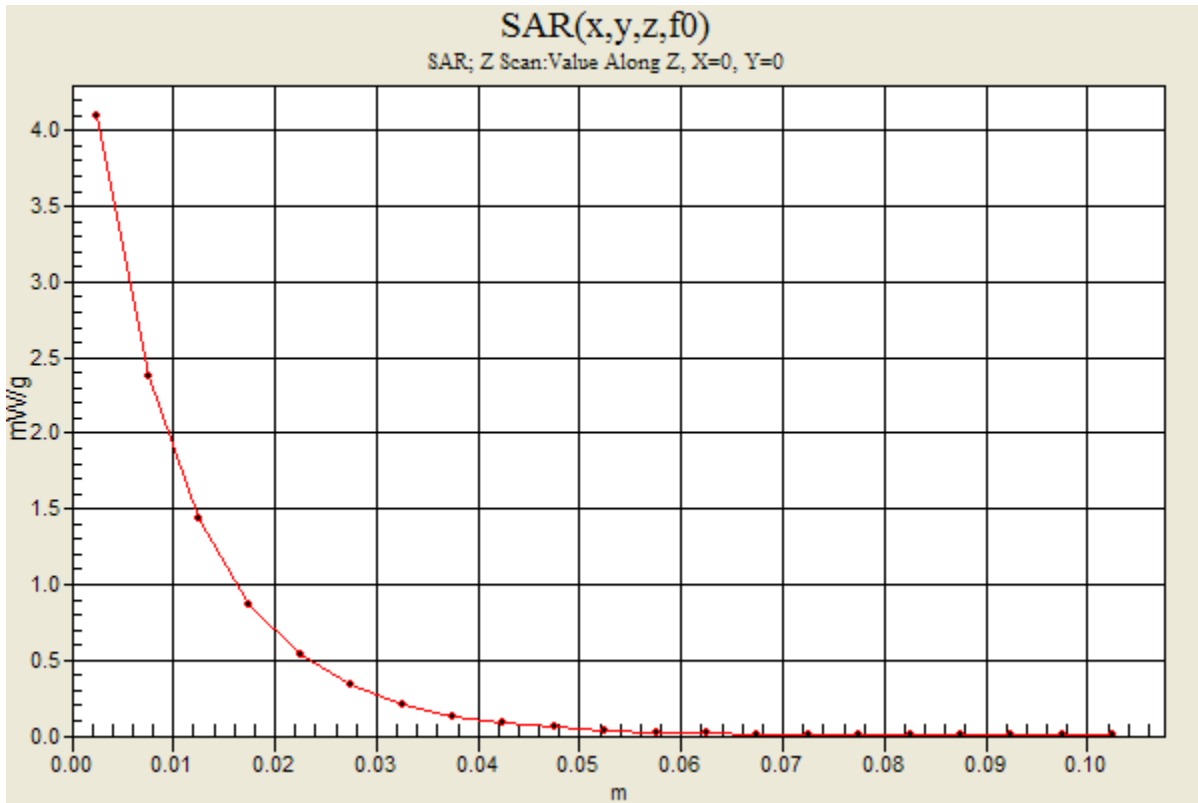


0 dB = 5.00mW/g

### 20120919\_SystemPerformanceCheck-D1750V2 SN 1050

Frequency: 1750 MHz; Duty Cycle: 1:1

**Body, Pin=100mW/Z Scan (1x1x21):** Measurement grid: dx=20mm, dy=20mm, dz=5mm  
Maximum value of SAR (measured) = 4.10 mW/g



## 20120920\_SystemPerformanceCheck-D1750V2 SN 1050

Frequency: 1750 MHz; Duty Cycle: 1:1; Room Ambient Temperature: 24.0°C; Liquid Temperature: 23.0°C

Medium parameters used:  $f = 1750$  MHz;  $\sigma = 1.52$  mho/m;  $\epsilon_r = 55.3$ ;  $\rho = 1000$  kg/m<sup>3</sup>;

DASY4 Configuration:

- Area Scan setting - Find Secondary Maximum Within: 2.0 dB and with a peak SAR value greater than 0.0012W/kg
- Electronics: DAE3 Sn500; Calibrated: 6/13/2012
- Probe: EX3DV4 - SN3749; ConvF(7.23, 7.23, 7.23); Calibrated: 1/27/2012
- Sensor-Surface: 2.5mm (Mechanical Surface Detection (Locations From Previous Scan Used))Sensor-Surface: 2.5mm (Mechanical Surface Detection)
- Phantom: Flat Phantom ELI4.0; Type: QDOVA001BB; Serial: SN:1017

**Body, Pin=100mW/Area Scan (7x7x1):** Measurement grid: dx=15mm, dy=15mm

Maximum value of SAR (measured) = 3.80 mW/g

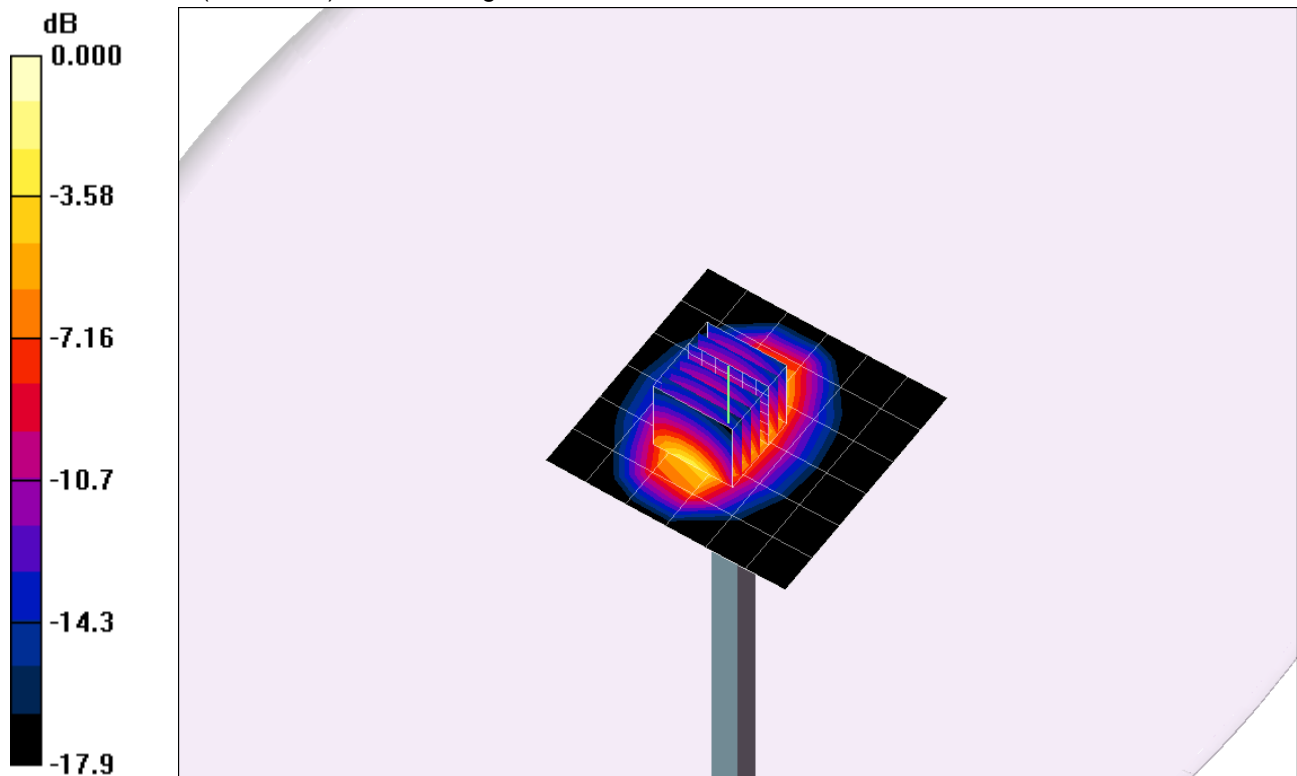
**Body, Pin=100mW/Zoom Scan (7x7x7)/Cube 0:** Measurement grid: dx=5mm, dy=5mm, dz=5mm

Reference Value = 56.1 V/m; Power Drift = 0.062 dB

Peak SAR (extrapolated) = 6.77 W/kg

**SAR(1 g) = 3.74 mW/g; SAR(10 g) = 1.98 mW/g**

Maximum value of SAR (measured) = 4.86 mW/g

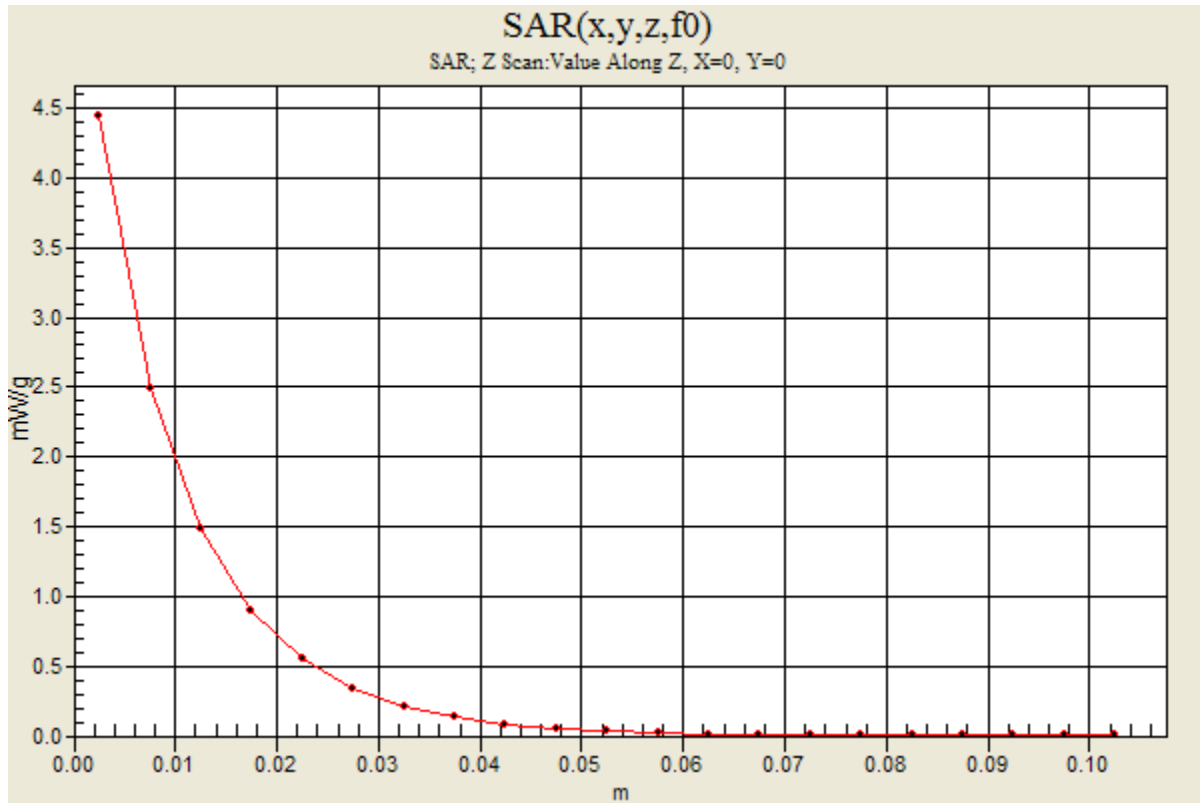


0 dB = 4.86mW/g

### 20120920\_SystemPerformanceCheck-D1750V2 SN 1050

Frequency: 1750 MHz; Duty Cycle: 1:1

**Body, Pin=100mW/Z Scan (1x1x21):** Measurement grid: dx=20mm, dy=20mm, dz=5mm  
Maximum value of SAR (measured) = 4.44 mW/g



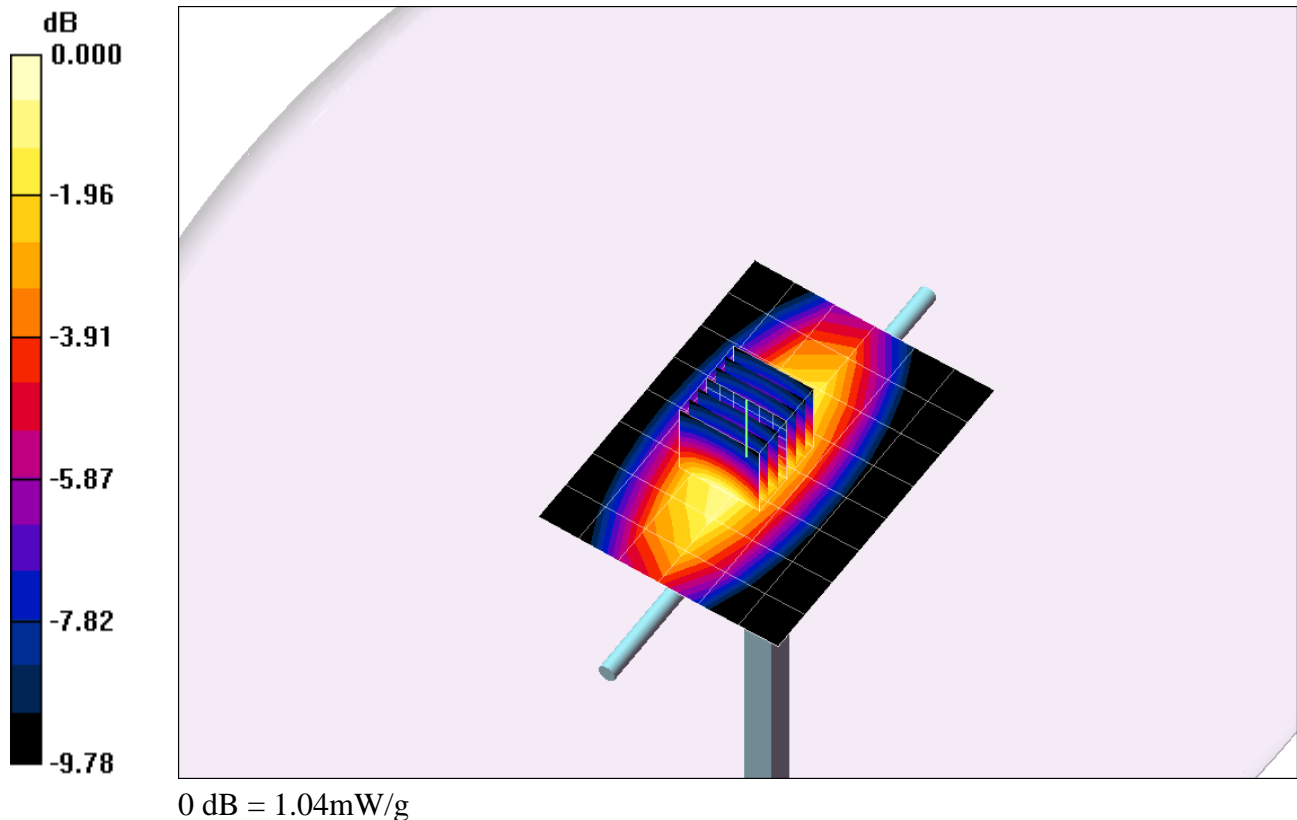
**20120921\_SystemPerformanceCheck-D750V3 SN 1024**

Frequency: 750 MHz; Duty Cycle: 1:1; Room Ambient Temperature: 24.0°C; Liquid Temperature: 23.0°C  
Medium parameters used:  $f = 750$  MHz;  $\sigma = 0.942$  mho/m;  $\epsilon_r = 54.2$ ;  $\rho = 1000$  kg/m<sup>3</sup>;  
DASY4 Configuration:

- Area Scan setting - Find Secondary Maximum Within: 2.0 dB and with a peak SAR value greater than 0.0012W/kg
- Electronics: DAE3 Sn500; Calibrated: 6/13/2012
- Probe: EX3DV4 - SN3749; ConvF(8.97, 8.97, 8.97); Calibrated: 1/27/2012
- Sensor-Surface: 2.5mm (Mechanical Surface Detection)
- Phantom: Flat Phantom ELI4.0; Type: QDOVA001BB; Serial: SN:1017

**Body, Pin=100 mW/Area Scan (7x9x1):** Measurement grid: dx=15mm, dy=15mm  
Maximum value of SAR (measured) = 0.975 mW/g

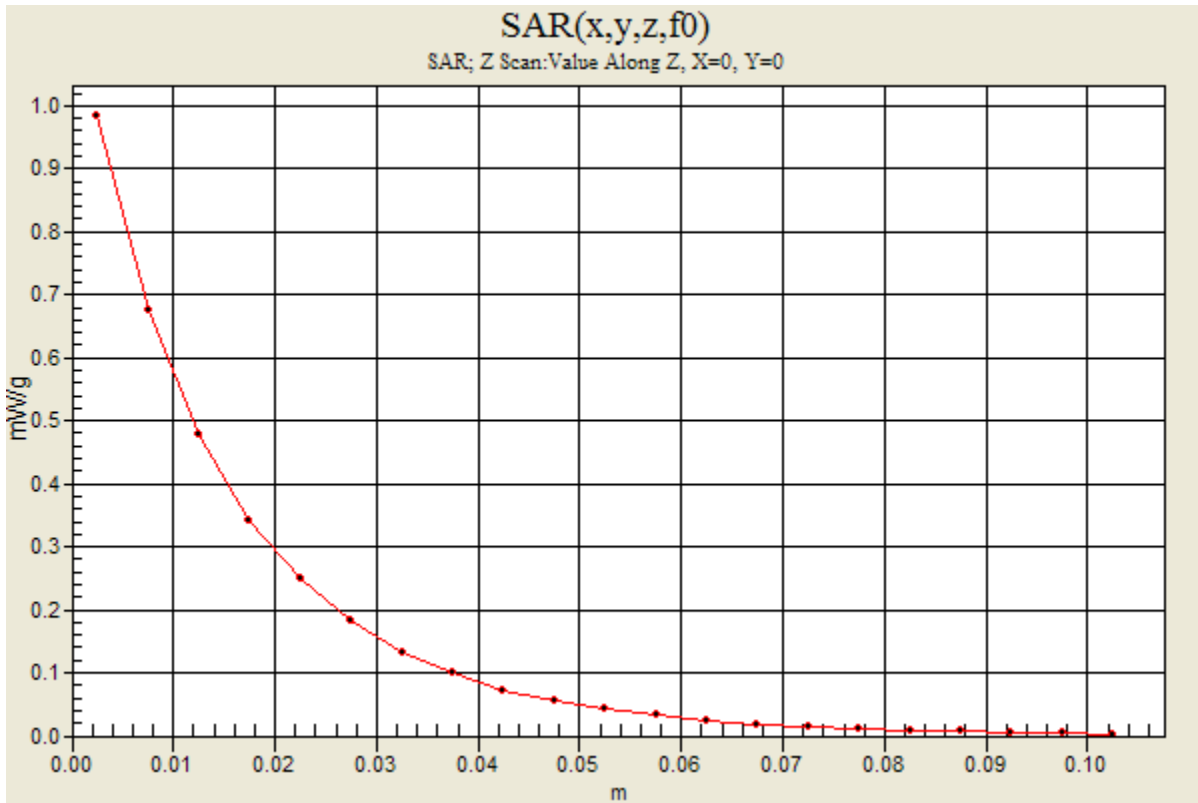
**Body, Pin=100 mW/Zoom Scan (7x7x7)/Cube 0:** Measurement grid: dx=5mm, dy=5mm, dz=5mm  
Reference Value = 32.9 V/m; Power Drift = 0.136 dB  
Peak SAR (extrapolated) = 1.25 W/kg  
**SAR(1 g) = 0.859 mW/g; SAR(10 g) = 0.574 mW/g**  
Maximum value of SAR (measured) = 1.04 mW/g



### 20120921\_SystemPerformanceCheck-D750V3 SN 1024

Frequency: 750 MHz; Duty Cycle: 1:1

**Body, Pin=100 mW/Z Scan (1x1x21):** Measurement grid: dx=20mm, dy=20mm, dz=5mm  
Maximum value of SAR (measured) = 0.984 mW/g





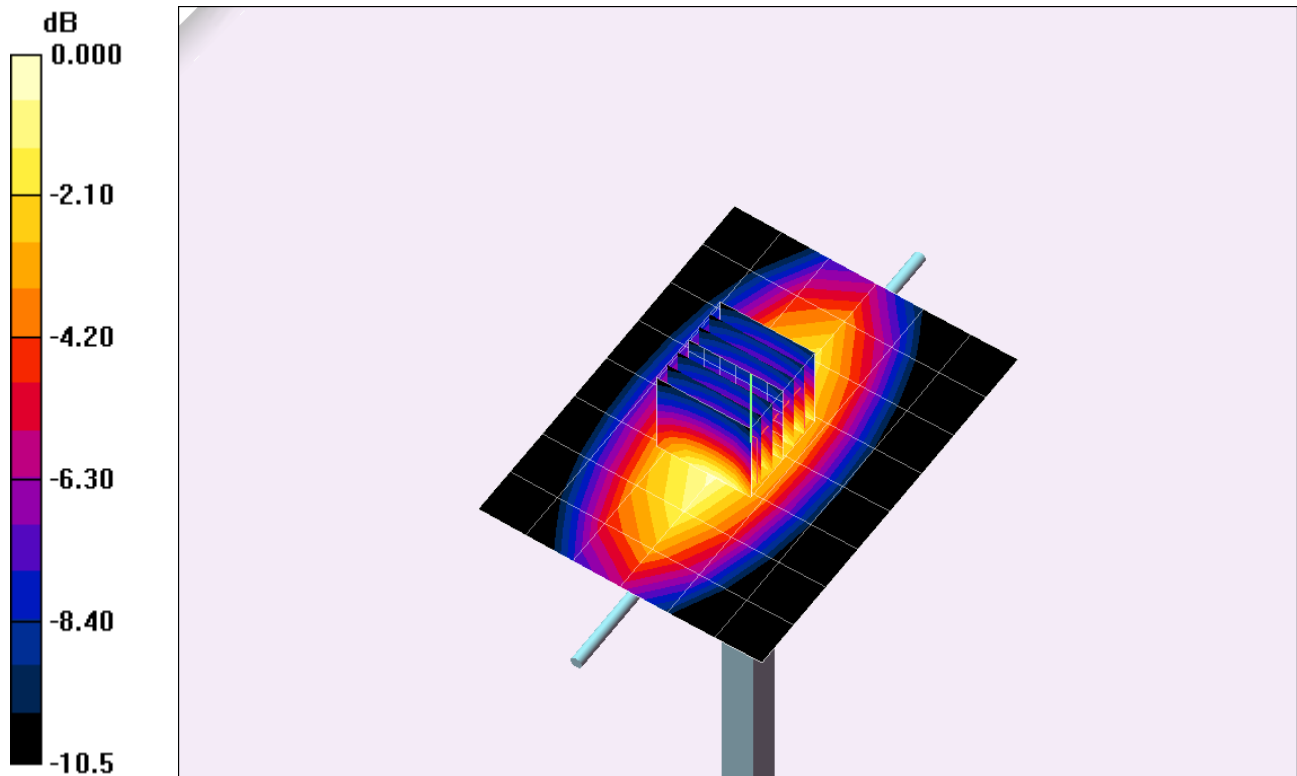
**20120924 SystemPerformanceCheck-D835V2 SN 4d117**

Frequency: 835 MHz; Duty Cycle: 1:1; Room Ambient Temperature: 24.0°C; Liquid Temperature: 23.0°C  
Medium parameters used:  $f = 835$  MHz;  $\sigma = 0.983$  mho/m;  $\epsilon_r = 54.1$ ;  $\rho = 1000$  kg/m<sup>3</sup>;  
DASY4 Configuration:

- Area Scan setting - Find Secondary Maximum Within: 2.0 dB and with a peak SAR value greater than 0.0012W/kg
- Electronics: DAE3 Sn500; Calibrated: 6/13/2012
- Probe: EX3DV4 - SN3749; ConvF(8.84, 8.84, 8.84); Calibrated: 1/27/2012
- Sensor-Surface: 2.5mm (Mechanical Surface Detection)
- Phantom: Flat Phantom ELI4.0; Type: QDOVA001BB; Serial: SN:1017

**Body, Pin=100 mW/Area Scan (7x9x1):** Measurement grid: dx=15mm, dy=15mm  
Maximum value of SAR (measured) = 1.19 mW/g

**Body, Pin=100 mW/Zoom Scan (7x7x7)/Cube 0:** Measurement grid: dx=5mm, dy=5mm, dz=5mm  
Reference Value = 35.4 V/m; Power Drift = -0.018 dB  
Peak SAR (extrapolated) = 1.48 W/kg  
**SAR(1 g) = 1 mW/g; SAR(10 g) = 0.659 mW/g**  
Maximum value of SAR (measured) = 1.21 mW/g

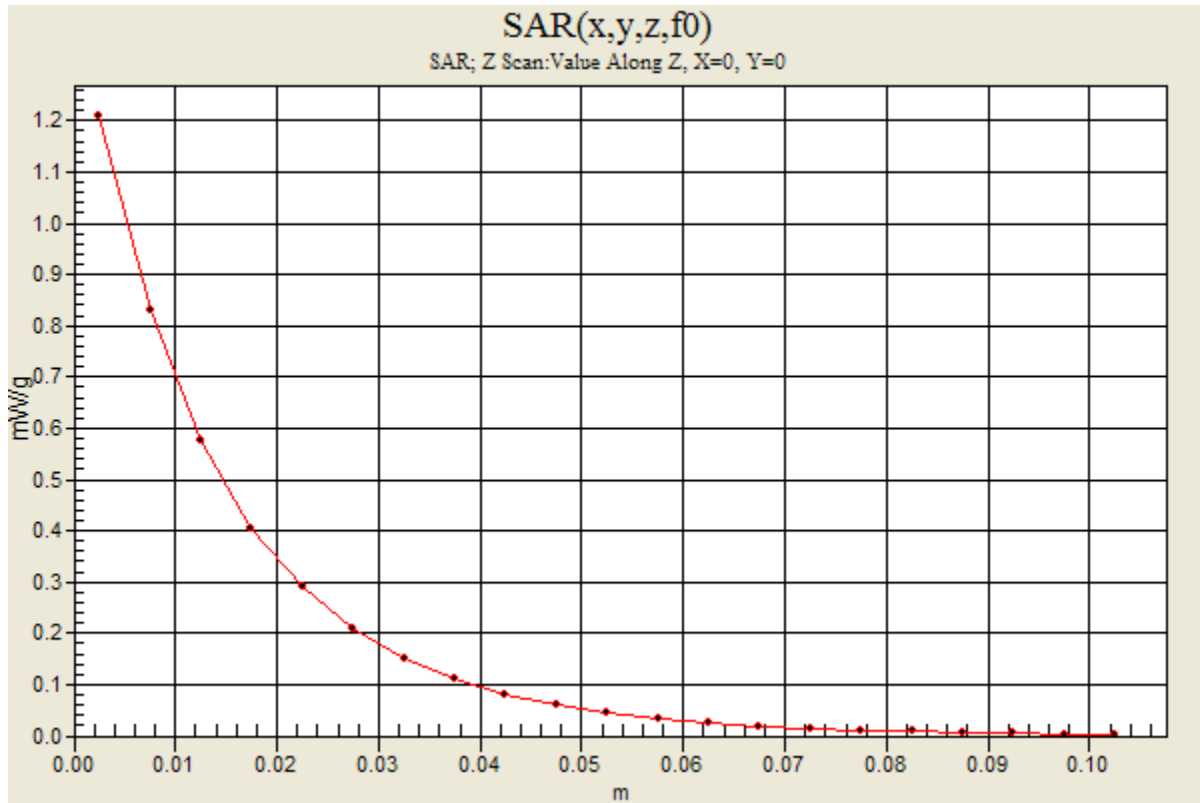


0 dB = 1.21mW/g

### 20120924 SystemPerformanceCheck-D835V2 SN 4d117

Frequency: 835 MHz; Duty Cycle: 1:1

**Body, Pin=100 mW/Z Scan (1x1x21):** Measurement grid: dx=20mm, dy=20mm, dz=5mm  
Maximum value of SAR (measured) = 1.21 mW/g



## 20120925\_SystemPerformanceCheck-D835V2 SN 4d117

Frequency: 835 MHz; Duty Cycle: 1:1; Room Ambient Temperature: 24.0°C; Liquid Temperature: 23.0°C  
 Medium parameters used:  $f = 835 \text{ MHz}$ ;  $\sigma = 0.993 \text{ mho/m}$ ;  $\epsilon_r = 54.1$ ;  $\rho = 1000 \text{ kg/m}^3$ ;

DASY4 Configuration:

- Area Scan setting - Find Secondary Maximum Within: 2.0 dB and with a peak SAR value greater than 0.0012W/kg
- Electronics: DAE3 Sn500; Calibrated: 6/13/2012
- Probe: EX3DV4 - SN3749; ConvF(8.84, 8.84, 8.84); Calibrated: 1/27/2012
- Sensor-Surface: 2.5mm (Mechanical Surface Detection)
- Phantom: Flat Phantom ELI4.0; Type: QDOVA001BB; Serial: SN:1017

**Body, Pin=100 mW/Area Scan (7x9x1):** Measurement grid: dx=15mm, dy=15mm

Maximum value of SAR (measured) = 1.18 mW/g

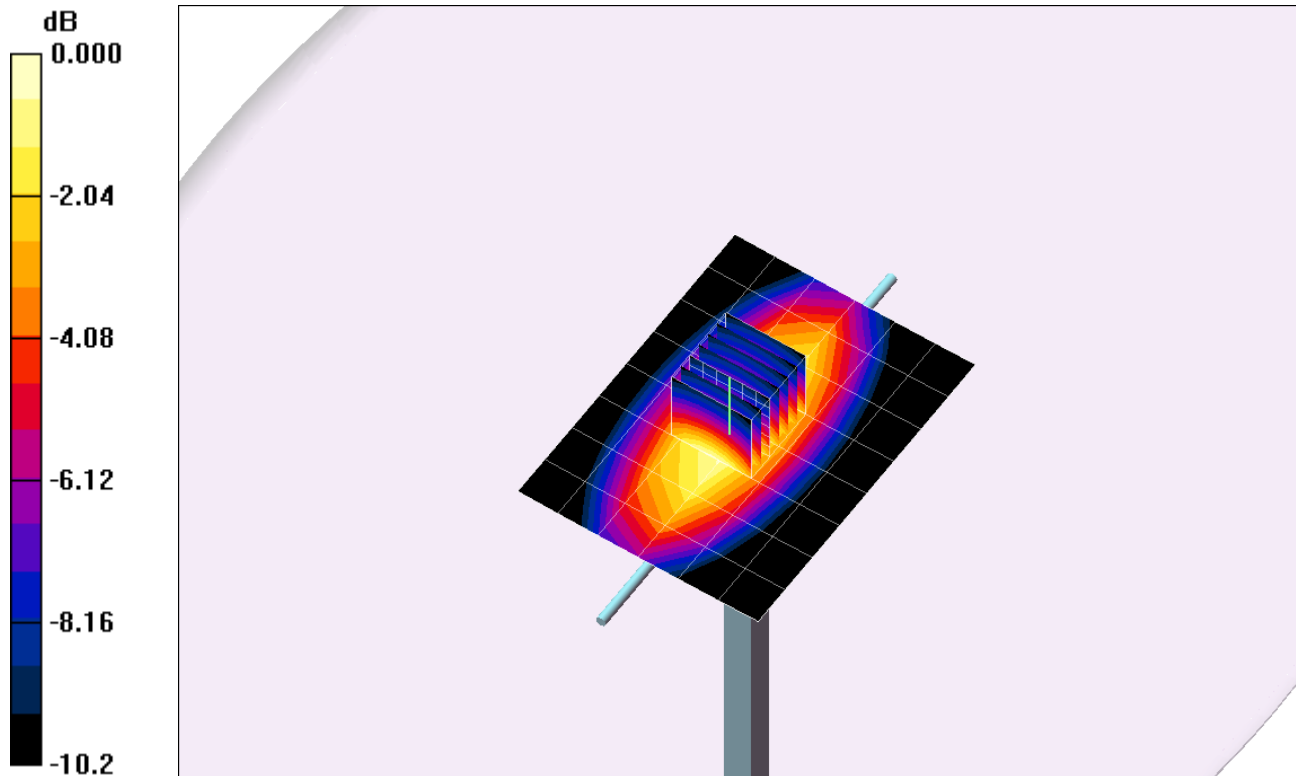
**Body, Pin=100 mW/Zoom Scan (7x7x7)/Cube 0:** Measurement grid: dx=5mm, dy=5mm, dz=5mm

Reference Value = 35.0 V/m; Power Drift = 0.047 dB

Peak SAR (extrapolated) = 1.49 W/kg

**SAR(1 g) = 1.01 mW/g; SAR(10 g) = 0.668 mW/g**

Maximum value of SAR (measured) = 1.23 mW/g

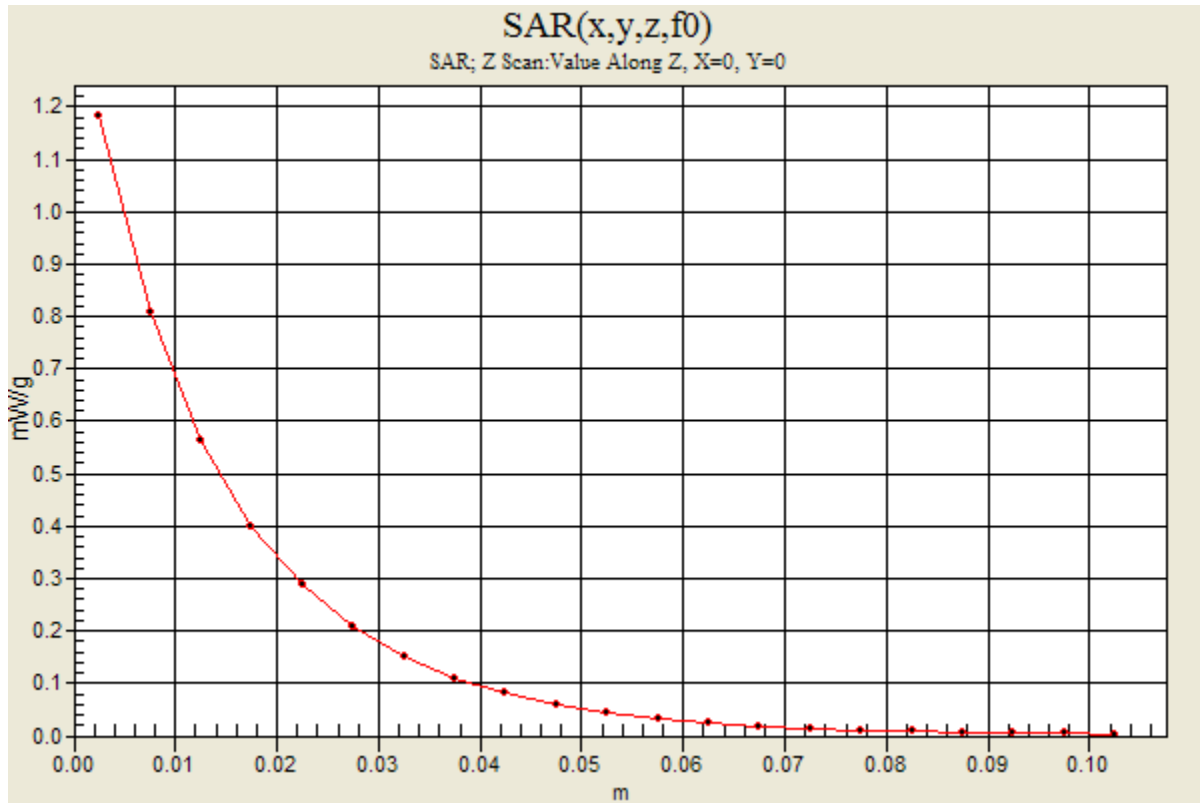


0 dB = 1.23mW/g

### 20120925\_SystemPerformanceCheck-D835V2 SN 4d117

Frequency: 835 MHz; Duty Cycle: 1:1

**Body, Pin=100 mW/Z Scan (1x1x21):** Measurement grid: dx=20mm, dy=20mm, dz=5mm  
Maximum value of SAR (measured) = 1.18 mW/g



## 20121002\_SystemPerformanceCheck-D5GHzV2 SN 1075

Frequency: 5200 MHz; Duty Cycle: 1:1; Room Ambient Temperature: 25.0°C; Liquid Temperature: 24.0°C

Medium parameters used:  $f = 5200$  MHz;  $\sigma = 5.406$  mho/m;  $\epsilon_r = 47.486$ ;  $\rho = 1000$  kg/m<sup>3</sup>

DASY5 Configuration:

- Area Scan setting - Find Secondary Maximum Within: 2.0 dB and with a peak SAR value greater than 0.0012W/kg
- Electronics: DAE4 Sn1259; Calibrated: 2/13/2012
- Probe: EX3DV4 - SN3686; ConvF(4.04, 4.04, 4.04); Calibrated: 2/16/2012
- Sensor-Surface: 2.5mm (Mechanical Surface Detection (Locations From Previous Scan Used)), Sensor-Surface: 1.4mm (Mechanical Surface Detection)
- Phantom: ELI v5.0 (B); Type: QDOVA001BB; Serial: 1118

**Body/5.2 GHz, Pin=100mW/Area Scan (7x7x1):** Measurement grid: dx=10mm, dy=10mm

Maximum value of SAR (measured) = 10.000 mW/g

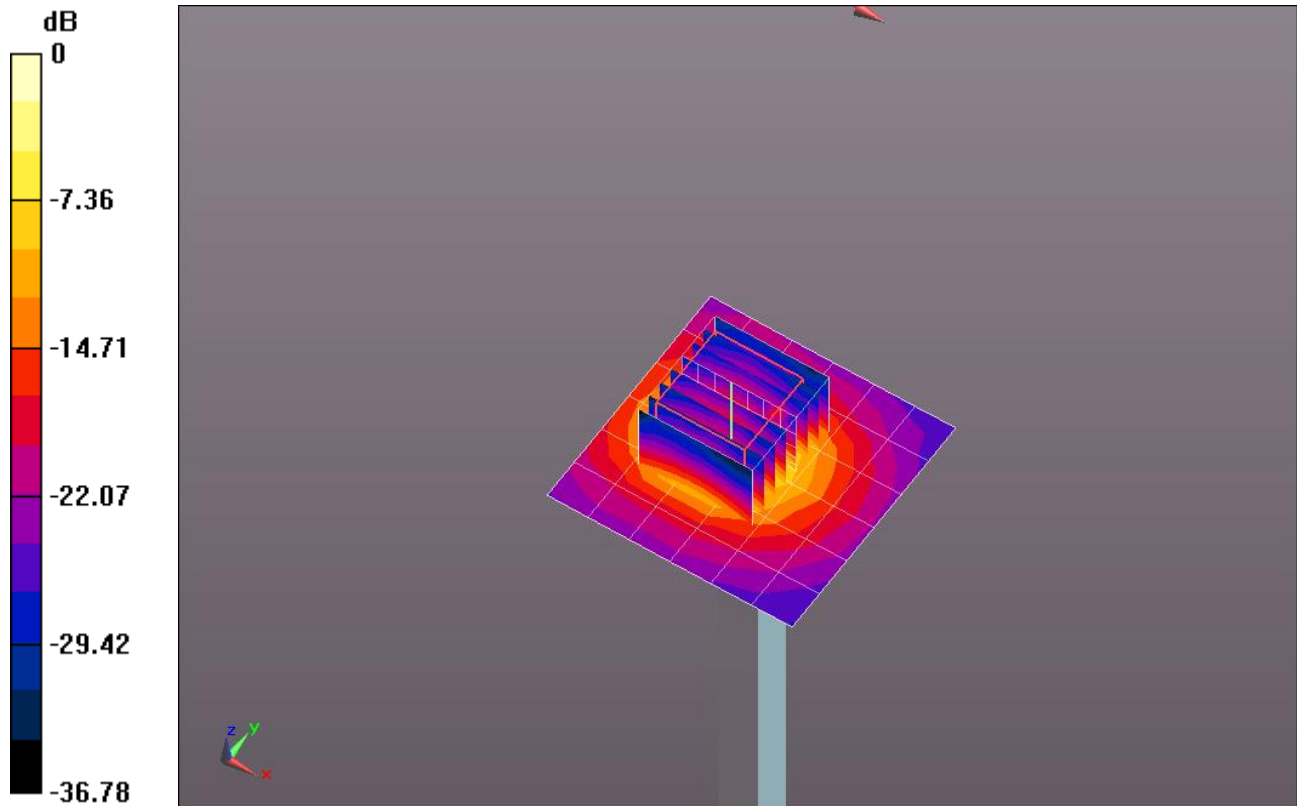
**Body/5.2 GHz, Pin=100mW/Zoom Scan (8x8x7)/Cube 0:** Measurement grid: dx=4mm, dy=4mm, dz=1.4mm

Reference Value = 44.110 V/m; Power Drift = 0.131 dB

Peak SAR (extrapolated) = 31.2670

**SAR(1 g) = 7.81 mW/g; SAR(10 g) = 2.2 mW/g**

Maximum value of SAR (measured) = 18.467 mW/g

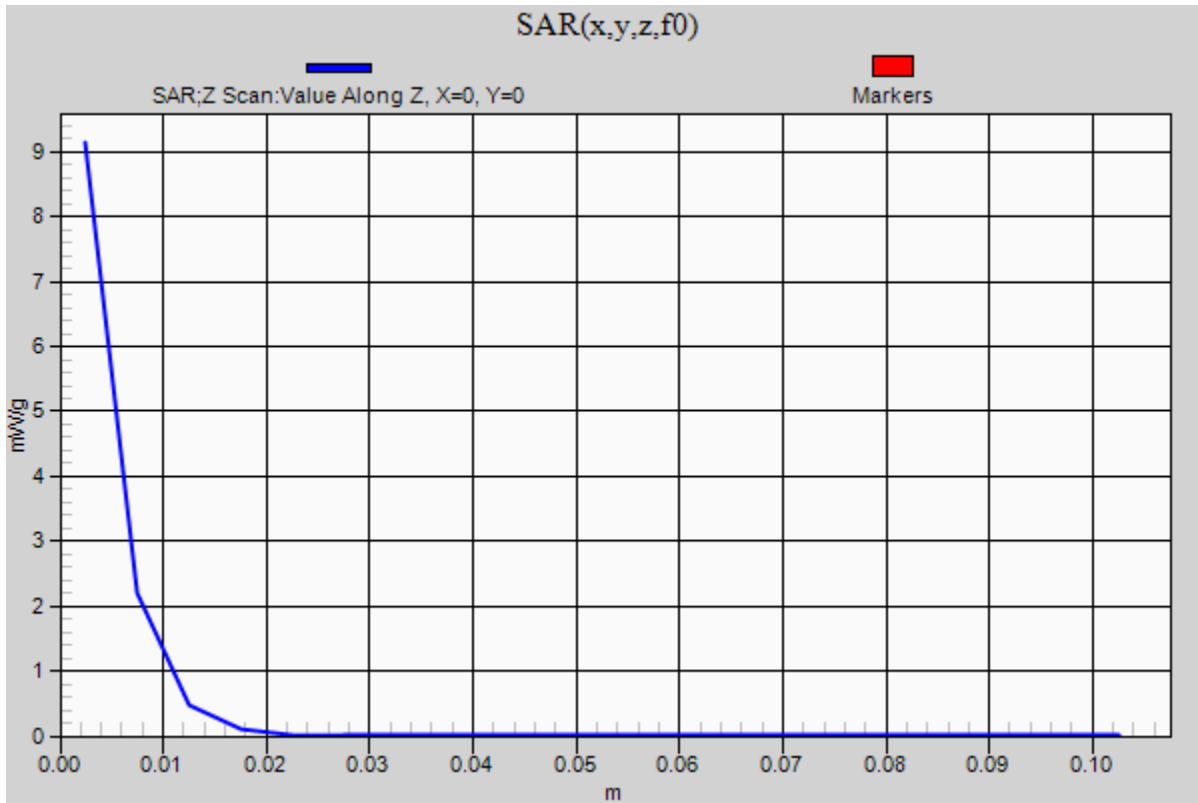


0 dB = 18.470mW/g = 25.33 dB mW/g

## 20121002\_SystemPerformanceCheck-D5GHzV2 SN 1075

Frequency: 5200 MHz; Duty Cycle: 1:1

**Body/5.2 GHz, Pin=100mW/Z Scan (1x1x21):** Measurement grid: dx=20mm, dy=20mm, dz=5mm  
Maximum value of SAR (measured) = 9.140 mW/g



## 20121003\_SystemPerformanceCheck-D5GHzV2 SN 1075

Frequency: 5200 MHz; Duty Cycle: 1:1; Room Ambient Temperature: 25.0°C; Liquid Temperature: 24.0°C

Medium parameters used:  $f = 5200$  MHz;  $\sigma = 5.228$  mho/m;  $\epsilon_r = 47.507$ ;  $\rho = 1000$  kg/m<sup>3</sup>

DASY5 Configuration:

- Area Scan setting - Find Secondary Maximum Within: 2.0 dB and with a peak SAR value greater than 0.0012W/kg
- Electronics: DAE4 Sn1259; Calibrated: 2/13/2012
- Probe: EX3DV4 - SN3686; ConvF(4.04, 4.04, 4.04); Calibrated: 2/16/2012
- Sensor-Surface: 2.5mm (Mechanical Surface Detection (Locations From Previous Scan Used)), Sensor-Surface: 1.4mm (Mechanical Surface Detection)
- Phantom: ELI v5.0 (B); Type: QDOVA001BB; Serial: 1118

**Body/5.2 GHz, Pin=100mW/Area Scan (7x7x1):** Measurement grid: dx=10mm, dy=10mm

Maximum value of SAR (measured) = 9.154 mW/g

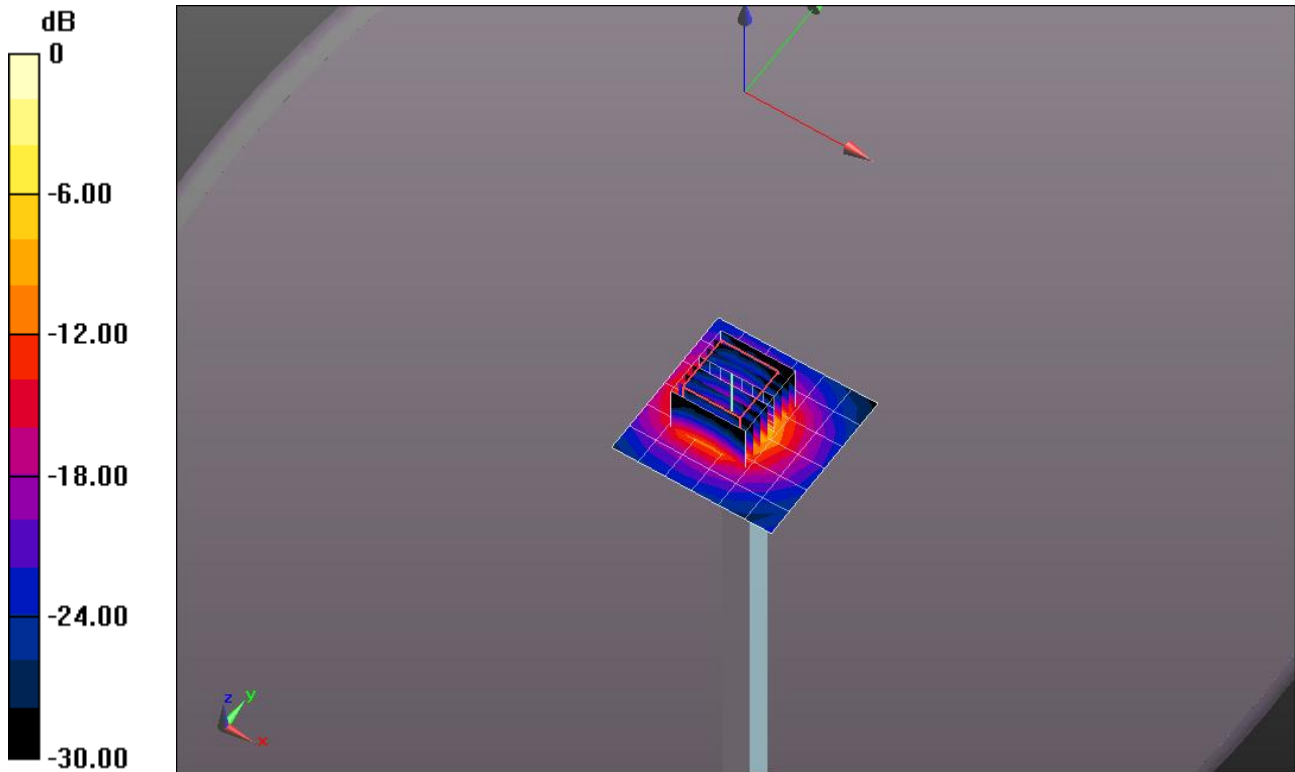
**Body/5.2 GHz, Pin=100mW/Zoom Scan (8x8x7)/Cube 0:** Measurement grid: dx=4mm, dy=4mm, dz=1.4mm

Reference Value = 42.825 V/m; Power Drift = 0.19 dB

Peak SAR (extrapolated) = 28.6160

**SAR(1 g) = 7.18 mW/g; SAR(10 g) = 2.02 mW/g**

Maximum value of SAR (measured) = 16.935 mW/g

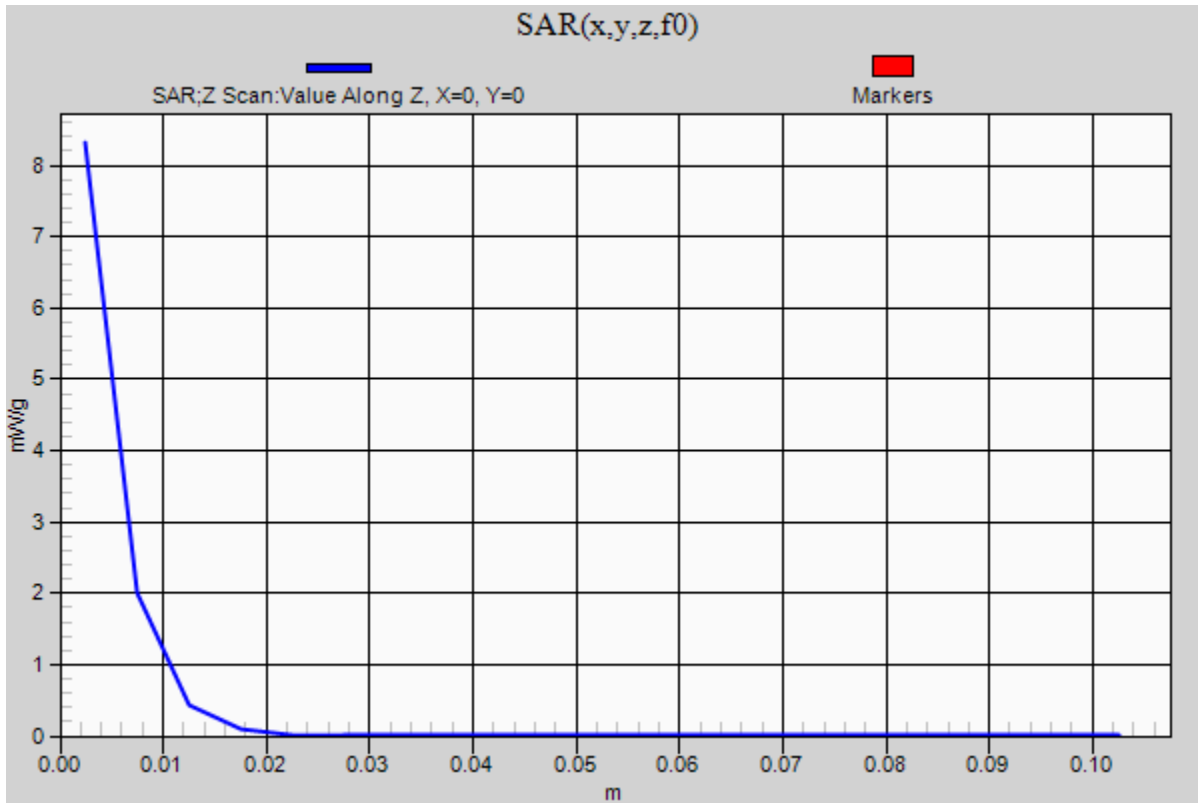


0 dB = 16.930mW/g = 24.57 dB mW/g

## 20121003\_SystemPerformanceCheck-D5GHzV2 SN 1075

Frequency: 5200 MHz; Duty Cycle: 1:1

**Body/5.2 GHz, Pin=100mW/Z Scan (1x1x21):** Measurement grid: dx=20mm, dy=20mm, dz=5mm  
Maximum value of SAR (measured) = 8.316 mW/g





## 20121005\_SystemPerformanceCheck-D5GHzV2 SN 1075

Frequency: 5200 MHz; Duty Cycle: 1:1; Room Ambient Temperature: 25.0°C; Liquid Temperature: 24.0°C

Medium parameters used:  $f = 5200$  MHz;  $\sigma = 5.369$  mho/m;  $\epsilon_r = 47.886$ ;  $\rho = 1000$  kg/m<sup>3</sup>

DASY5 Configuration:

- Area Scan setting - Find Secondary Maximum Within: 2.0 dB and with a peak SAR value greater than 0.0012W/kg
- Electronics: DAE4 Sn1259; Calibrated: 2/13/2012
- Probe: EX3DV4 - SN3686; ConvF(4.04, 4.04, 4.04); Calibrated: 2/16/2012
- Sensor-Surface: 2.5mm (Mechanical Surface Detection), Sensor-Surface: 1.4mm (Mechanical Surface Detection)
- Phantom: ELI v5.0 (B); Type: QDOVA001BB; Serial: 1118

**Body/5.2 GHz, Pin=100mW/Area Scan (7x7x1):** Measurement grid: dx=10mm, dy=10mm

Maximum value of SAR (measured) = 11.810 mW/g

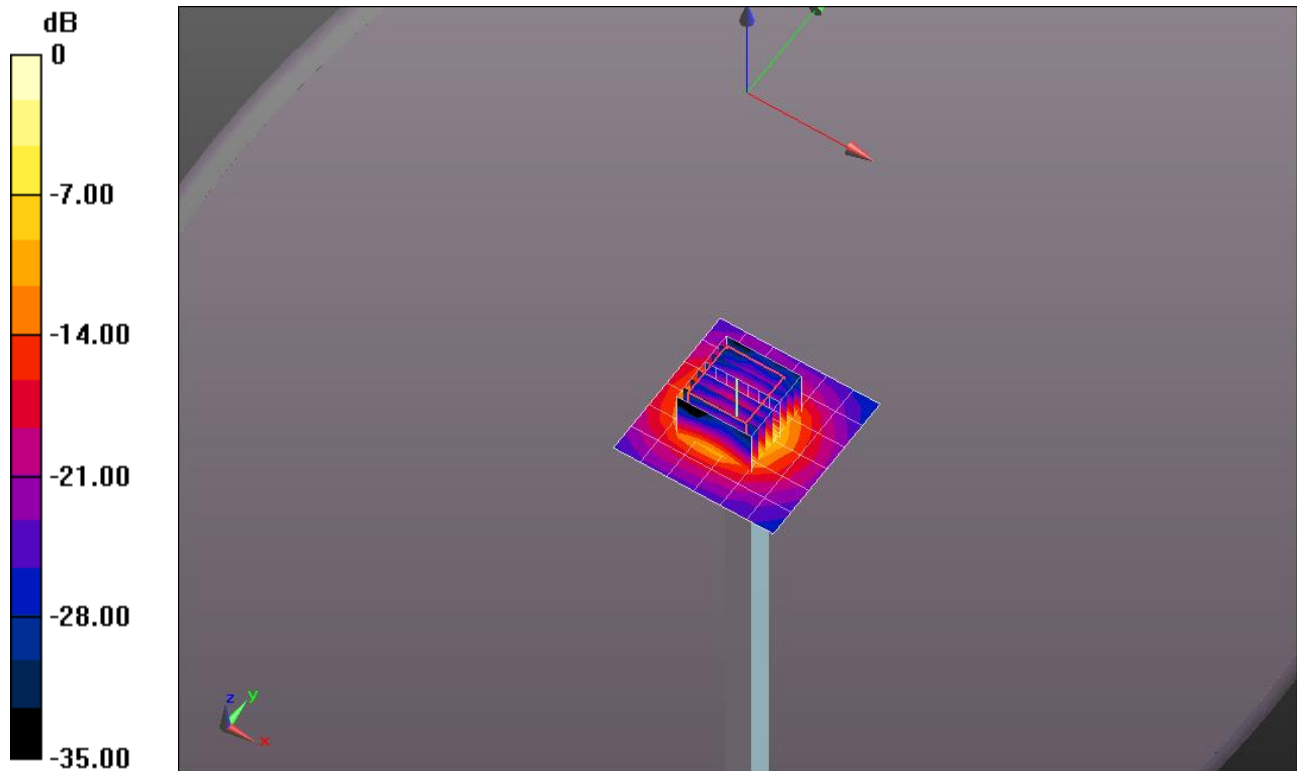
**Body/5.2 GHz, Pin=100mW/Zoom Scan (8x8x7)/Cube 0:** Measurement grid: dx=4mm, dy=4mm, dz=1.4mm

Reference Value = 50.298 V/m; Power Drift = 0.18 dB

Peak SAR (extrapolated) = 28.6200

**SAR(1 g) = 7.62 mW/g; SAR(10 g) = 2.17 mW/g**

Maximum value of SAR (measured) = 17.322 mW/g

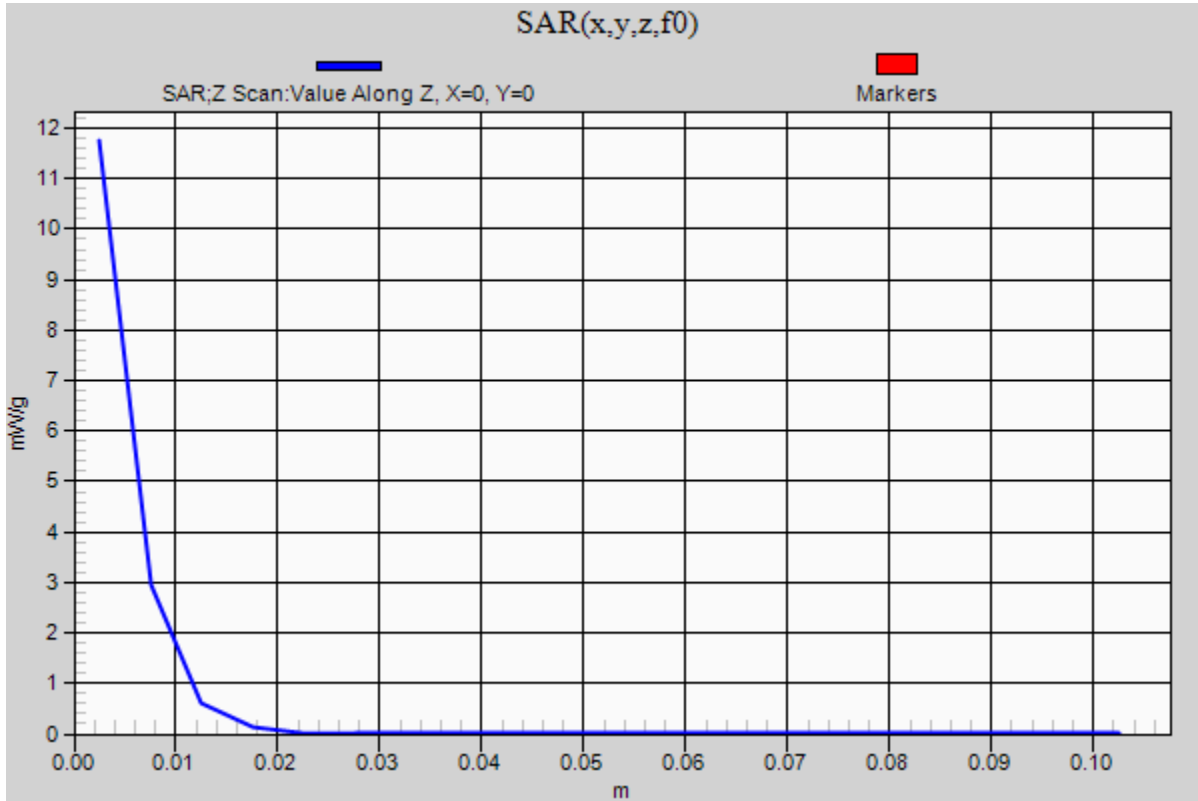


0 dB = 17.320mW/g = 24.77 dB mW/g

## 20121005\_SystemPerformanceCheck-D5GHzV2 SN 1075

Frequency: 5200 MHz; Duty Cycle: 1:1

**Body/5.2 GHz, Pin=100mW/Z Scan (1x1x21):** Measurement grid: dx=20mm, dy=20mm, dz=5mm  
Maximum value of SAR (measured) = 11.750 mW/g



## 20121008\_SystemPerformanceCheck-D5GHzV2 SN 1075

Frequency: 5200 MHz; Duty Cycle: 1:1; Room Ambient Temperature: 25.0°C; Liquid Temperature: 24.0°C

Medium parameters used:  $f = 5200$  MHz;  $\sigma = 5.084$  mho/m;  $\epsilon_r = 47.678$ ;  $\rho = 1000$  kg/m<sup>3</sup>

DASY5 Configuration:

- Area Scan setting - Find Secondary Maximum Within: 2.0 dB and with a peak SAR value greater than 0.0012W/kg
- Electronics: DAE4 Sn1259; Calibrated: 2/13/2012
- Probe: EX3DV4 - SN3686; ConvF(4.04, 4.04, 4.04); Calibrated: 2/16/2012
- Sensor-Surface: 2.5mm (Mechanical Surface Detection), Sensor-Surface: 1.4mm (Mechanical Surface Detection)
- Phantom: ELI v5.0 (B); Type: QDOVA001BB; Serial: 1118

**Body/5.2 GHz, Pin=100mW/Area Scan (7x7x1):** Measurement grid: dx=10mm, dy=10mm

Maximum value of SAR (measured) = 10.236 mW/g

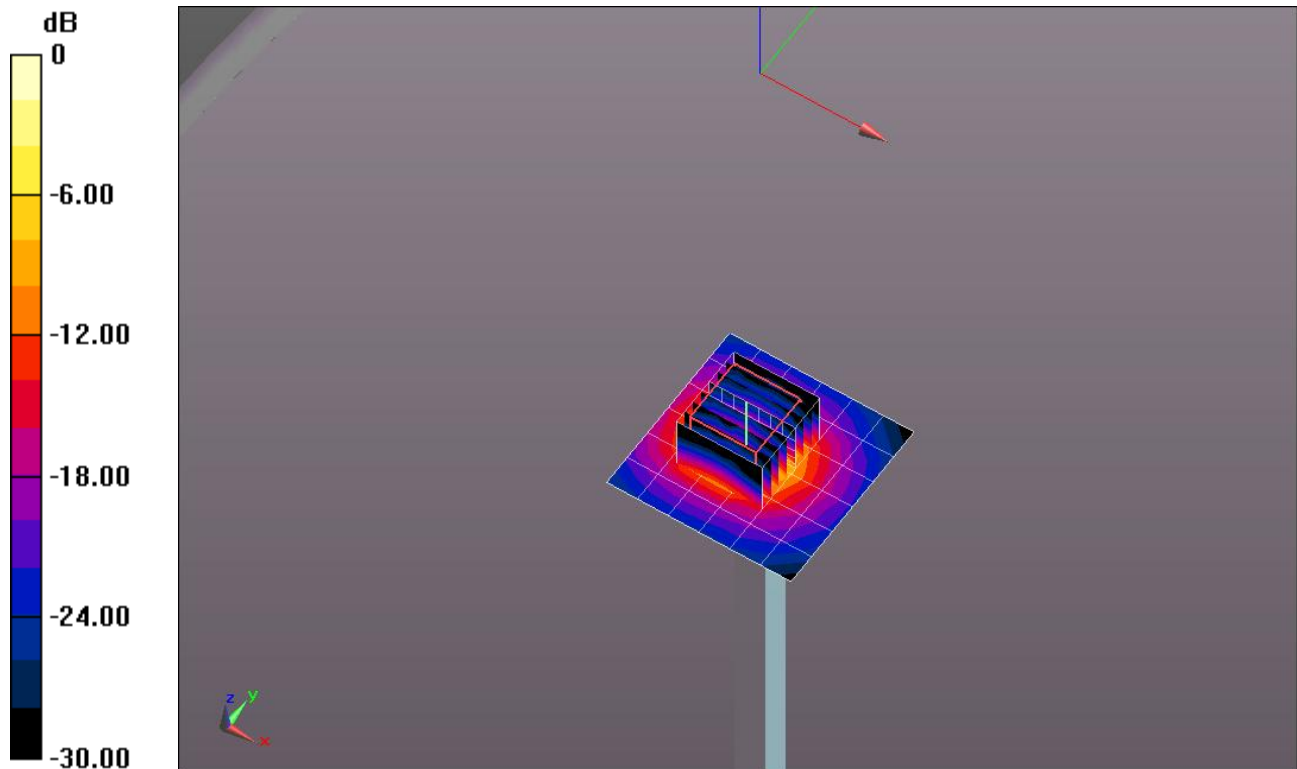
**Body/5.2 GHz, Pin=100mW/Zoom Scan (8x8x7)/Cube 0:** Measurement grid: dx=4mm, dy=4mm, dz=1.4mm

Reference Value = 48.410 V/m; Power Drift = 0.19 dB

Peak SAR (extrapolated) = 27.7330

**SAR(1 g) = 7.26 mW/g; SAR(10 g) = 2.06 mW/g**

Maximum value of SAR (measured) = 16.940 mW/g

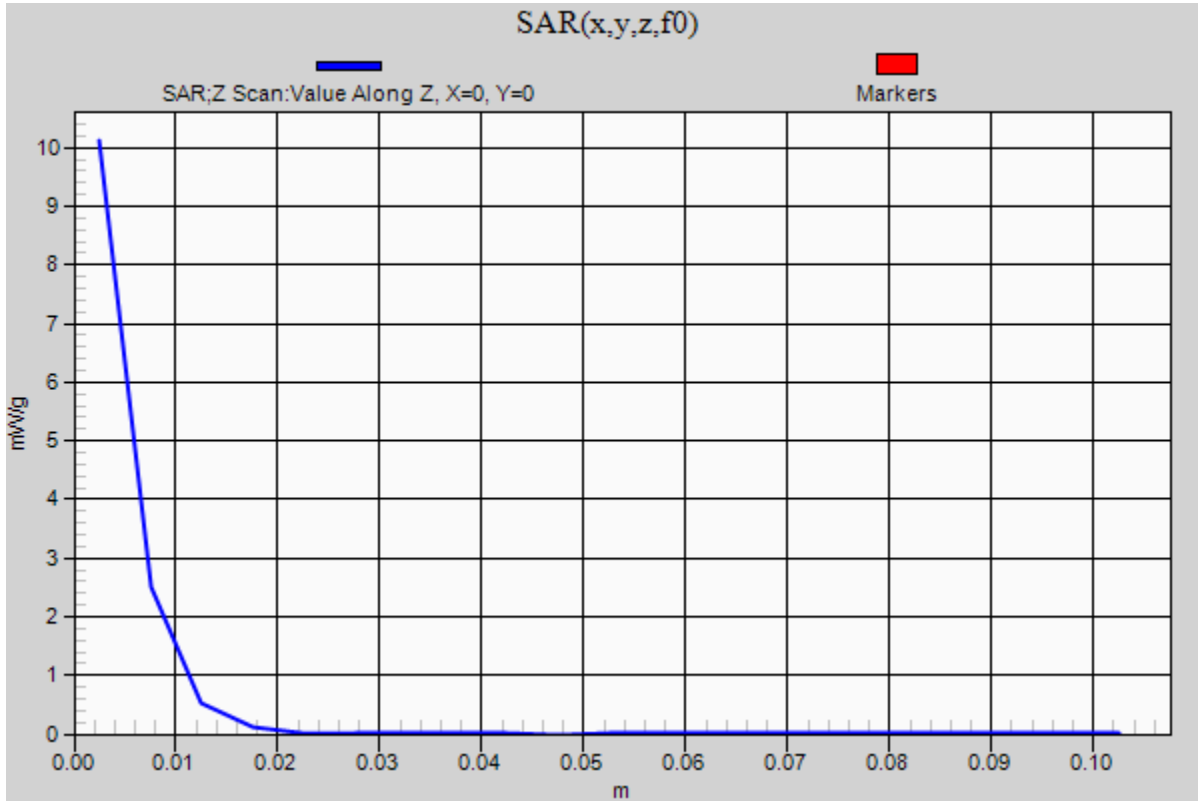


0 dB = 16.940mW/g = 24.58 dB mW/g

## 20121008\_SystemPerformanceCheck-D5GHzV2 SN 1075

Frequency: 5200 MHz; Duty Cycle: 1:1

**Body/5.2 GHz, Pin=100mW/Z Scan (1x1x21):** Measurement grid: dx=20mm, dy=20mm, dz=5mm  
Maximum value of SAR (measured) = 10.117 mW/g



## 20121009\_SystemPerformanceCheck-D5GHzV2 SN 1075

Frequency: 5500 MHz; Duty Cycle: 1:1; Room Ambient Temperature: 25.0°C; Liquid Temperature: 24.0°C

Medium parameters used:  $f = 5500$  MHz;  $\sigma = 5.66$  mho/m;  $\epsilon_r = 48.383$ ;  $\rho = 1000$  kg/m<sup>3</sup>

DASY5 Configuration:

- Area Scan setting - Find Secondary Maximum Within: 2.0 dB and with a peak SAR value greater than 0.0012W/kg
- Electronics: DAE4 Sn1259; Calibrated: 2/13/2012
- Probe: EX3DV4 - SN3686; ConvF(3.62, 3.62, 3.62); Calibrated: 2/16/2012
- Sensor-Surface: 2.5mm (Mechanical Surface Detection), Sensor-Surface: 1.4mm (Mechanical Surface Detection)
- Phantom: ELI v5.0 (B); Type: QDOVA001BB; Serial: 1118

**Body/5.5 GHz, Pin=100mW/Area Scan (7x7x1):** Measurement grid: dx=10mm, dy=10mm

Maximum value of SAR (measured) = 14.795 mW/g

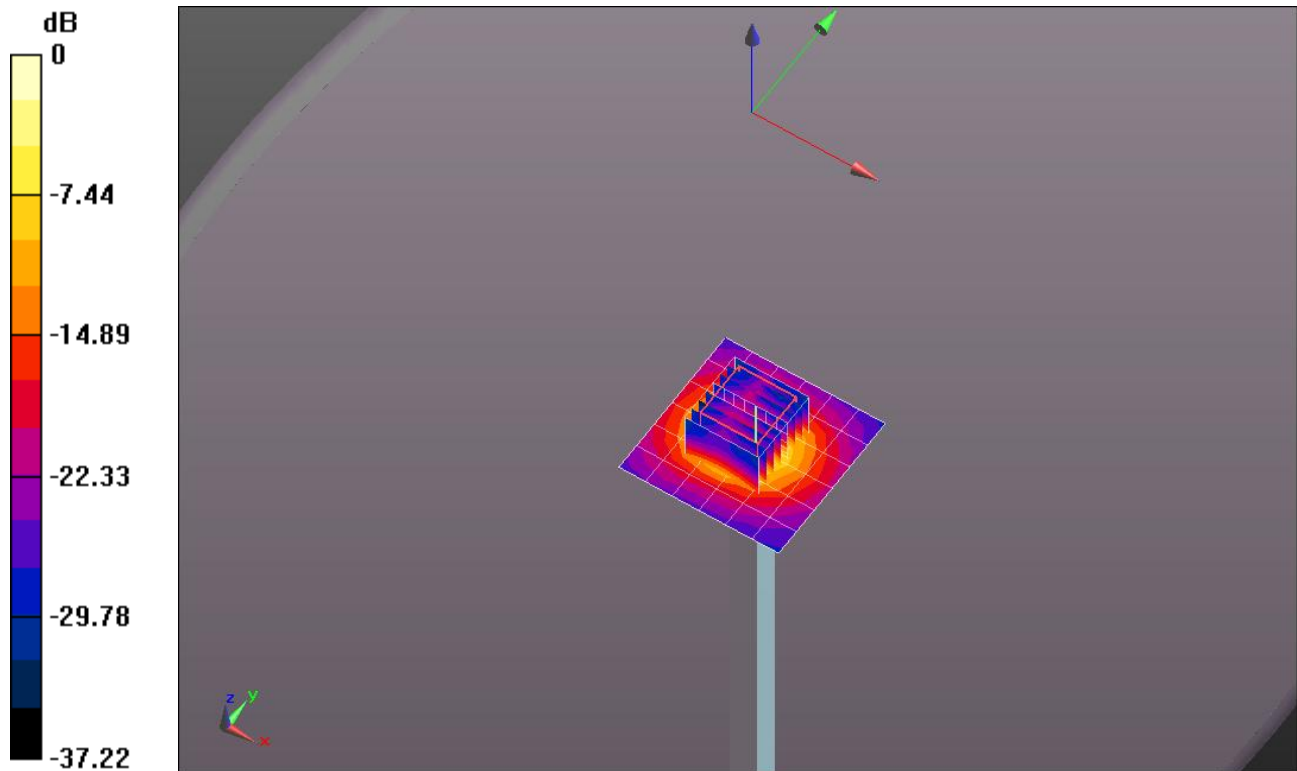
**Body/5.5 GHz, Pin=100mW/Zoom Scan (8x8x7)/Cube 0:** Measurement grid: dx=4mm, dy=4mm, dz=1.4mm

Reference Value = 55.520 V/m; Power Drift = 0.03 dB

Peak SAR (extrapolated) = 33.0460

**SAR(1 g) = 7.99 mW/g; SAR(10 g) = 2.25 mW/g**

Maximum value of SAR (measured) = 19.112 mW/g

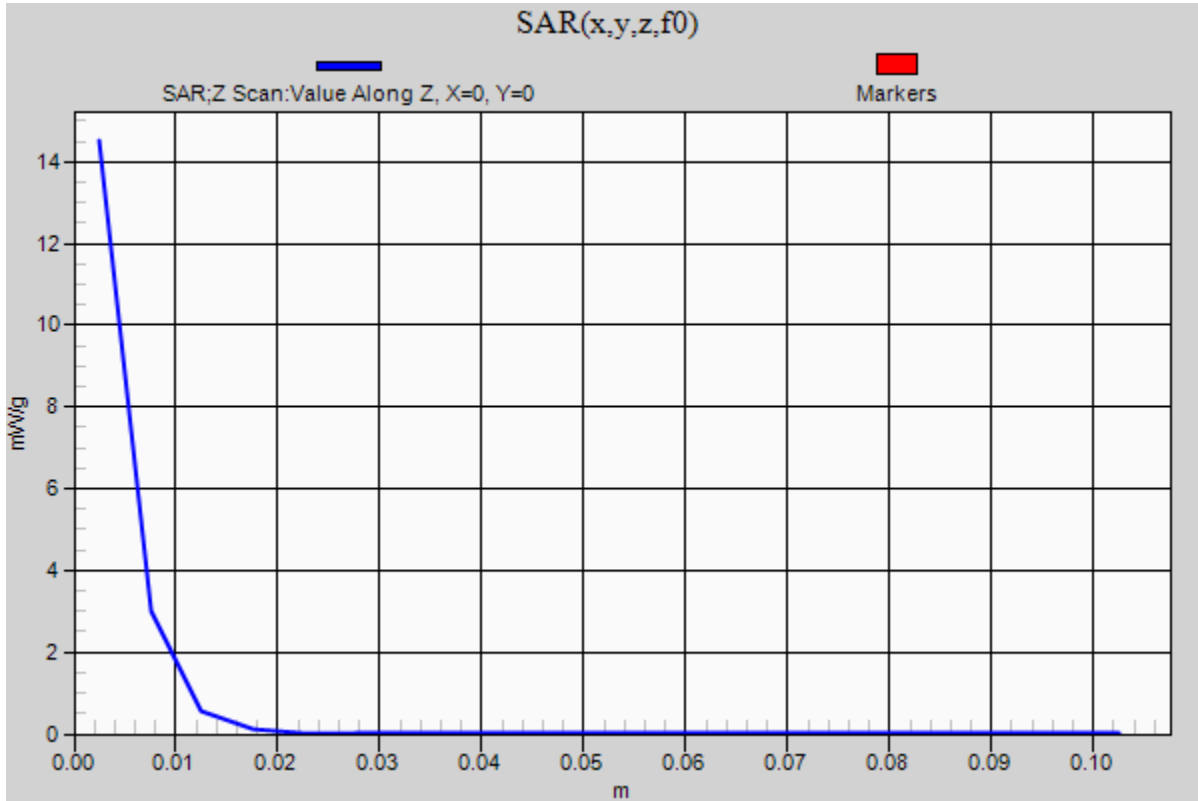


0 dB = 19.110mW/g = 25.63 dB mW/g

## 20121009\_SystemPerformanceCheck-D5GHzV2 SN 1075

Frequency: 5500 MHz; Duty Cycle: 1:1

**Body/5.5 GHz, Pin=100mW/Z Scan (1x1x21):** Measurement grid: dx=20mm, dy=20mm, dz=5mm  
Maximum value of SAR (measured) = 14.514 mW/g



## 20121010\_SystemPerformanceCheck-D5GHzV2 SN 1075

Frequency: 5500 MHz; Duty Cycle: 1:1; Room Ambient Temperature: 25.0°C; Liquid Temperature: 24.0°C

Medium parameters used:  $f = 5500$  MHz;  $\sigma = 5.668$  mho/m;  $\epsilon_r = 50.439$ ;  $\rho = 1000$  kg/m<sup>3</sup>

DASY5 Configuration:

- Area Scan setting - Find Secondary Maximum Within: 2.0 dB and with a peak SAR value greater than 0.0012W/kg
- Electronics: DAE4 Sn1259; Calibrated: 2/13/2012
- Probe: EX3DV4 - SN3686; ConvF(3.62, 3.62, 3.62); Calibrated: 2/16/2012
- Sensor-Surface: 2.5mm (Mechanical Surface Detection), Sensor-Surface: 1.4mm (Mechanical Surface Detection)
- Phantom: ELI v5.0 (B); Type: QDOVA001BB; Serial: 1118

**Body/5.5 GHz, Pin=100mW/Area Scan (7x7x1):** Measurement grid: dx=10mm, dy=10mm

Maximum value of SAR (measured) = 13.422 mW/g

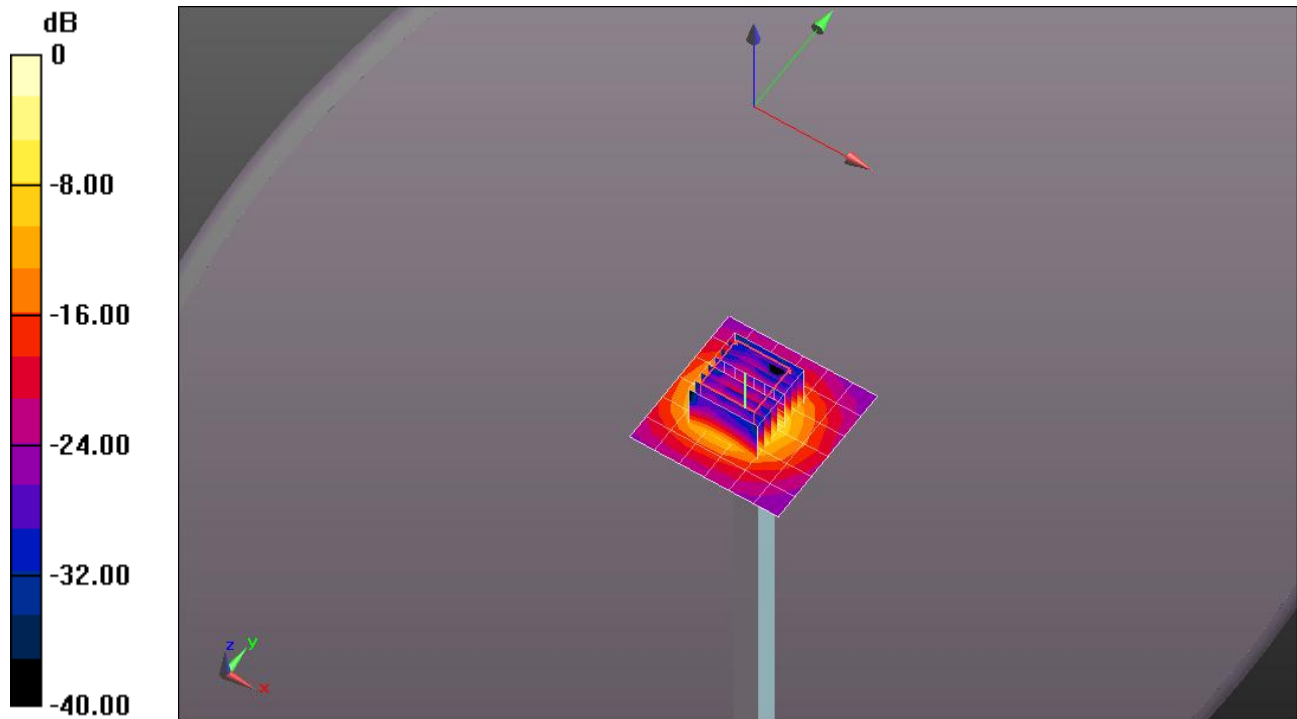
**Body/5.5 GHz, Pin=100mW/Zoom Scan (8x8x7)/Cube 0:** Measurement grid: dx=4mm, dy=4mm, dz=1.4mm

Reference Value = 53.062 V/m; Power Drift = 0.04 dB

Peak SAR (extrapolated) = 30.0240

**SAR(1 g) = 7.26 mW/g; SAR(10 g) = 2.11 mW/g**

Maximum value of SAR (measured) = 17.380 mW/g

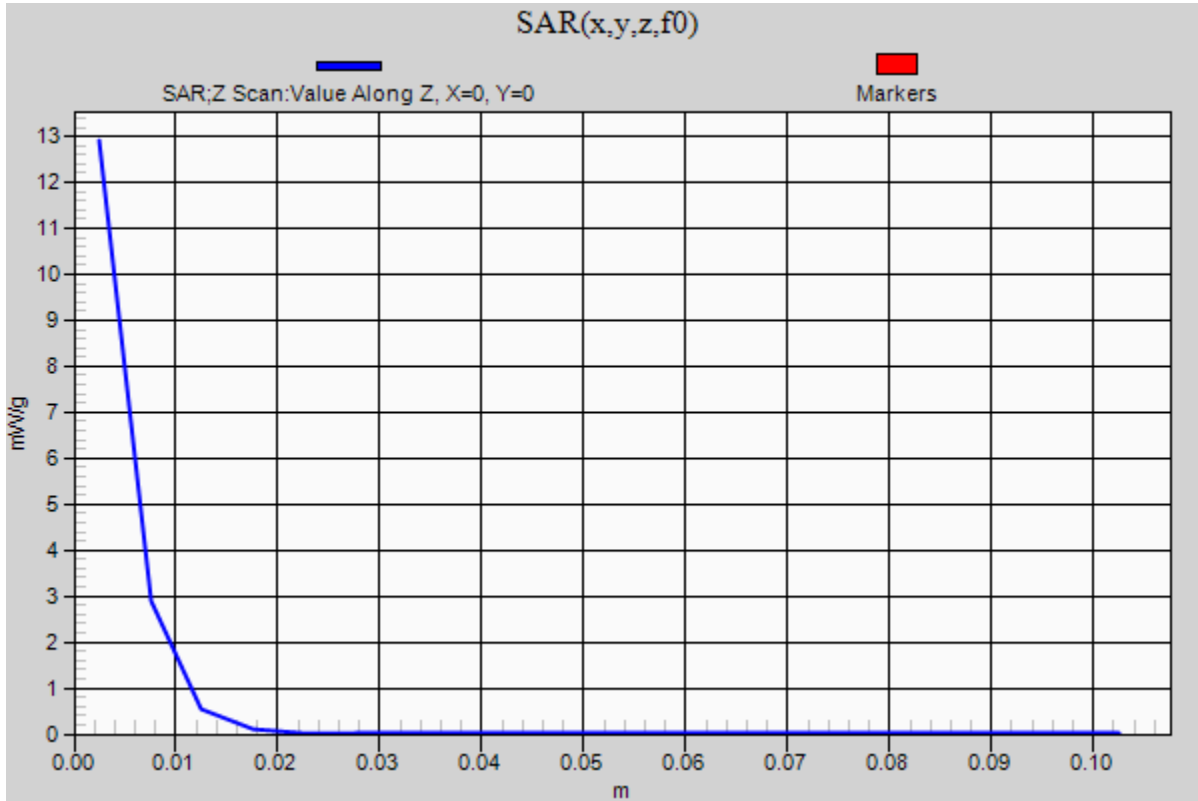


0 dB = 17.380mW/g = 24.80 dB mW/g

## 20121010\_SystemPerformanceCheck-D5GHzV2 SN 1075

Frequency: 5500 MHz; Duty Cycle: 1:1

**Body/5.5 GHz, Pin=100mW/Z Scan (1x1x21):** Measurement grid: dx=20mm, dy=20mm, dz=5mm  
Maximum value of SAR (measured) = 12.904 mW/g





## 20121011\_SystemPerformanceCheck-D5GHzV2 SN 1075

Frequency: 5800 MHz; Duty Cycle: 1:1; Room Ambient Temperature: 25.0°C; Liquid Temperature: 24.0°C  
Medium parameters used:  $f = 5800$  MHz;  $\sigma = 6.175$  mho/m;  $\epsilon_r = 47.544$ ;  $\rho = 1000$  kg/m<sup>3</sup>

DASY5 Configuration:

- Area Scan setting - Find Secondary Maximum Within: 2.0 dB and with a peak SAR value greater than 0.0012W/kg
- Electronics: DAE4 Sn1259; Calibrated: 2/13/2012
- Probe: EX3DV4 - SN3686; ConvF(3.57, 3.57, 3.57); Calibrated: 2/16/2012
- Sensor-Surface: 2.5mm (Mechanical Surface Detection), Sensor-Surface: 1.4mm (Mechanical Surface Detection)
- Phantom: ELI v5.0 (B); Type: QDOVA001BB; Serial: 1118

**Body/5.8 GHz, Pin=100mW/Area Scan (7x7x1):** Measurement grid: dx=10mm, dy=10mm

Maximum value of SAR (measured) = 10.475 mW/g

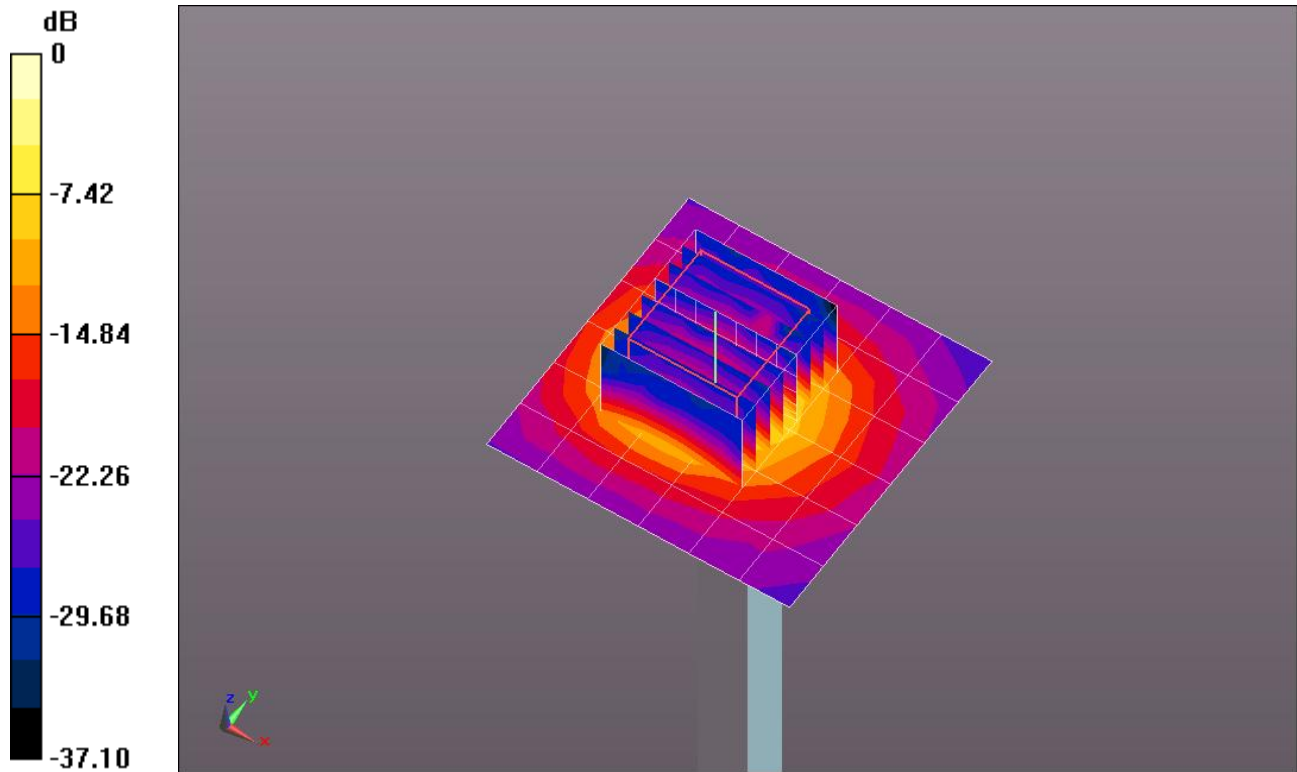
**Body/5.8 GHz, Pin=100mW/Zoom Scan (8x8x7)/Cube 0:** Measurement grid: dx=4mm, dy=4mm, dz=1.4mm

Reference Value = 44.967 V/m; Power Drift = 0.15 dB

Peak SAR (extrapolated) = 28.9200

**SAR(1 g) = 7.12 mW/g; SAR(10 g) = 2.01 mW/g**

Maximum value of SAR (measured) = 16.786 mW/g

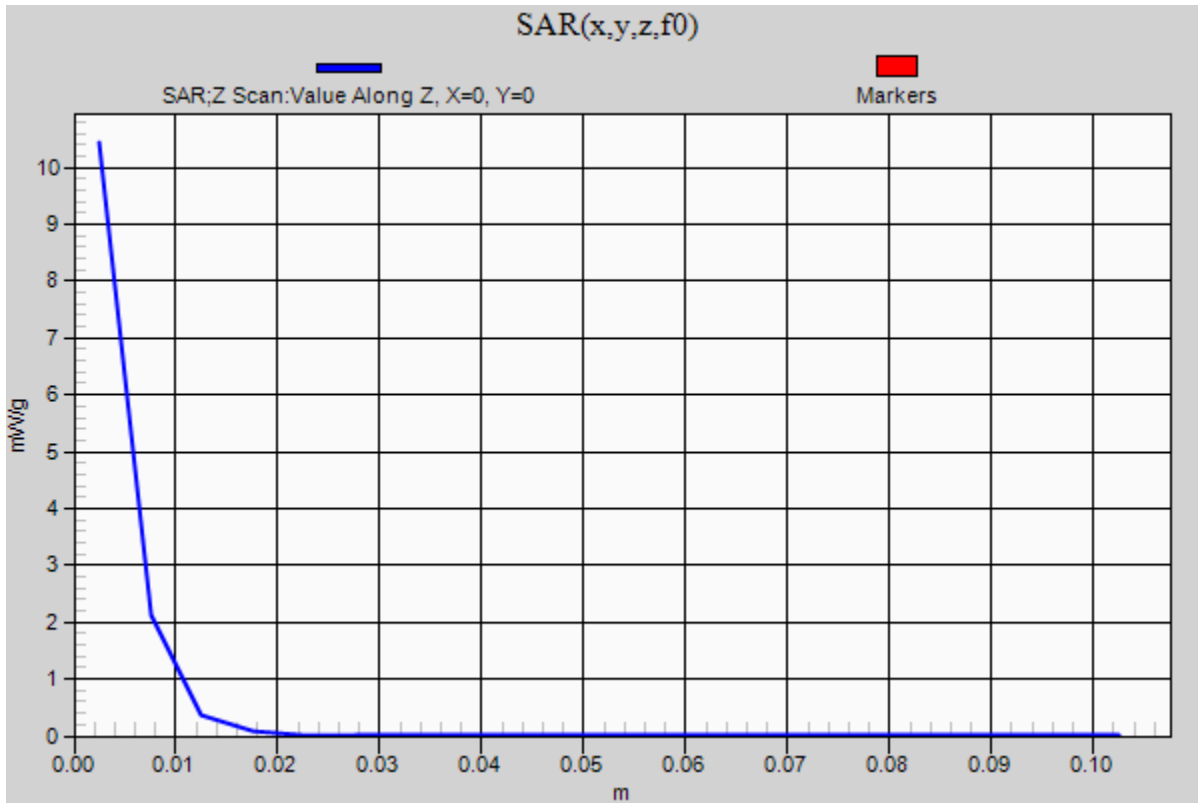


0 dB = 16.790mW/g = 24.50 dB mW/g

## 20121011\_SystemPerformanceCheck-D5GHzV2 SN 1075

Frequency: 5800 MHz; Duty Cycle: 1:1

**Body/5.8 GHz, Pin=100mW/Z Scan (1x1x21):** Measurement grid: dx=20mm, dy=20mm, dz=5mm  
Maximum value of SAR (measured) = 10.433 mW/g



## 20121012\_SystemPerformanceCheck-D2450V2 SN 748

Frequency: 2450 MHz; Duty Cycle: 1:1; Room Ambient Temperature: 24.0°C; Liquid Temperature: 23.0°C

Medium parameters used:  $f = 2450$  MHz;  $\sigma = 1.97$  mho/m;  $\epsilon_r = 52.164$ ;  $\rho = 1000$  kg/m<sup>3</sup>

DASY5 Configuration:

- Area Scan setting - Find Secondary Maximum Within: 2.0 dB and with a peak SAR value greater than 0.0012W/kg
- Electronics: DAE4 Sn1259; Calibrated: 2/13/2012
- Probe: EX3DV4 - SN3686; ConvF(6.7, 6.7, 6.7); Calibrated: 2/16/2012
- Sensor-Surface: 2.5mm (Mechanical Surface Detection (Locations From Previous Scan Used)), Sensor-Surface: 2.5mm (Mechanical Surface Detection)
- Phantom: ELI v5.0 (B); Type: QDOVA001BB; Serial: 1118

**Body/Pin=100 mW/Area Scan (7x7x1):** Measurement grid: dx=15mm, dy=15mm

Maximum value of SAR (measured) = 5.075 mW/g

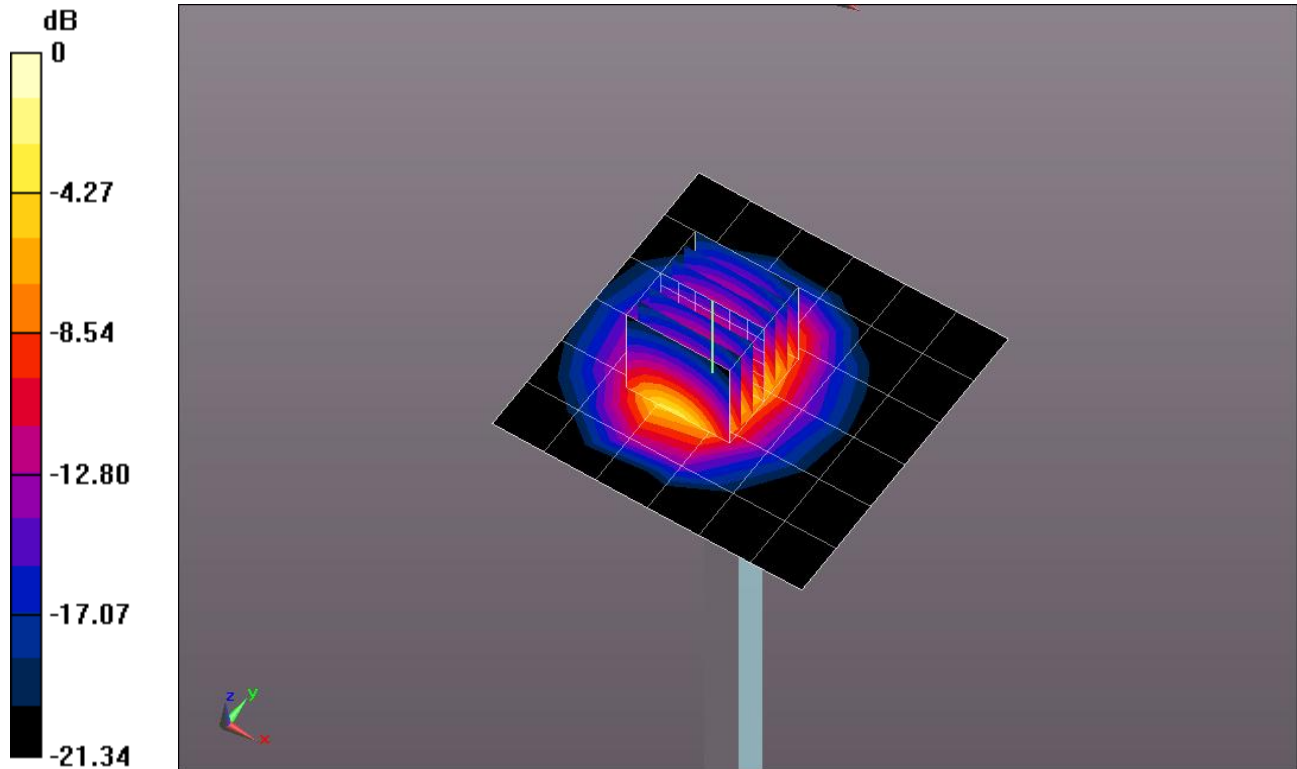
**Body/Pin=100 mW/Zoom Scan (7x7x7)/Cube 0:** Measurement grid: dx=5mm, dy=5mm, dz=5mm

Reference Value = 56.024 V/m; Power Drift = 0.16 dB

Peak SAR (extrapolated) = 10.4400

**SAR(1 g) = 5.16 mW/g; SAR(10 g) = 2.42 mW/g**

Maximum value of SAR (measured) = 7.245 mW/g

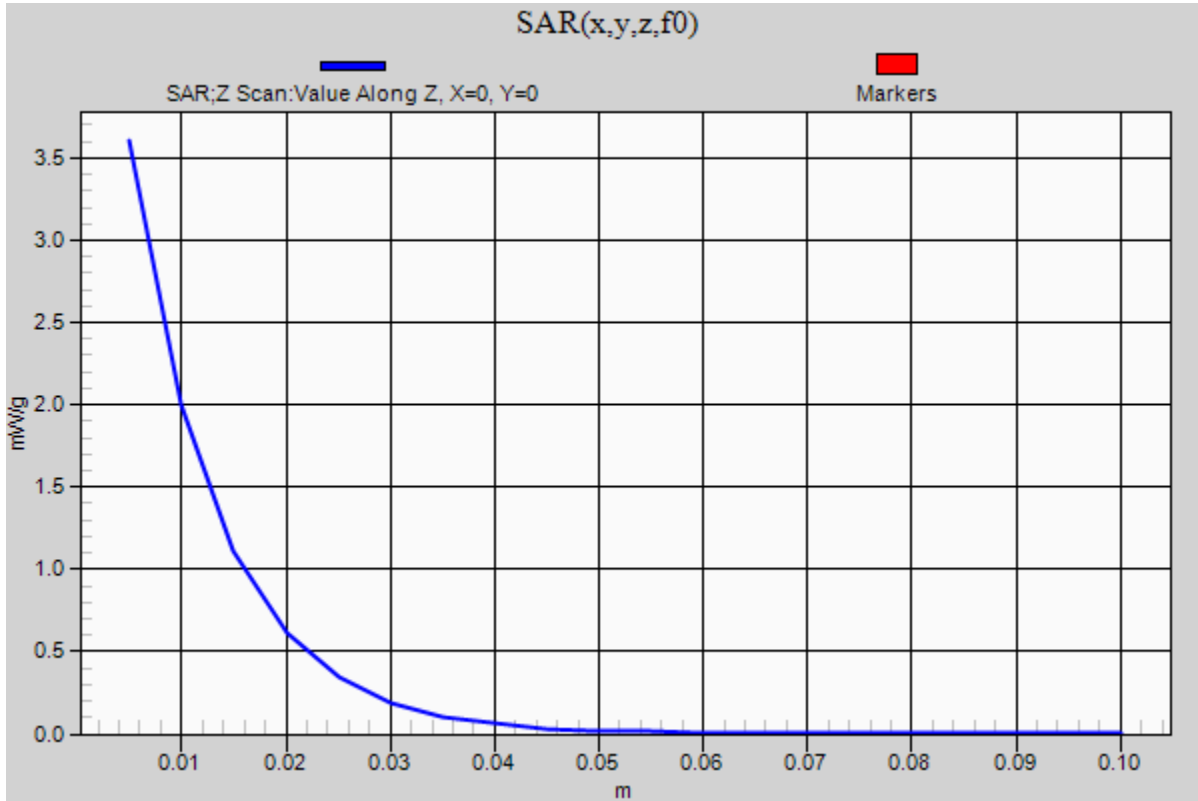


0 dB = 7.240mW/g = 17.19 dB mW/g

## 20121012\_SystemPerformanceCheck-D2450V2 SN 748

Frequency: 2450 MHz; Duty Cycle: 1:1

**Body/Pin=100 mW/Z Scan (1x1x21):** Measurement grid: dx=20mm, dy=20mm, dz=5mm  
Maximum value of SAR (measured) = 3.604 mW/g



## 20121015\_SystemPerformanceCheck-D2450V2 SN 748

Frequency: 2450 MHz; Duty Cycle: 1:1; Room Ambient Temperature: 24.0°C; Liquid Temperature: 23.0°C

Medium parameters used:  $f = 2450$  MHz;  $\sigma = 1.967$  mho/m;  $\epsilon_r = 51.525$ ;  $\rho = 1000$  kg/m<sup>3</sup>

DASY5 Configuration:

- Area Scan setting - Find Secondary Maximum Within: 2.0 dB and with a peak SAR value greater than 0.0012W/kg
- Electronics: DAE4 Sn1259; Calibrated: 2/13/2012
- Probe: EX3DV4 - SN3686; ConvF(6.7, 6.7, 6.7); Calibrated: 2/16/2012
- Sensor-Surface: 2.5mm (Mechanical Surface Detection)
- Phantom: ELI v5.0 (B); Type: QDOVA001BB; Serial: 1118

**Body/Pin=100 mW/Area Scan (7x7x1):** Measurement grid: dx=15mm, dy=15mm

Maximum value of SAR (measured) = 5.804 mW/g

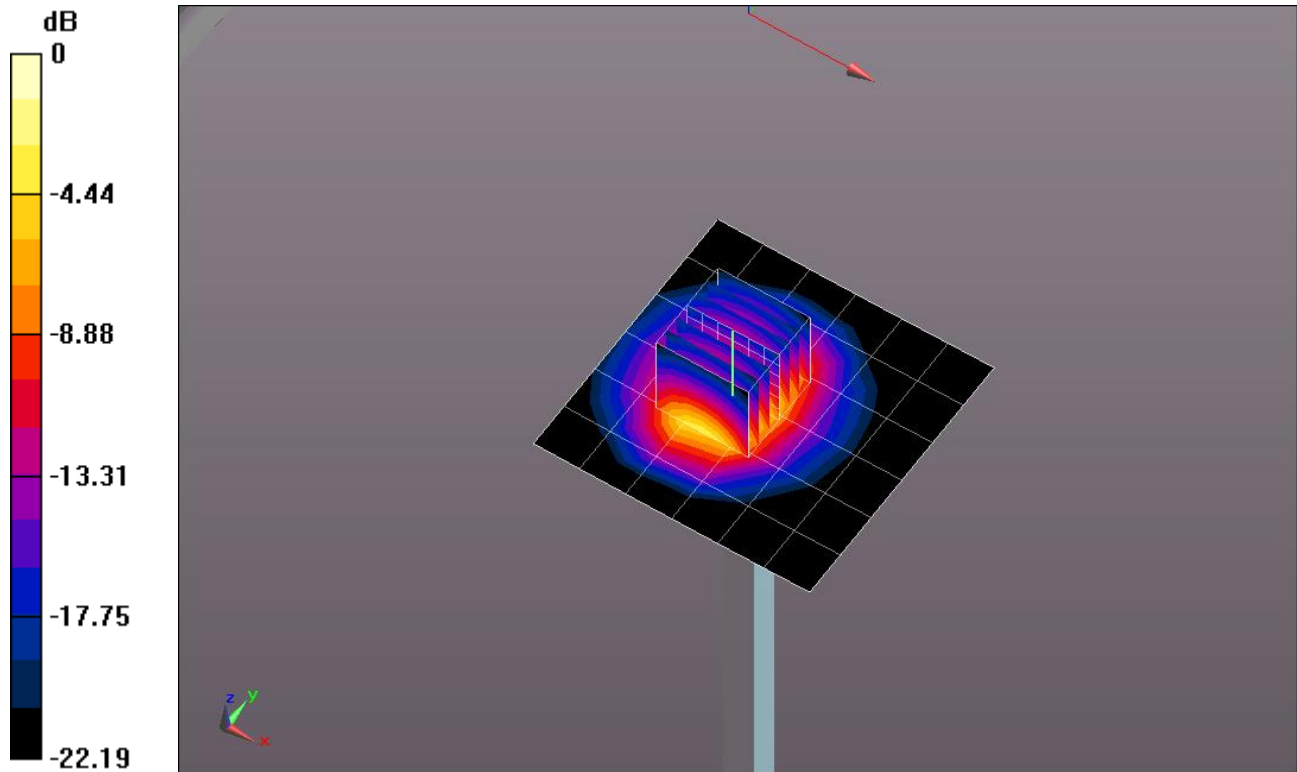
**Body/Pin=100 mW/Zoom Scan (7x7x7)/Cube 0:** Measurement grid: dx=5mm, dy=5mm, dz=5mm

Reference Value = 55.257 V/m; Power Drift = 0.13 dB

Peak SAR (extrapolated) = 10.8640

**SAR(1 g) = 5.19 mW/g; SAR(10 g) = 2.38 mW/g**

Maximum value of SAR (measured) = 7.383 mW/g

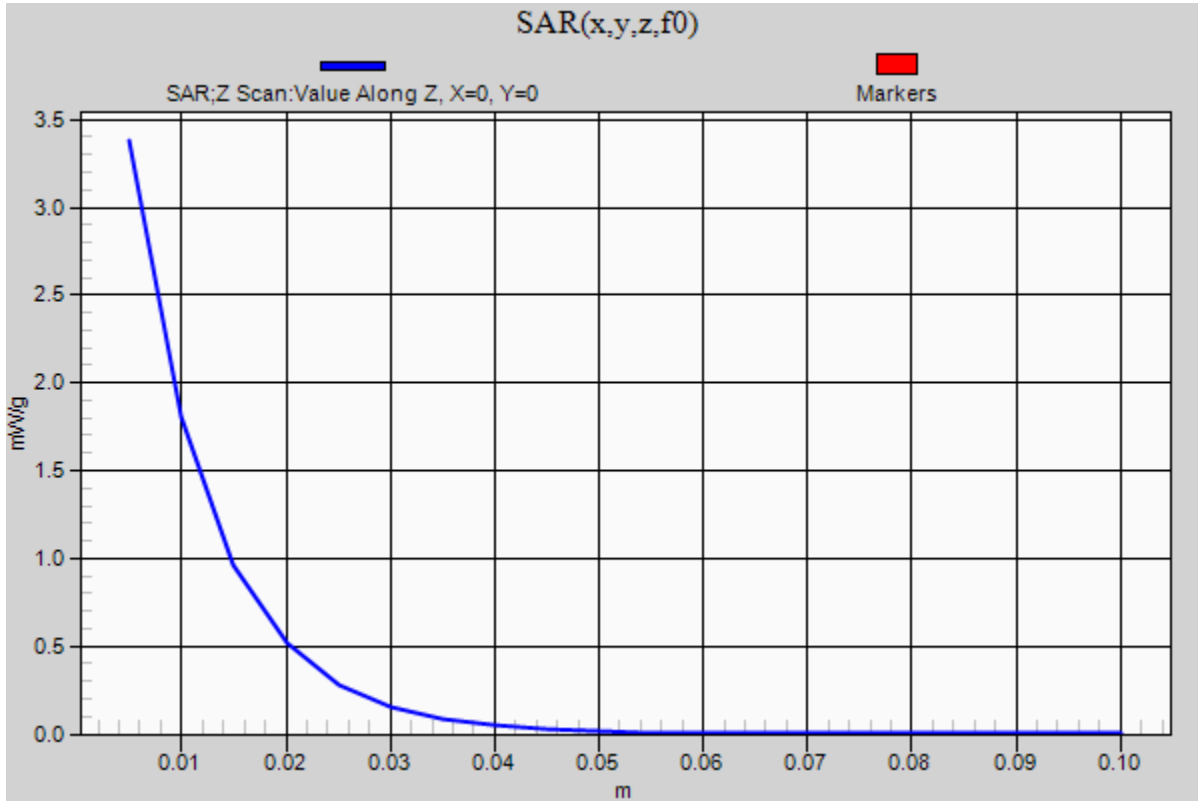


0 dB = 7.380mW/g = 17.36 dB mW/g

## 20121015\_SystemPerformanceCheck-D2450V2 SN 748

Frequency: 2450 MHz; Duty Cycle: 1:1

**Body/Pin=100 mW/Z Scan (1x1x21):** Measurement grid: dx=20mm, dy=20mm, dz=5mm  
Maximum value of SAR (measured) = 3.379 mW/g



## 20121016\_SystemPerformanceCheck-D2450V2 SN 748

Frequency: 2450 MHz; Duty Cycle: 1:1; Room Ambient Temperature: 24.0°C; Liquid Temperature: 23.0°C

Medium parameters used:  $f = 2450$  MHz;  $\sigma = 2.002$  mho/m;  $\epsilon_r = 52.518$ ;  $\rho = 1000$  kg/m<sup>3</sup>

DASY5 Configuration:

- Area Scan setting - Find Secondary Maximum Within: 2.0 dB and with a peak SAR value greater than 0.0012W/kg
- Electronics: DAE4 Sn1259; Calibrated: 2/13/2012
- Probe: EX3DV4 - SN3686; ConvF(6.7, 6.7, 6.7); Calibrated: 2/16/2012
- Sensor-Surface: 2.5mm (Mechanical Surface Detection (Locations From Previous Scan Used)), Sensor-Surface: 2.5mm (Mechanical Surface Detection)
- Phantom: ELI v5.0 (B); Type: QDOVA001BB; Serial: 1118

**Body/Pin=100 mW/Area Scan (7x7x1):** Measurement grid: dx=15mm, dy=15mm

Maximum value of SAR (measured) = 4.901 mW/g

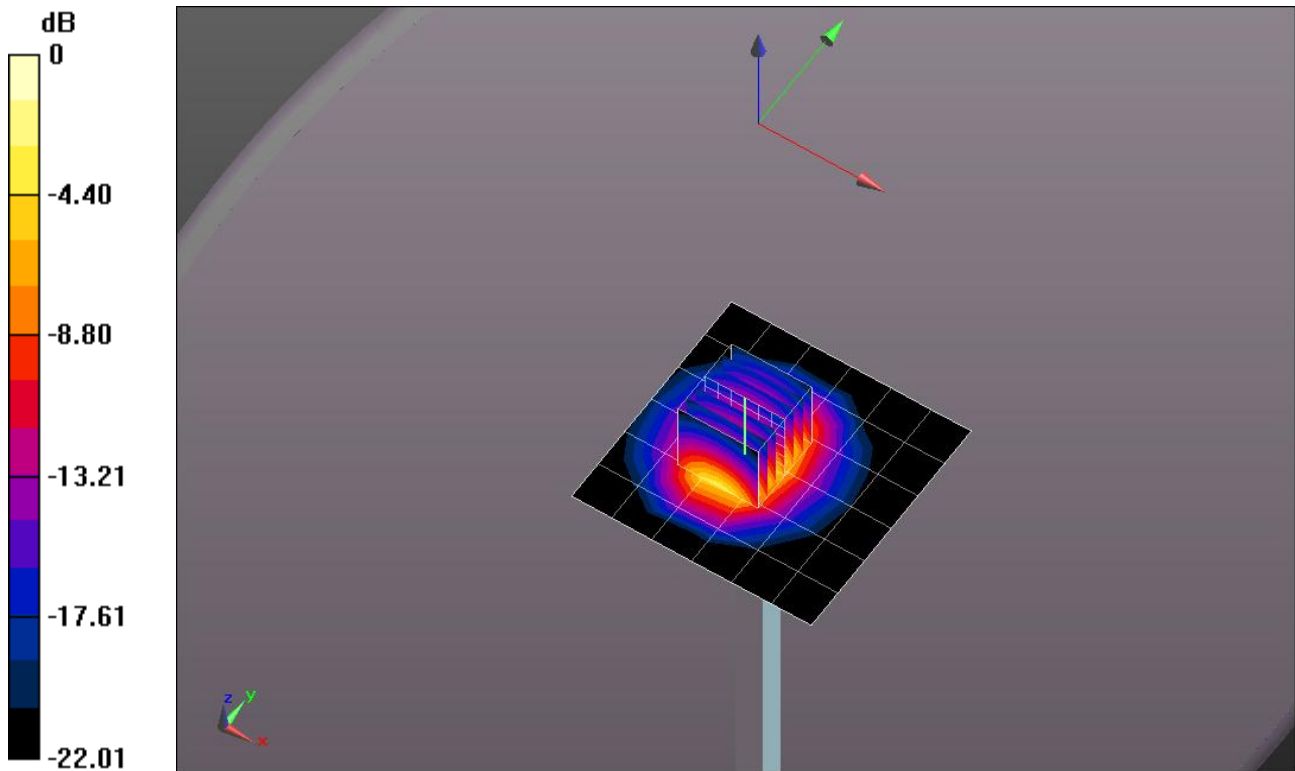
**Body/Pin=100 mW/Zoom Scan (7x7x7)/Cube 0:** Measurement grid: dx=5mm, dy=5mm, dz=5mm

Reference Value = 56.732 V/m; Power Drift = 0.17 dB

Peak SAR (extrapolated) = 10.7460

**SAR(1 g) = 5.15 mW/g; SAR(10 g) = 2.37 mW/g**

Maximum value of SAR (measured) = 7.364 mW/g



0 dB = 7.360mW/g = 17.34 dB mW/g

## 20121016\_SystemPerformanceCheck-D2450V2 SN 748

Frequency: 2450 MHz; Duty Cycle: 1:1

**Body/Pin=100 mW/Z Scan (1x1x21):** Measurement grid: dx=20mm, dy=20mm, dz=5mm  
Maximum value of SAR (measured) = 3.547 mW/g

