

20120615_SystemPerformanceCheck-D2450V2 SN 748

Frequency: 2450 MHz; Duty Cycle: 1:1; Room Ambient Temperature: 24.0°C; Liquid Temperature: 23.0°C

Medium parameters used: $f = 2450$ MHz; $\sigma = 1.97$ mho/m; $\epsilon_r = 52.164$; $\rho = 1000$ kg/m³

DASY5 Configuration:

- Area Scan setting - Find Secondary Maximum Within: 2.0 dB and with a peak SAR value greater than 0.0012W/kg
- Electronics: DAE4 Sn1258; Calibrated: 3/8/2012
- Probe: EX3DV4 - SN3772; ConvF(6.65, 6.65, 6.65); Calibrated: 2/16/2012
- Sensor-Surface: 2.5mm (Mechanical Surface Detection)
- Phantom: ELI v5.0 (A); Type: QDOVA001BB; Serial: 1120

Body/Pin=100 mW/Area Scan (7x7x1): Measurement grid: dx=15mm, dy=15mm

Maximum value of SAR (measured) = 5.256 mW/g

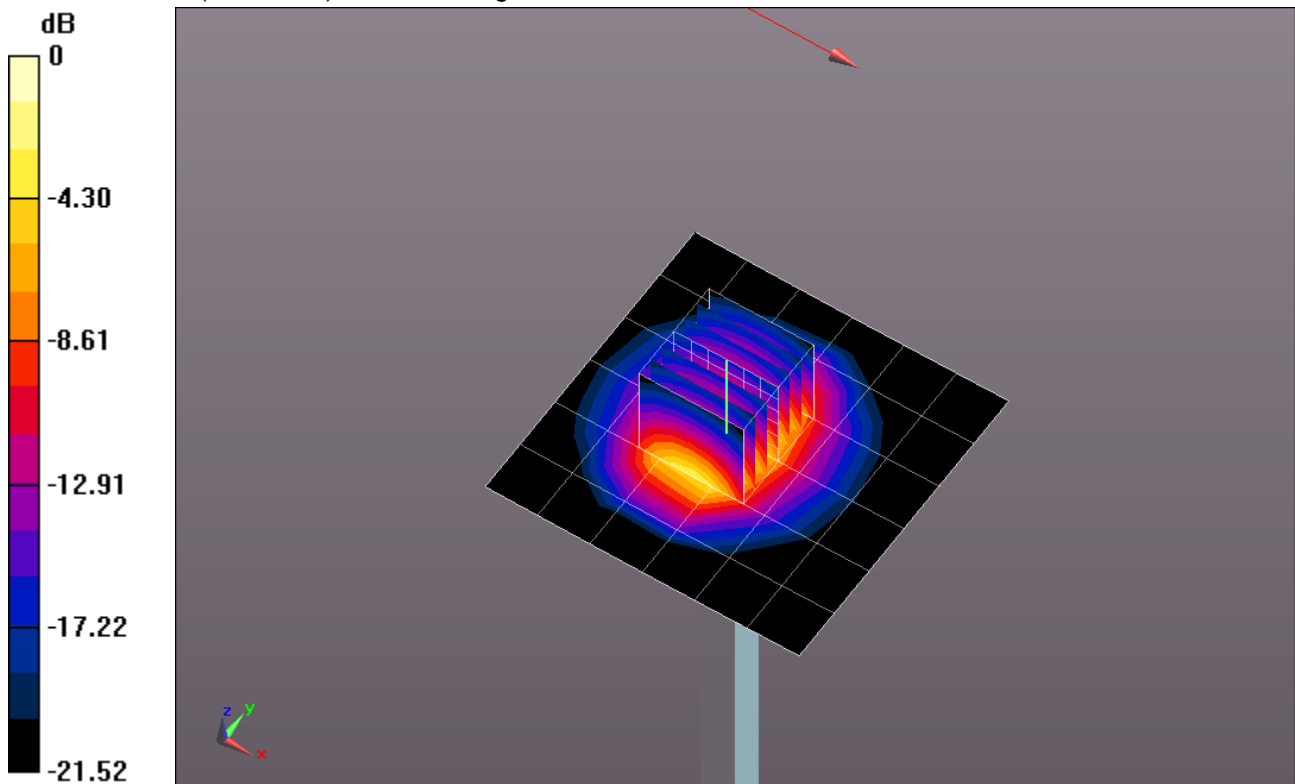
Body/Pin=100 mW/Zoom Scan (7x7x7)/Cube 0: Measurement grid: dx=5mm, dy=5mm, dz=5mm

Reference Value = 60.059 V/m; Power Drift = 0.03 dB

Peak SAR (extrapolated) = 10.4180

SAR(1 g) = 5.03 mW/g; SAR(10 g) = 2.34 mW/g

Maximum value of SAR (measured) = 7.165 mW/g

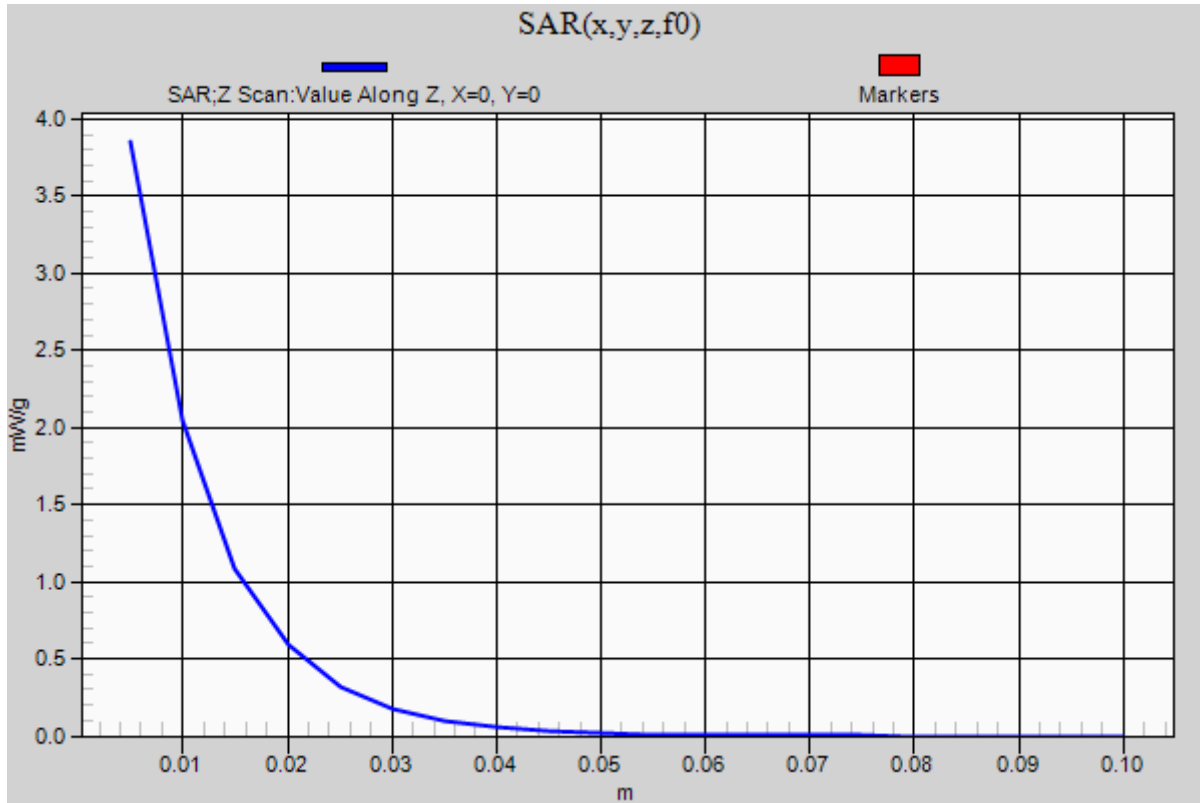


0 dB = 7.170mW/g = 17.11 dB mW/g

20120615_SystemPerformanceCheck-D2450V2 SN 748

Frequency: 2450 MHz; Duty Cycle: 1:1

Body/Pin=100 mW/Z Scan (1x1x21): Measurement grid: dx=20mm, dy=20mm, dz=5mm
Maximum value of SAR (measured) = 3.852 mW/g



20120617_SystemPerformanceCheck-D5GHzV2 SN 1075

Frequency: 5200 MHz; Duty Cycle: 1:1; Room Ambient Temperature: 25.0°C; Liquid Temperature: 24.0°C
 Medium parameters used: $f = 5200$ MHz; $\sigma = 5.33$ mho/m; $\epsilon_r = 50.488$; $\rho = 1000$ kg/m³

DASY5 Configuration:

- Electronics: DAE4 Sn1258; Calibrated: 3/8/2012
- Probe: EX3DV4 - SN3772; ConvF(4.17, 4.17, 4.17); Calibrated: 2/16/2012
- Sensor-Surface: 2.5mm (Mechanical Surface Detection)
- Phantom: ELI v5.0 (B); Type: QDOVA001BB; Serial: 1099

Body/5.2 GHz, Pin=100mW/Area Scan (7x7x1): Measurement grid: dx=10mm, dy=10mm

Maximum value of SAR (measured) = 13.104 mW/g

Body/5.2 GHz, Pin=100mW/Zoom Scan (8x8x10)/Cube 0: Measurement grid: dx=4mm, dy=4mm,

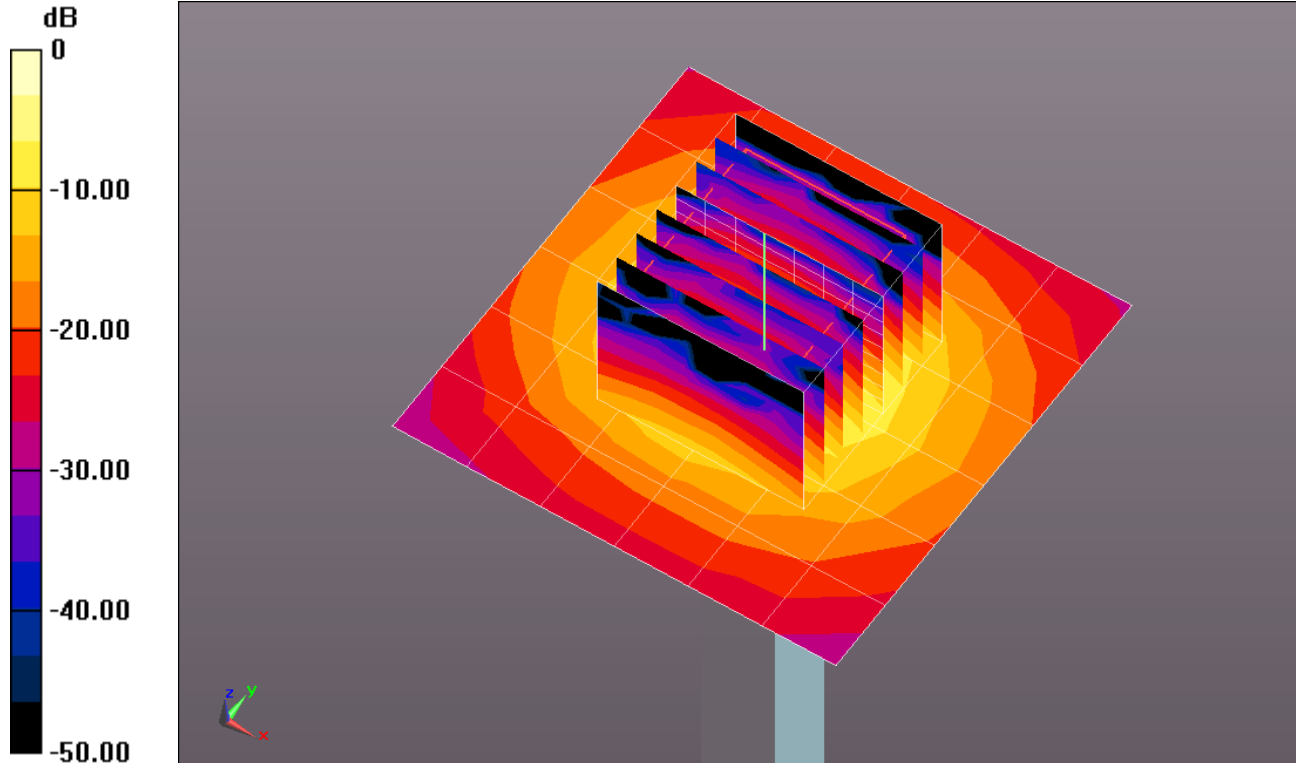
dz=2.5mm

Reference Value = 53.447 V/m; Power Drift = 0.06 dB

Peak SAR (extrapolated) = 25.8210

SAR(1 g) = 7.38 mW/g; SAR(10 g) = 2.09 mW/g

Maximum value of SAR (measured) = 13.393 mW/g

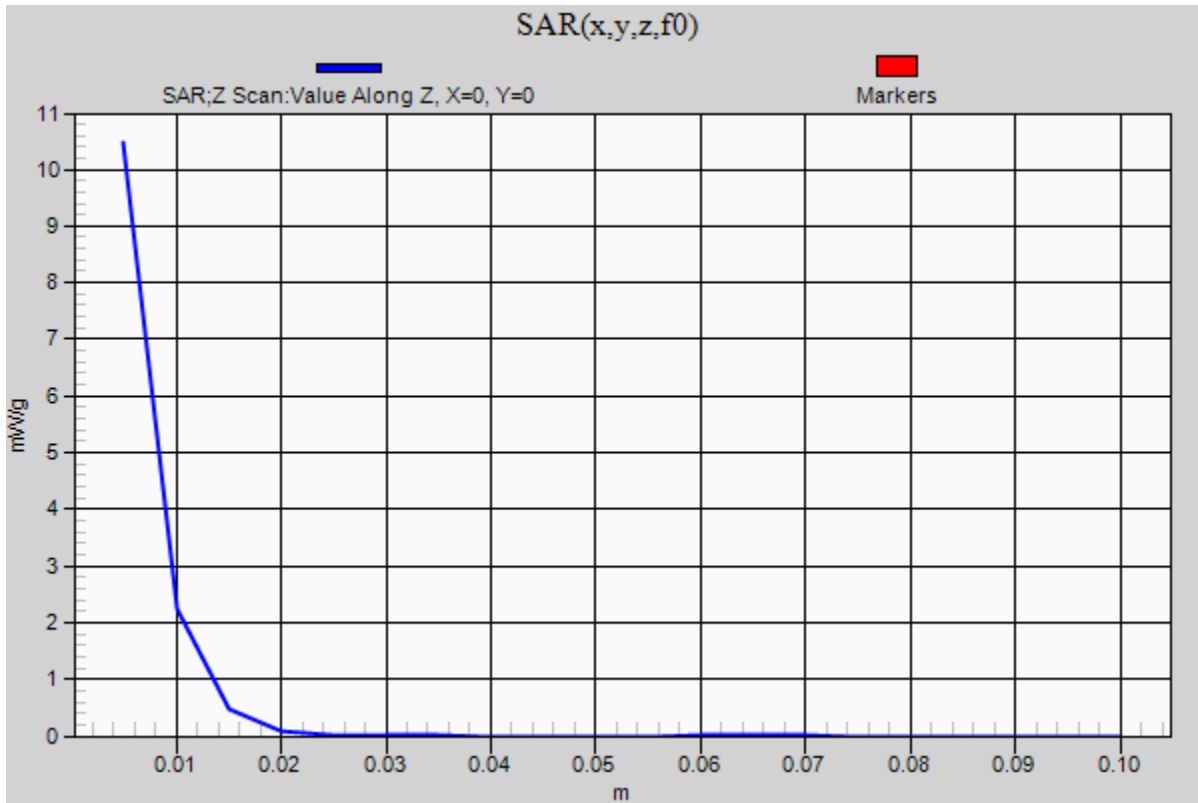


0 dB = 13.390mW/g = 22.54 dB mW/g

20120617_SystemPerformanceCheck-D5GHzV2 SN 1075

Frequency: 5200 MHz; Duty Cycle: 1:1

Body/5.2 GHz, Pin=100mW/Z Scan (1x1x21): Measurement grid: dx=20mm, dy=20mm, dz=5mm
Maximum value of SAR (measured) = 10.467 mW/g



20120617_SystemPerformanceCheck-D5GHzV2 SN 1075

Frequency: 5500 MHz; Duty Cycle: 1:1; Room Ambient Temperature: 25.0°C; Liquid Temperature: 24.0°C
 Medium parameters used: $f = 5500$ MHz; $\sigma = 5.704$ mho/m; $\epsilon_r = 49.98$; $\rho = 1000$ kg/m³

DASY5 Configuration:

- Electronics: DAE4 Sn1258; Calibrated: 3/8/2012
- Probe: EX3DV4 - SN3772; ConvF(3.49, 3.49, 3.49); Calibrated: 2/16/2012
- Sensor-Surface: 2.5mm (Mechanical Surface Detection (Locations From Previous Scan Used)), Sensor-Surface: 2.5mm (Mechanical Surface Detection)
- Phantom: ELI v5.0 (B); Type: QDOVA001BB; Serial: 1099

Body/5.5 GHz, Pin=100mW/Area Scan (7x7x1): Measurement grid: dx=10mm, dy=10mm

Maximum value of SAR (measured) = 14.457 mW/g

Body/5.5 GHz, Pin=100mW/Zoom Scan (8x8x10)/Cube 0: Measurement grid: dx=4mm, dy=4mm,

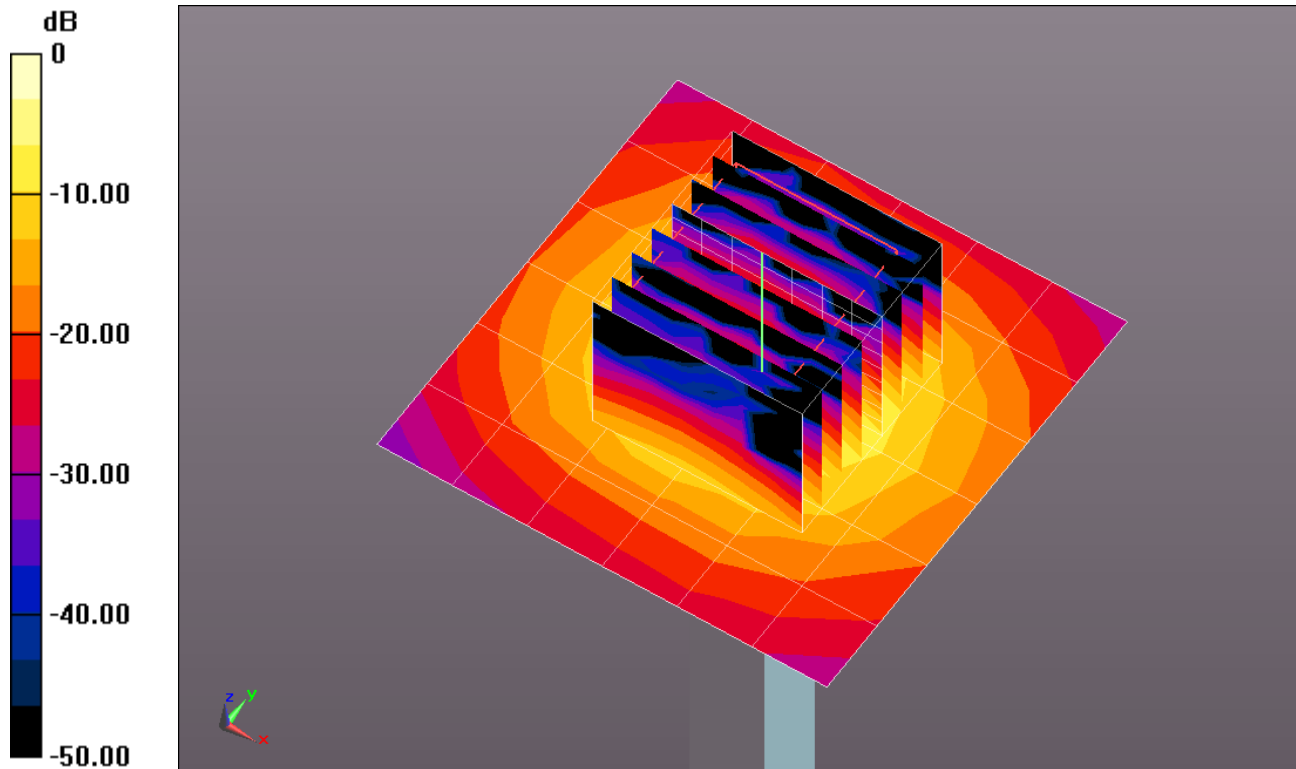
dz=2.5mm

Reference Value = 55.034 V/m; Power Drift = -0.0047 dB

Peak SAR (extrapolated) = 28.0210

SAR(1 g) = 7.95 mW/g; SAR(10 g) = 2.23 mW/g

Maximum value of SAR (measured) = 14.865 mW/g

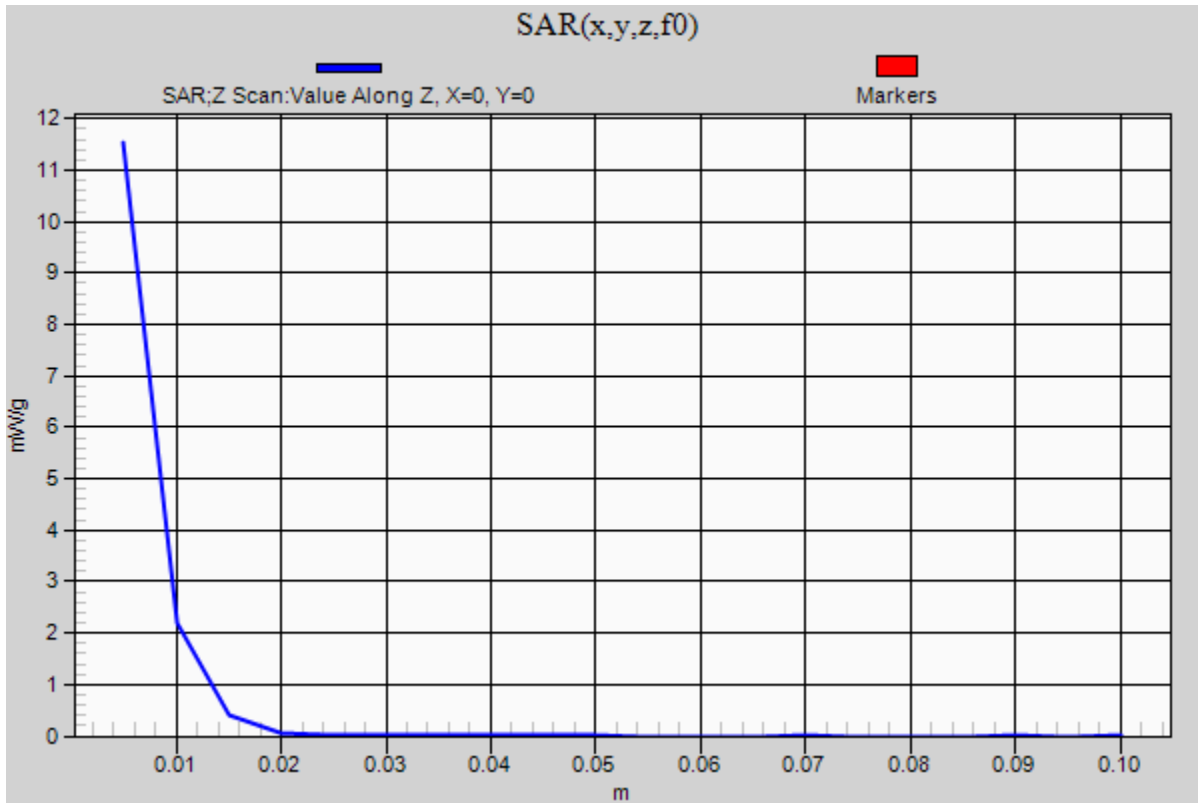


0 dB = 14.870mW/g = 23.45 dB mW/g

20120617_SystemPerformanceCheck-D5GHzV2 SN 1075

Frequency: 5500 MHz; Duty Cycle: 1:1

Body/5.5 GHz, Pin=100mW/Z Scan (1x1x21): Measurement grid: dx=20mm, dy=20mm, dz=5mm
Maximum value of SAR (measured) = 11.531 mW/g



20120617_SystemPerformanceCheck-D5GHzV2 SN 1075

Frequency: 5800 MHz; Duty Cycle: 1:1; Room Ambient Temperature: 25.0°C; Liquid Temperature: 24.0°C
 Medium parameters used: $f = 5800$ MHz; $\sigma = 6.083$ mho/m; $\epsilon_r = 49.422$; $\rho = 1000$ kg/m³

DASY5 Configuration:

- Electronics: DAE4 Sn1258; Calibrated: 3/8/2012
- Probe: EX3DV4 - SN3772; ConvF(3.58, 3.58, 3.58); Calibrated: 2/16/2012
- Sensor-Surface: 2.5mm (Mechanical Surface Detection (Locations From Previous Scan Used)), Sensor-Surface: 2.5mm (Mechanical Surface Detection)
- Phantom: ELI v5.0 (B); Type: QDOVA001BB; Serial: 1099

Body/5.8 GHz, Pin=100mW/Area Scan (7x7x1): Measurement grid: dx=10mm, dy=10mm

Maximum value of SAR (measured) = 12.902 mW/g

Body/5.8 GHz, Pin=100mW/Zoom Scan (8x8x10)/Cube 0: Measurement grid: dx=4mm, dy=4mm,

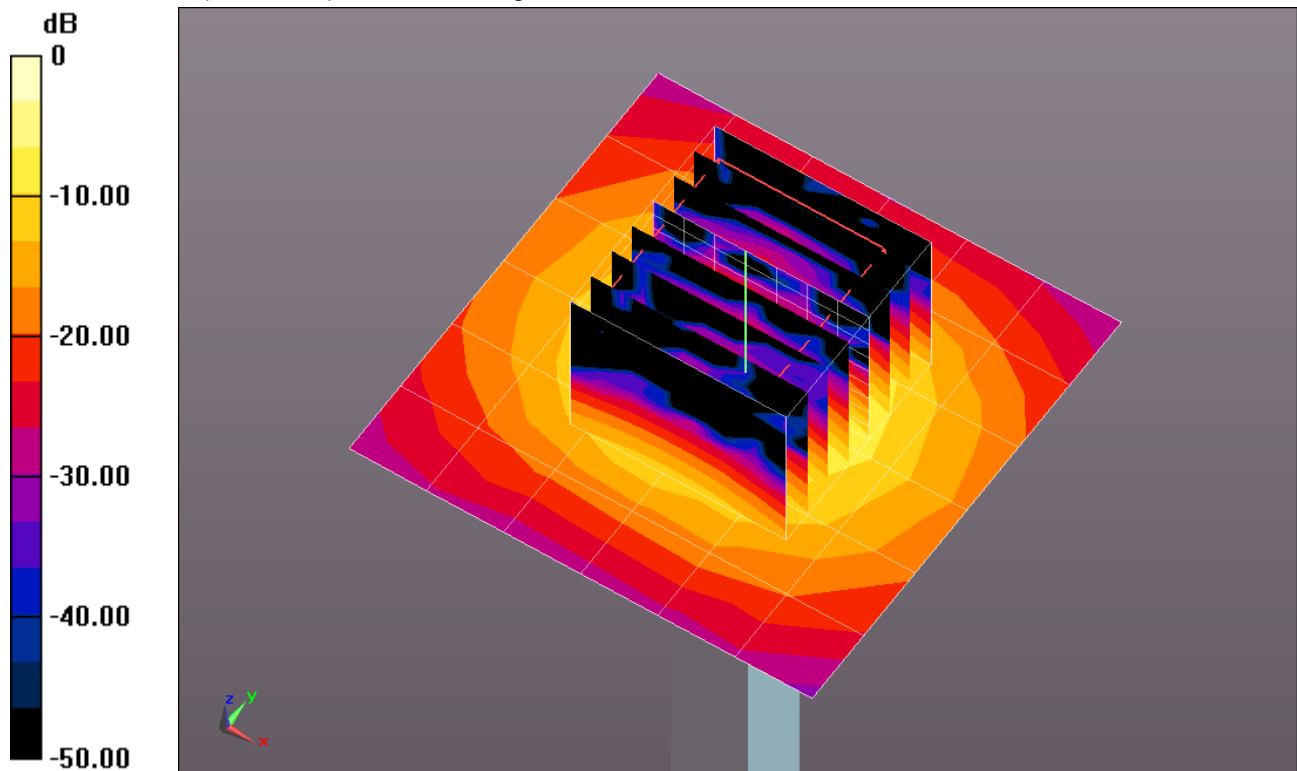
dz=2.5mm

Reference Value = 50.183 V/m; Power Drift = 0.07 dB

Peak SAR (extrapolated) = 26.6600

SAR(1 g) = 7.13 mW/g; SAR(10 g) = 2 mW/g

Maximum value of SAR (measured) = 13.337 mW/g

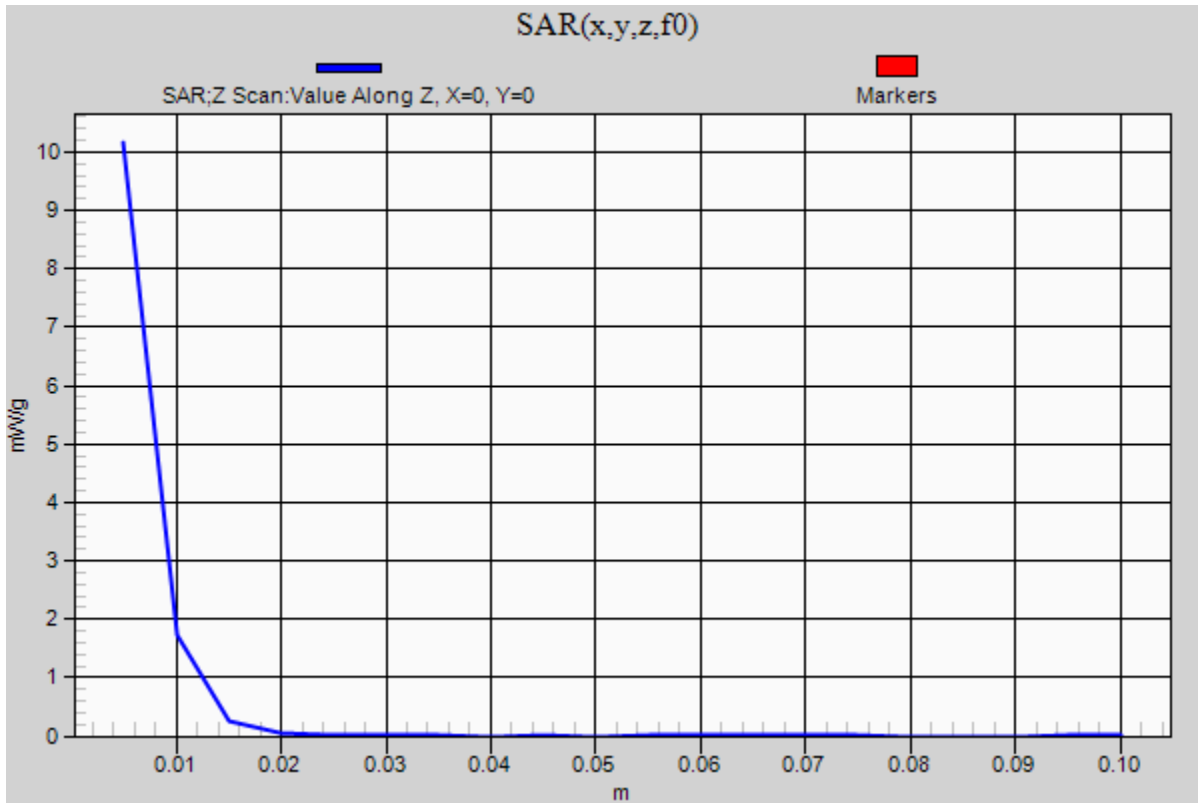


0 dB = 13.340mW/g = 22.50 dB mW/g

20120617_SystemPerformanceCheck-D5GHzV2 SN 1075

Frequency: 5800 MHz; Duty Cycle: 1:1

Body/5.8 GHz, Pin=100mW/Z Scan (1x1x21): Measurement grid: dx=20mm, dy=20mm, dz=5mm
Maximum value of SAR (measured) = 10.158 mW/g



20120618_SystemPerformanceCheck-D5GHzV2 SN 1075

Frequency: 5200 MHz; Duty Cycle: 1:1; Room Ambient Temperature: 25.0°C; Liquid Temperature: 24.0°C
 Medium parameters used: $f = 5200 \text{ MHz}$; $\sigma = 5.197 \text{ mho/m}$; $\epsilon_r = 50.643$; $\rho = 1000 \text{ kg/m}^3$

DASY5 Configuration:

- Area Scan setting - Find Secondary Maximum Within: 2.0 dB and with a peak SAR value greater than 0.0012W/kg
- Electronics: DAE4 Sn1258; Calibrated: 3/8/2012
- Probe: EX3DV4 - SN3772; ConvF(4.17, 4.17, 4.17); Calibrated: 2/16/2012
- Sensor-Surface: 2.5mm (Mechanical Surface Detection)
- Phantom: ELI v5.0 (B); Type: QDOVA001BB; Serial: 1099

Body/5.2 GHz, Pin=100mW/Area Scan (7x7x1): Measurement grid: dx=10mm, dy=10mm

Maximum value of SAR (measured) = 12.297 mW/g

Body/5.2 GHz, Pin=100mW/Zoom Scan (8x8x10)/Cube 0: Measurement grid: dx=4mm, dy=4mm,

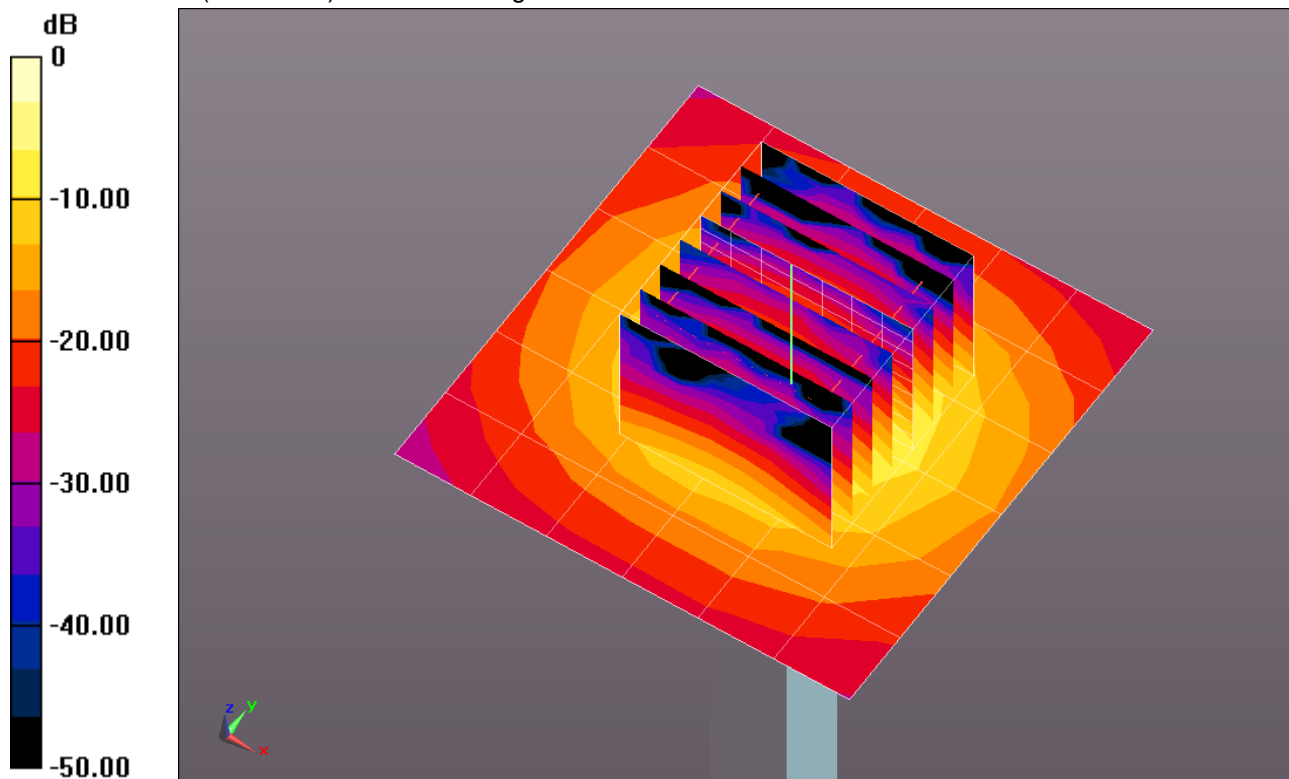
dz=2.5mm

Reference Value = 52.087 V/m; Power Drift = -0.17 dB

Peak SAR (extrapolated) = 25.6170

SAR(1 g) = 7.36 mW/g; SAR(10 g) = 2.09 mW/g

Maximum value of SAR (measured) = 13.109 mW/g

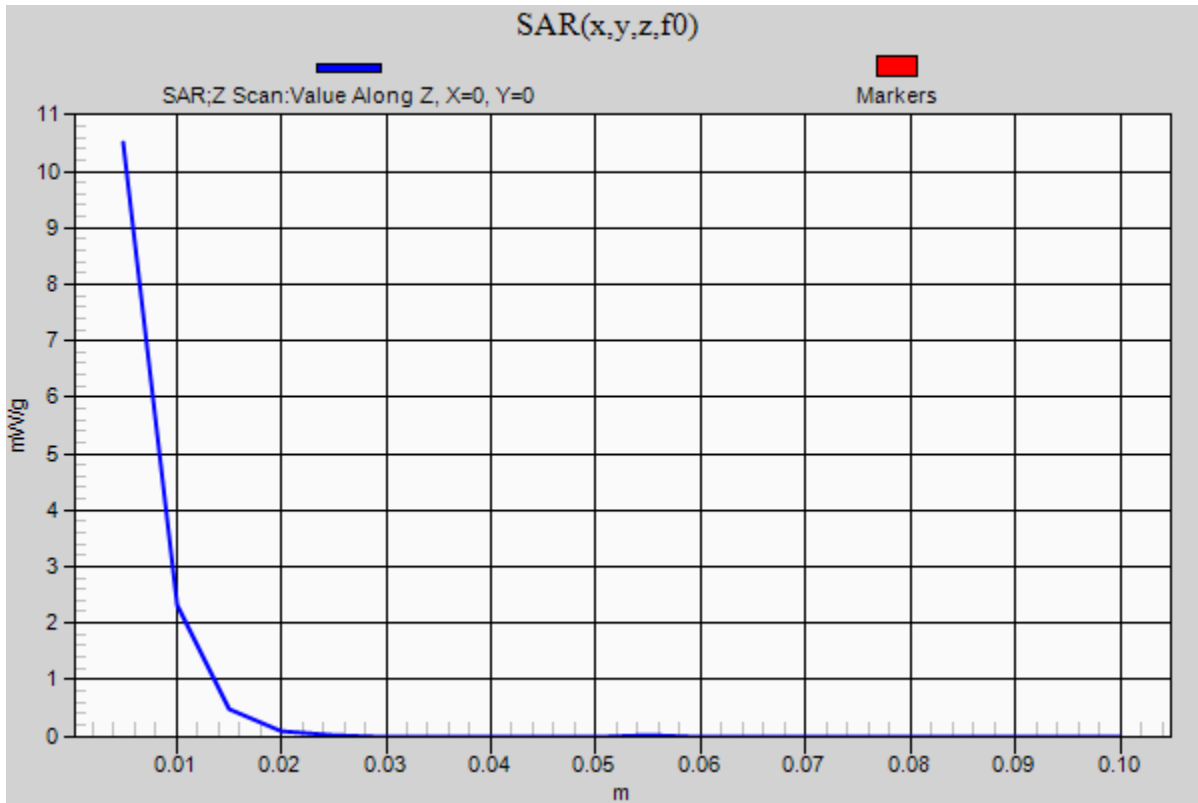


0 dB = 13.110mW/g = 22.35 dB mW/g

20120618_SystemPerformanceCheck-D5GHzV2 SN 1075

Frequency: 5200 MHz; Duty Cycle: 1:1

Body/5.2 GHz, Pin=100mW/Z Scan (1x1x21): Measurement grid: dx=20mm, dy=20mm, dz=5mm
Maximum value of SAR (measured) = 10.505 mW/g



20120619_SystemPerformanceCheck-D5GHzV2 SN 1075

Frequency: 5500 MHz; Duty Cycle: 1:1; Room Ambient Temperature: 25.0°C; Liquid Temperature: 24.0°C

Medium parameters used: $f = 5500$ MHz; $\sigma = 5.58$ mho/m; $\epsilon_r = 50.161$; $\rho = 1000$ kg/m³

DASY5 Configuration:

- Area Scan setting - Find Secondary Maximum Within: 2.0 dB and with a peak SAR value greater than 0.0012W/kg
- Electronics: DAE4 Sn1258; Calibrated: 3/8/2012
- Probe: EX3DV4 - SN3772; ConvF(3.49, 3.49, 3.49); Calibrated: 2/16/2012
- Sensor-Surface: 2.5mm (Mechanical Surface Detection)
- Phantom: ELI v5.0 (B); Type: QDOVA001BB; Serial: 1099

Body/5.5 GHz, Pin=100mW/Area Scan (7x7x1): Measurement grid: dx=10mm, dy=10mm

Maximum value of SAR (measured) = 14.185 mW/g

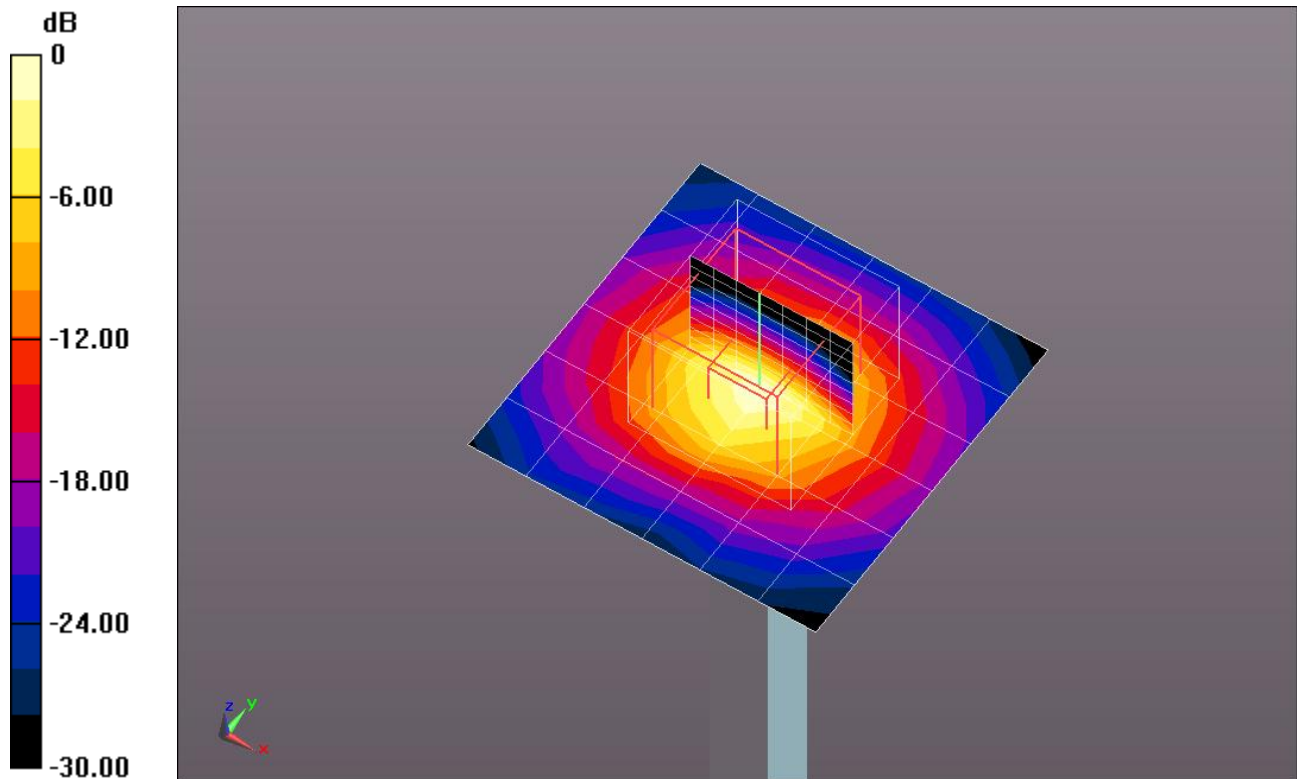
Body/5.5 GHz, Pin=100mW/Zoom Scan (8x8x10)/Cube 0: Measurement grid: dx=4mm, dy=4mm, dz=2.5mm

Reference Value = 55.970 V/m; Power Drift = -0.10 dB

Peak SAR (extrapolated) = 26.5680

SAR(1 g) = 7.67 mW/g; SAR(10 g) = 2.15 mW/g

Maximum value of SAR (measured) = 14.004 mW/g

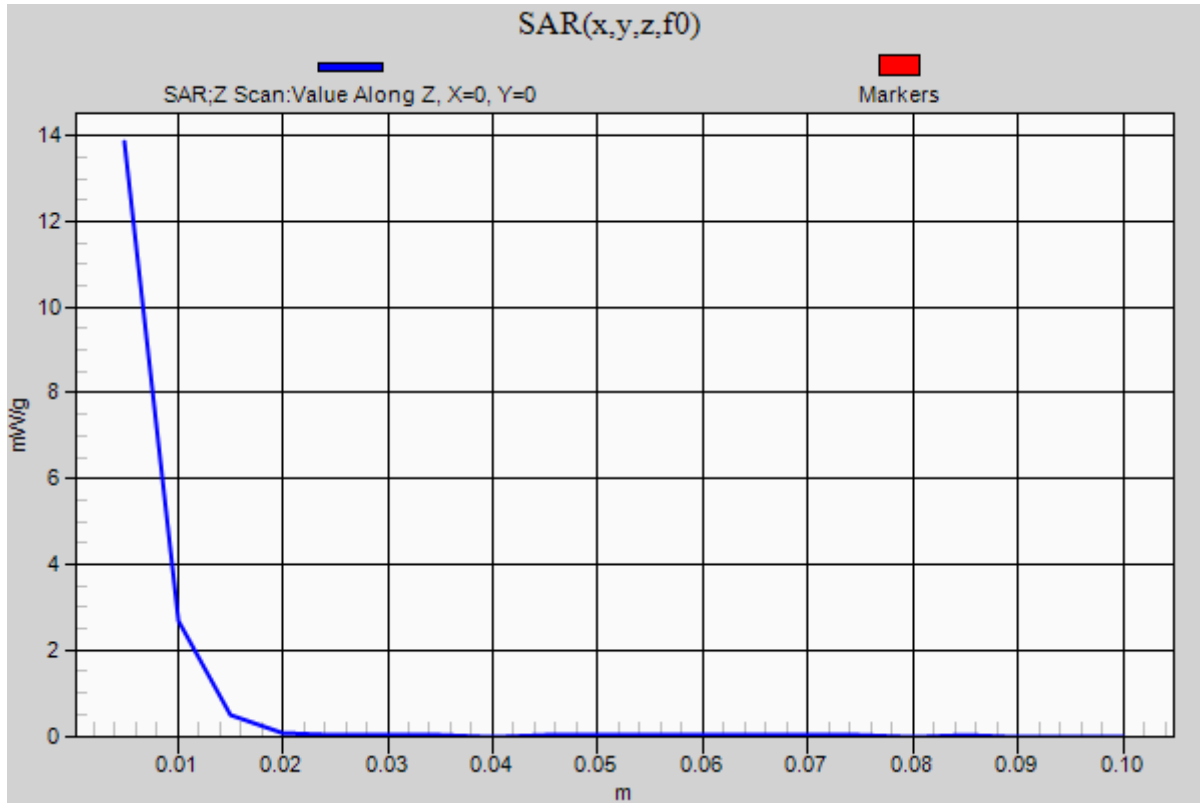


0 dB = 14.000mW/g = 22.92 dB mW/g

20120619_SystemPerformanceCheck-D5GHzV2 SN 1075

Frequency: 5500 MHz; Duty Cycle: 1:1

Body/5.5 GHz, Pin=100mW/Z Scan (1x1x21): Measurement grid: dx=20mm, dy=20mm, dz=5mm
Maximum value of SAR (measured) = 13.851 mW/g



20120619_SystemPerformanceCheck-D5GHzV2 SN 1075

Frequency: 5800 MHz; Duty Cycle: 1:1; Room Ambient Temperature: 25.0°C; Liquid Temperature: 24.0°C

Medium parameters used: $f = 5800$ MHz; $\sigma = 6.001$ mho/m; $\epsilon_r = 49.655$; $\rho = 1000$ kg/m³

DASY5 Configuration:

- Area Scan setting - Find Secondary Maximum Within: 2.0 dB and with a peak SAR value greater than 0.0012W/kg
- Electronics: DAE4 Sn1258; Calibrated: 3/8/2012
- Probe: EX3DV4 - SN3772; ConvF(3.58, 3.58, 3.58); Calibrated: 2/16/2012
- Sensor-Surface: 2.5mm (Mechanical Surface Detection)
- Phantom: ELI v5.0 (B); Type: QDOVA001BB; Serial: 1099

Body/5.8 GHz, Pin=100mW/Area Scan (7x7x1): Measurement grid: dx=10mm, dy=10mm

Maximum value of SAR (measured) = 12.822 mW/g

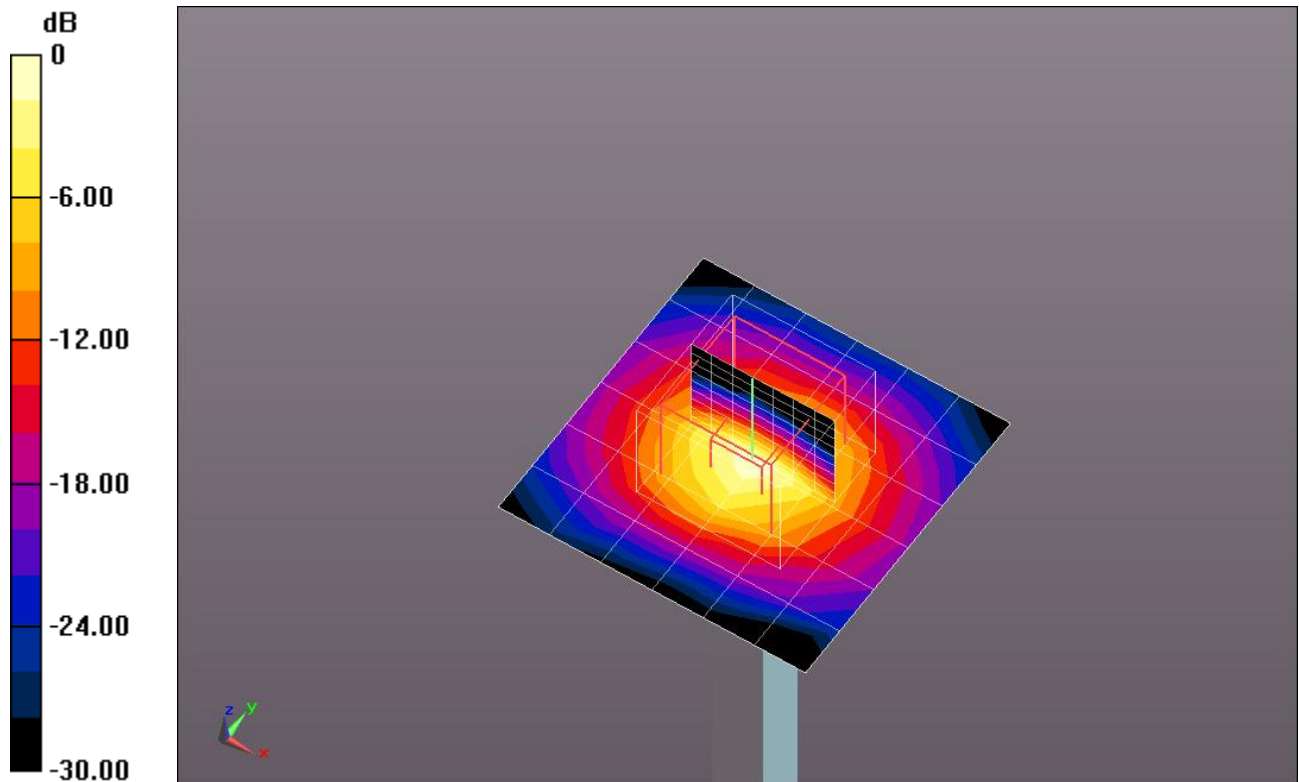
Body/5.8 GHz, Pin=100mW/Zoom Scan (8x8x10)/Cube 0: Measurement grid: dx=4mm, dy=4mm, dz=2.5mm

Reference Value = 50.566 V/m; Power Drift = 0.04 dB

Peak SAR (extrapolated) = 25.7470

SAR(1 g) = 6.99 mW/g; SAR(10 g) = 1.96 mW/g

Maximum value of SAR (measured) = 13.021 mW/g

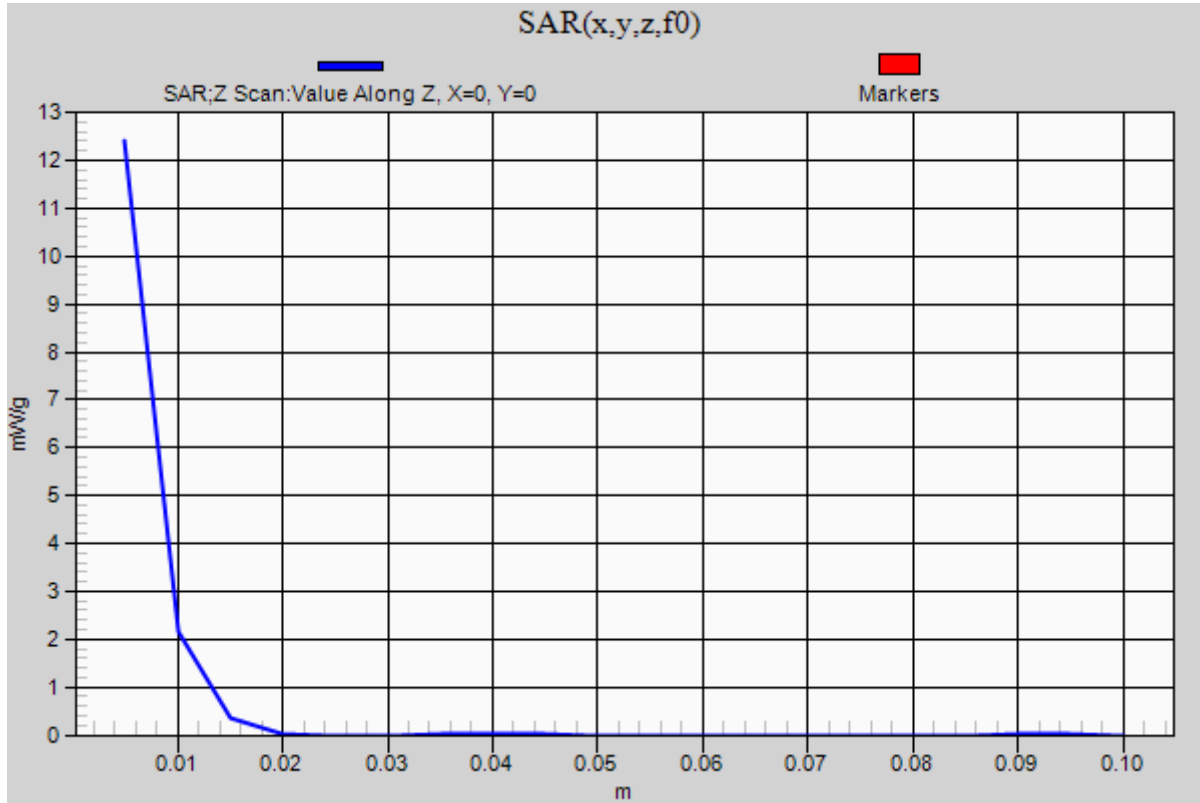


0 dB = 13.020mW/g = 22.29 dB mW/g

20120619_SystemPerformanceCheck-D5GHzV2 SN 1075

Frequency: 5800 MHz; Duty Cycle: 1:1

Body/5.8 GHz, Pin=100mW/Z Scan (1x1x21): Measurement grid: dx=20mm, dy=20mm, dz=5mm
Maximum value of SAR (measured) = 12.407 mW/g



20120620_SystemPerformanceCheck-D5GHzV2 SN 1075

Frequency: 5500 MHz; Duty Cycle: 1:1; Room Ambient Temperature: 25.0°C; Liquid Temperature: 24.0°C

Medium parameters used: $f = 5500$ MHz; $\sigma = 5.733$ mho/m; $\epsilon_r = 51.119$; $\rho = 1000$ kg/m³

DASY5 Configuration:

- Area Scan setting - Find Secondary Maximum Within: 2.0 dB and with a peak SAR value greater than 0.0012W/kg
- Electronics: DAE4 Sn1258; Calibrated: 3/8/2012
- Probe: EX3DV4 - SN3772; ConvF(3.49, 3.49, 3.49); Calibrated: 2/16/2012
- Sensor-Surface: 2.5mm (Mechanical Surface Detection)
- Phantom: ELI v5.0 (B); Type: QDOVA001BB; Serial: 1099

Body/5.5 GHz, Pin=100mW/Area Scan (7x7x1): Measurement grid: dx=10mm, dy=10mm

Maximum value of SAR (measured) = 13.194 mW/g

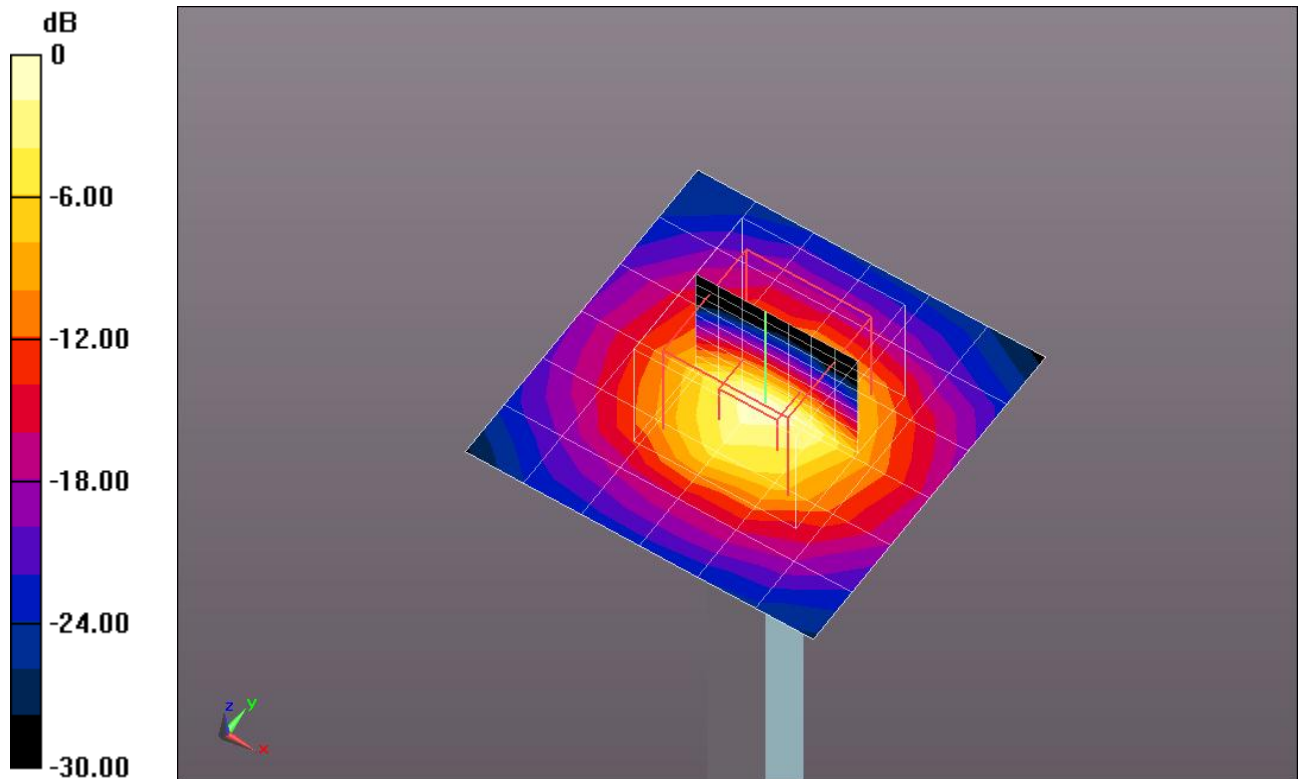
Body/5.5 GHz, Pin=100mW/Zoom Scan (8x8x10)/Cube 0: Measurement grid: dx=4mm, dy=4mm, dz=2.5mm

Reference Value = 52.437 V/m; Power Drift = -0.22 dB

Peak SAR (extrapolated) = 26.8200

SAR(1 g) = 7.65 mW/g; SAR(10 g) = 2.16 mW/g

Maximum value of SAR (measured) = 13.517 mW/g

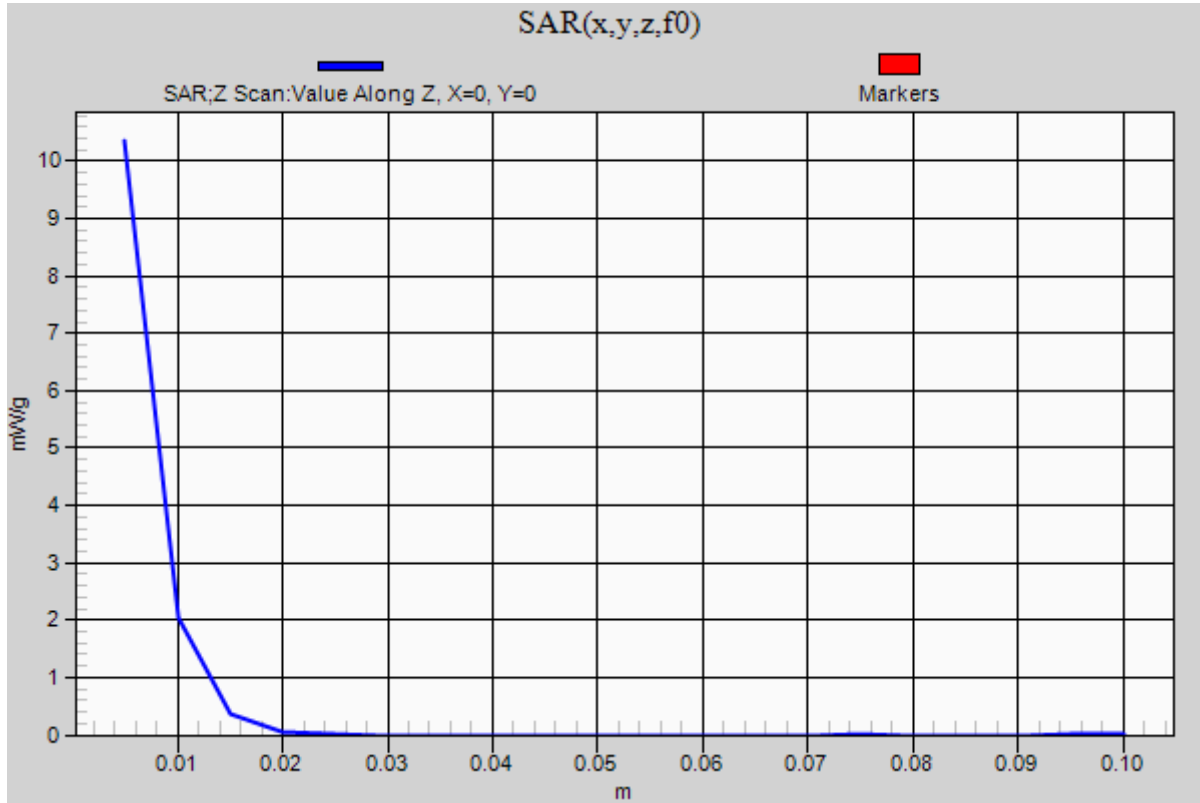


0 dB = 13.520mW/g = 22.62 dB mW/g

20120620_SystemPerformanceCheck-D5GHzV2 SN 1075

Frequency: 5500 MHz; Duty Cycle: 1:1

Body/5.5 GHz, Pin=100mW/Z Scan (1x1x21): Measurement grid: dx=20mm, dy=20mm, dz=5mm
Maximum value of SAR (measured) = 10.353 mW/g



20120620_SystemPerformanceCheck-D5GHzV2 SN 1075

Frequency: 5800 MHz; Duty Cycle: 1:1; Room Ambient Temperature: 25.0°C; Liquid Temperature: 24.0°C

Medium parameters used: $f = 5800$ MHz; $\sigma = 6.144$ mho/m; $\epsilon_r = 50.598$; $\rho = 1000$ kg/m³

DASY5 Configuration:

- Area Scan setting - Find Secondary Maximum Within: 2.0 dB and with a peak SAR value greater than 0.0012W/kg
- Electronics: DAE4 Sn1258; Calibrated: 3/8/2012
- Probe: EX3DV4 - SN3772; ConvF(3.58, 3.58, 3.58); Calibrated: 2/16/2012
- Sensor-Surface: 2.5mm (Mechanical Surface Detection)
- Phantom: ELI v5.0 (B); Type: QDOVA001BB; Serial: 1099

Body/5.8 GHz, Pin=100mW/Area Scan (7x7x1): Measurement grid: dx=10mm, dy=10mm

Maximum value of SAR (measured) = 12.137 mW/g

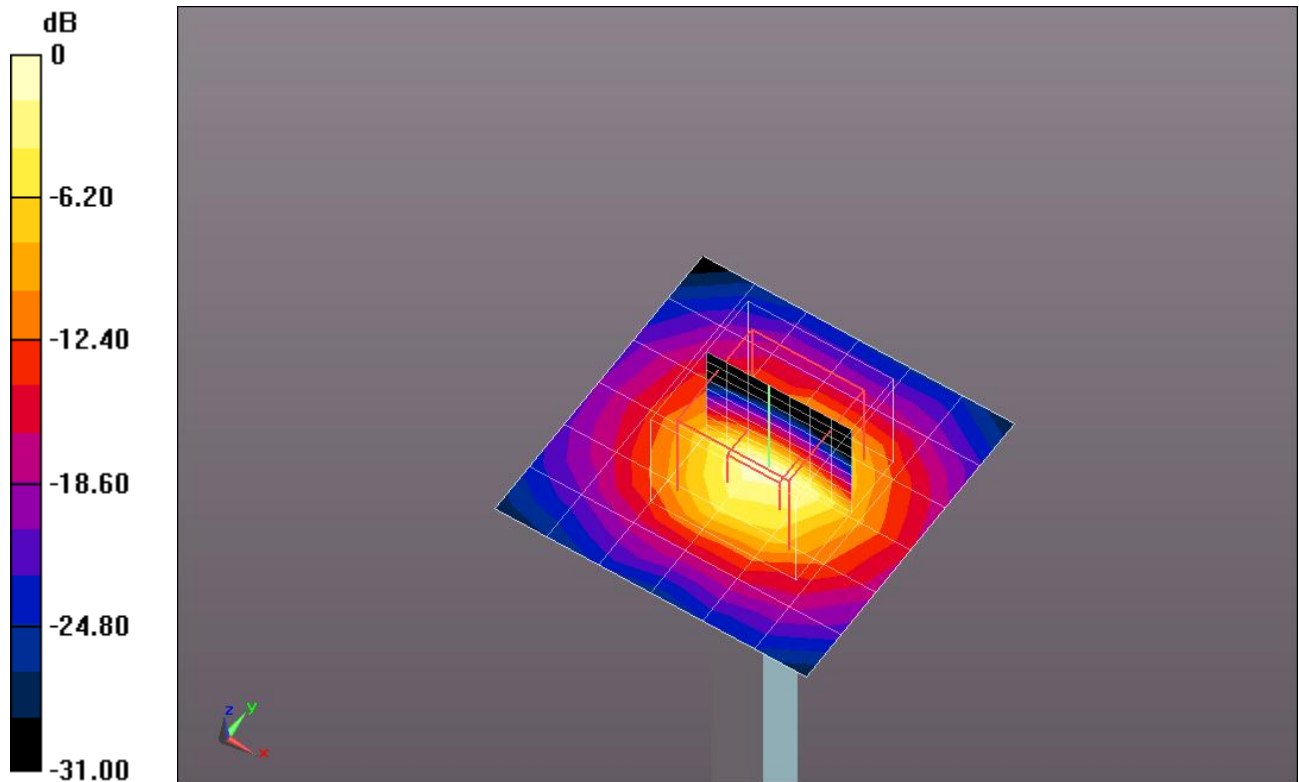
Body/5.8 GHz, Pin=100mW/Zoom Scan (8x8x10)/Cube 0: Measurement grid: dx=4mm, dy=4mm, dz=2.5mm

Reference Value = 48.402 V/m; Power Drift = -0.15 dB

Peak SAR (extrapolated) = 27.2650

SAR(1 g) = 7.31 mW/g; SAR(10 g) = 2.05 mW/g

Maximum value of SAR (measured) = 13.227 mW/g



0 dB = 13.230mW/g = 22.43 dB mW/g

20120620_SystemPerformanceCheck-D5GHzV2 SN 1075

Frequency: 5800 MHz; Duty Cycle: 1:1

Body/5.8 GHz, Pin=100mW/Z Scan (1x1x21): Measurement grid: dx=20mm, dy=20mm, dz=5mm
Maximum value of SAR (measured) = 12.016 mW/g

