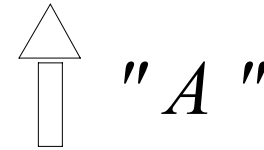
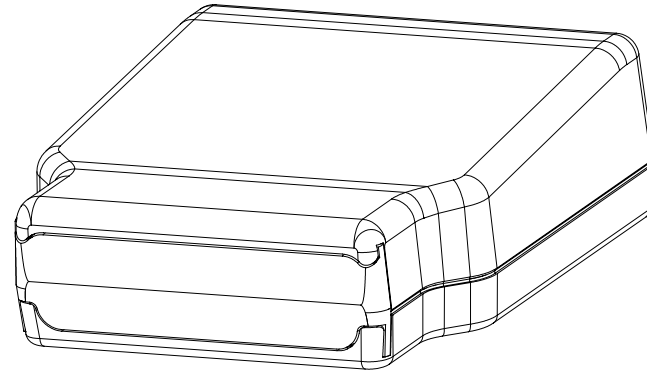


VIEW "A"



*WINDCONNECT II
LABEL PLACEMENT*



R SURYA 12-5-2003