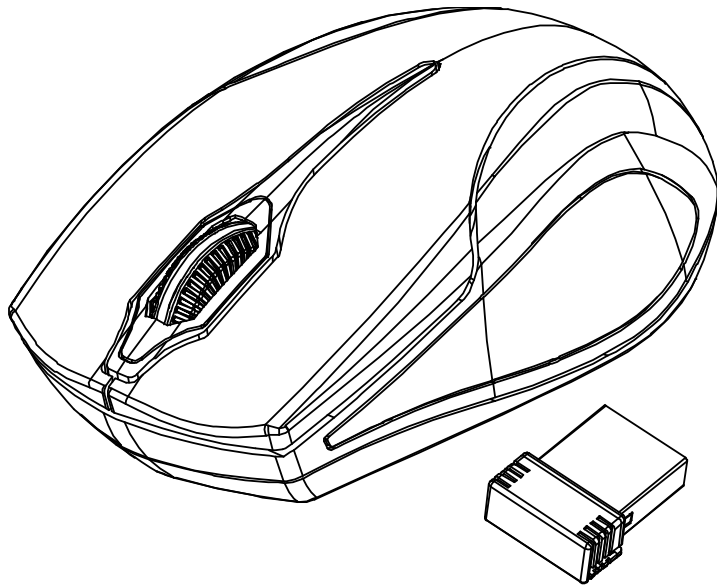


# **2.4GHz Wireless New Triple Wheel BlueTrace™ Mouse w/Nano Receiver**

## ***USER'S GUIDE***

**Ver.:1.00**



**CAUTION:** To use this product properly, please read the user's guide before installing.

## **Federal Communication Commission Interference Statement**

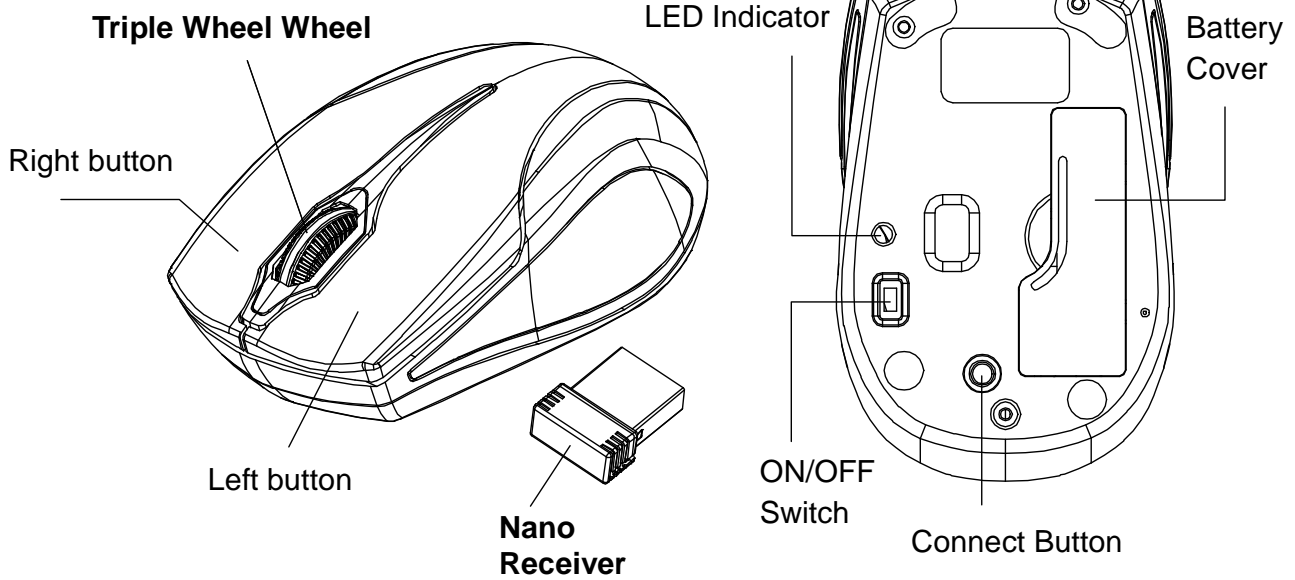
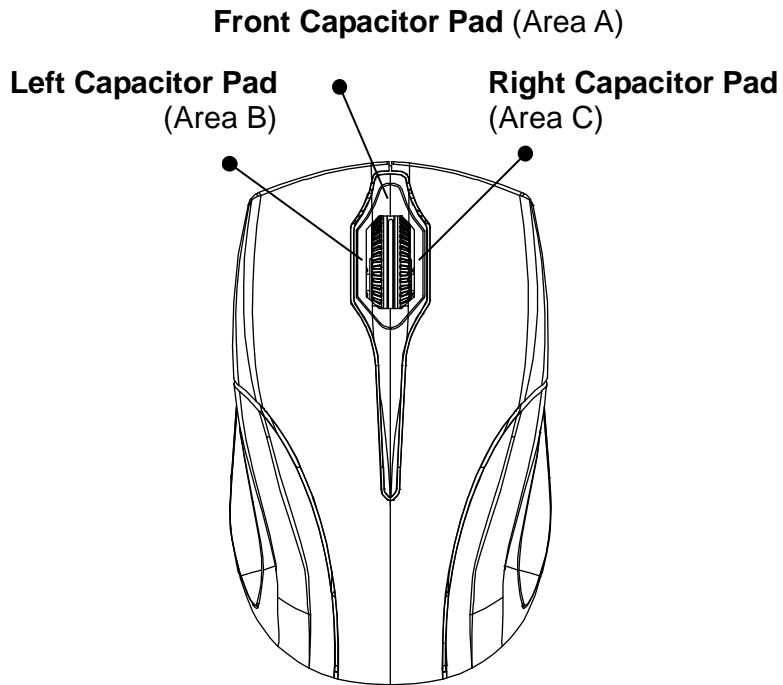
This equipment has been tested and found to comply with the limits for a Class B digital device, pursuant to Part 15 of the FCC Rules. These limits are designed to provide reasonable protection against harmful interference in a residential installation. This equipment generates, uses and can radiate radio frequency energy and, if not installed and used in accordance with the instructions, may cause harmful interference to radio communications. However, there is no guarantee that interference will not occur in a particular installation. If this equipment does cause harmful interference to radio or television reception, which can be determined by turning the equipment off and on, the user is encouraged to try to correct the interference by one of the following measures:

- Reorient or relocate the receiving antenna.
- Increase the separation between the equipment and receiver.
- Connect the equipment into an outlet on a circuit different from that to which the receiver is connected.
- Consult the dealer or an experienced radio/TV technician for help.

FCC Caution: Any changes or modifications not expressly approved by the party responsible for compliance could void the user's authority to operate this equipment.

This device complies with Part 15 of the FCC Rules. Operation is subject to the following two conditions: (1) This device may not cause harmful interference, and (2) this device must accept any interference received, including interference that may cause undesired operation.

# Functional Introduction



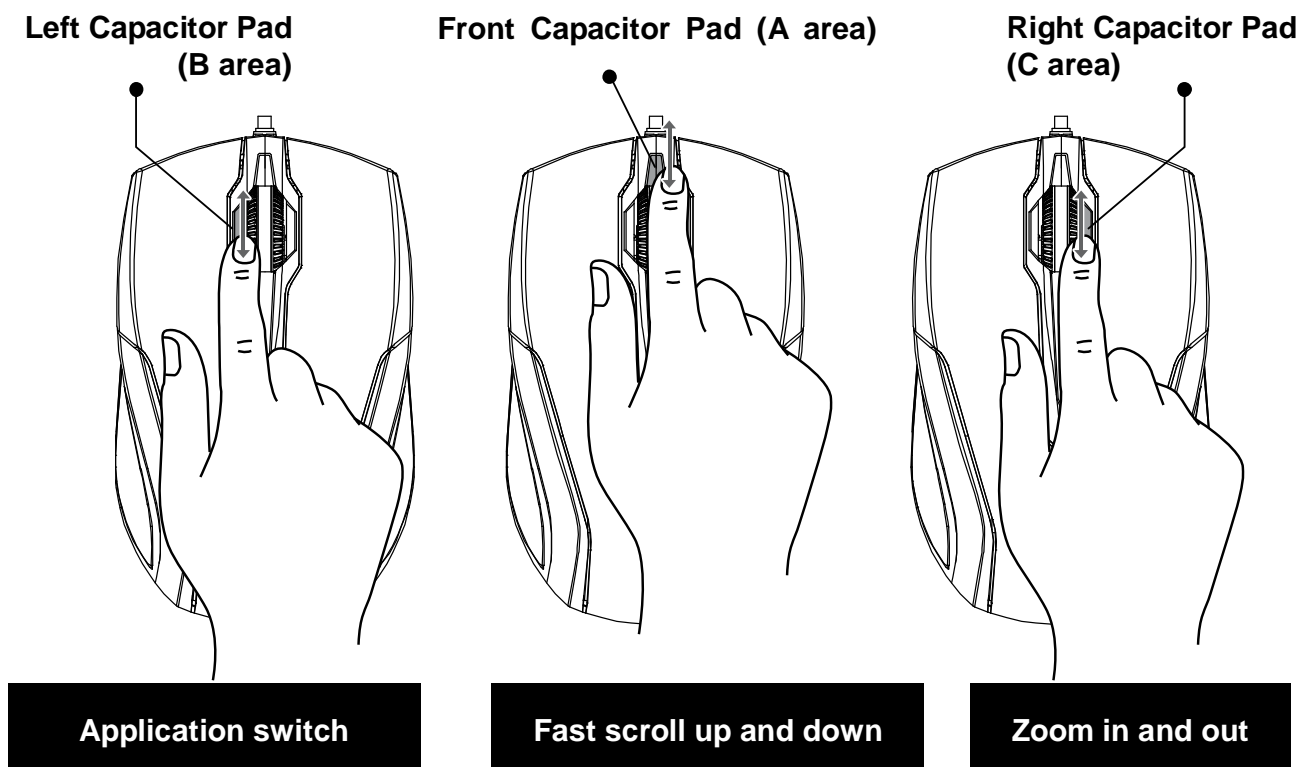
## Triple Wheel

By simply touching one of the capacitor pad and scroll the wheel at the same time, the wheel can perform special function. Therefore, with three different capacitor pads it can perform up to three different functions.

- Increase The Operation Efficiency
- The Potential Expansion of Functions in The Future
- Less Opportunity of Suffering Repetitive Strain Injury

There are three capacitor pads (A, B and C) around the wheel

## Directions on default functions:



## **Fast scrolling (Front Capacitor Pad)**

### **Fast scrolling down**

Lightly touch area A with the tip of your finger then scroll down the wheel with the same finger.

(7 times faster than regular scrolling)

### **Fast scrolling up**

Scroll up the wheel then land the tip of your finger onto area A

(9 times faster than a regular scroll)

Note: Scrolling down is 7 times rather than 9 times because scrolling down is more ergonomic than scrolling up.

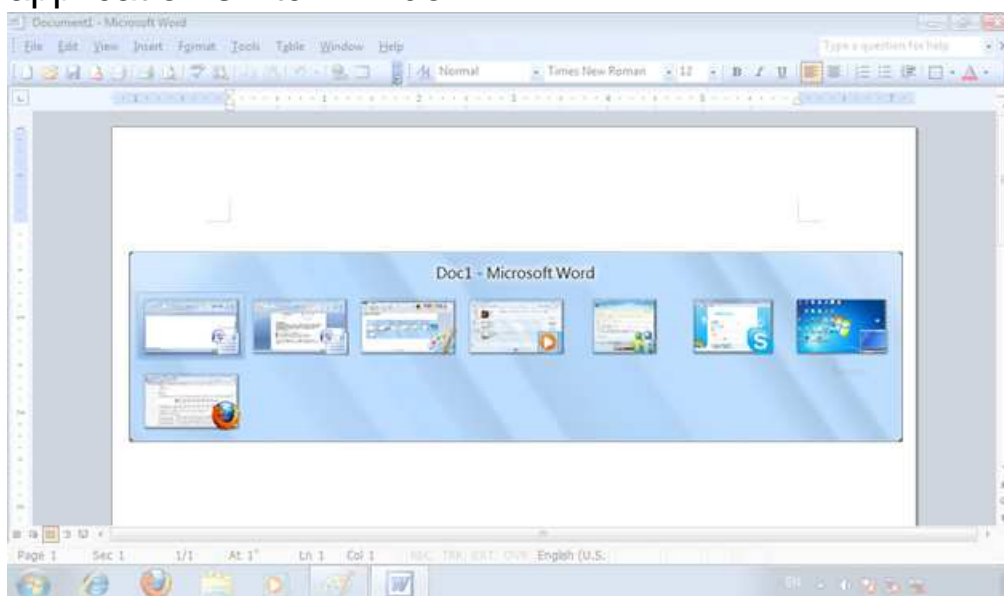
## **Application switch (Left Capacitor Pad)**

### **Application switch**

Touch and do not release area B and at the same time scroll down/up the wheel.

The application switch window will pop up. Keep holding on to area B and scroll the wheel up or down to choose your desire application.

Release area B to jump into the chosen application and close application switch window.



## Zoom in and out (Right Capacitor Pad)

### Zoom in

Touch and do not release area C and at the same time scroll up the wheel.

### Zoom out

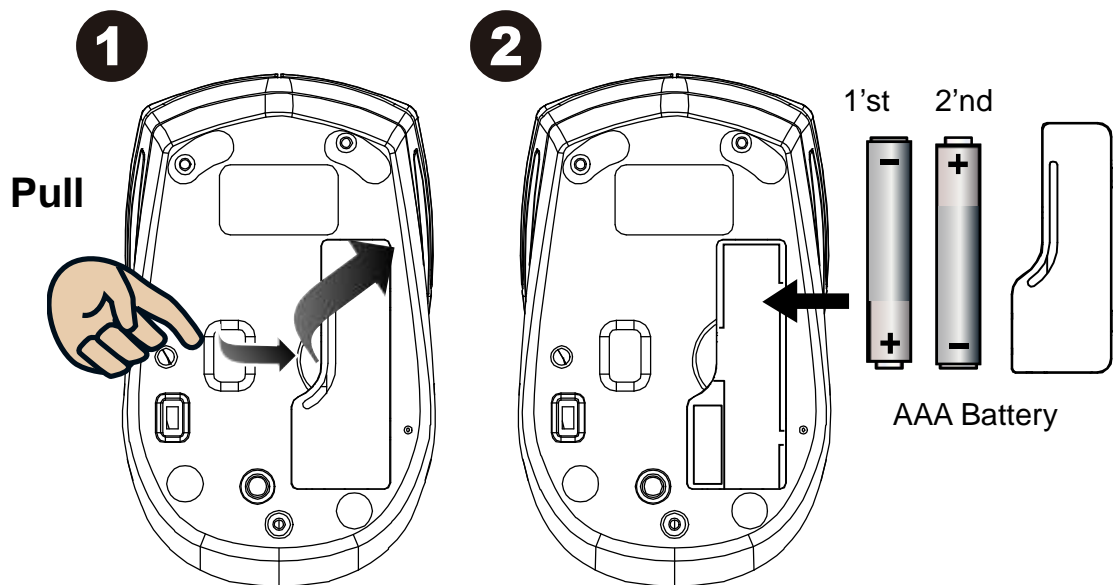
Touch and do not release area C and at the same time scroll down the wheel.

## Installing the batteries

**Step 1:** Take the battery cover off.

**Step 2:** Insert the batteries as shown inside the battery compartment.

**Step 3:** Replace the cover.

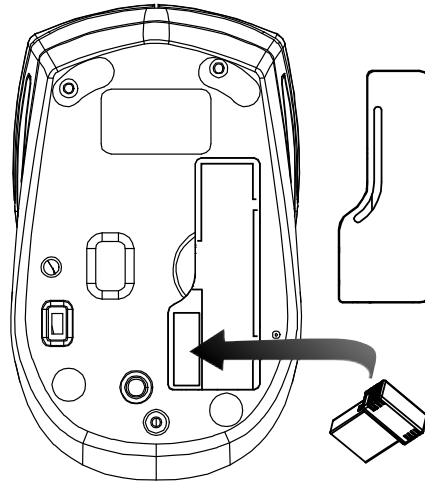


### **\*\*Warning:**

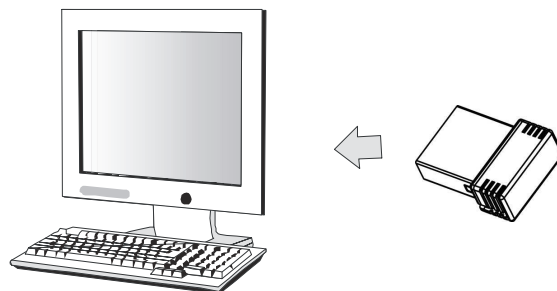
\*Please insert the battery with the correct position according to the instruction labeled on the mouse.

## Setup the Connection between the Receiver and the Mouse

1. Insert the batteries into the mouse, then follow the steps below.
2. In the meantime, to open the mouse under the cover, take the nano receiver out.

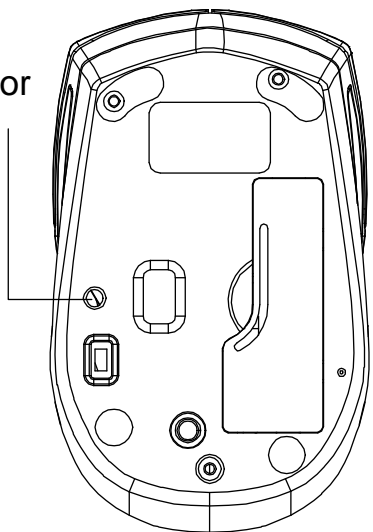


3. Plug the Nano receiver into the USB port of your computer.



4. If the mouse is not working, please put it into pairing mode.
5. Pairing: Re-plug the receiver into the USB port of your computer, then press the connect button on the mouse. If the mouse does not work after 10 seconds, pair them again. (The receiver has auto pairing function).
6. The LED indicator on mouse flashes steadily when it is in pairing mode and stops blinking when it is successfully paired with the receiver.
7. When the batteries' power of the mouse is low, the Low Power indicator will start to blink.

LED Indicator



**\*Mouse Indicator**

**LED is on 3 sec.**  
Power ON



**LED Blinks 3 times**  
During Pairing



Low Battery Warning will blink  
10 times when turn on.

