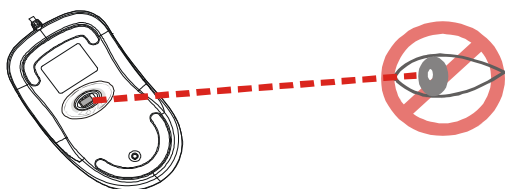
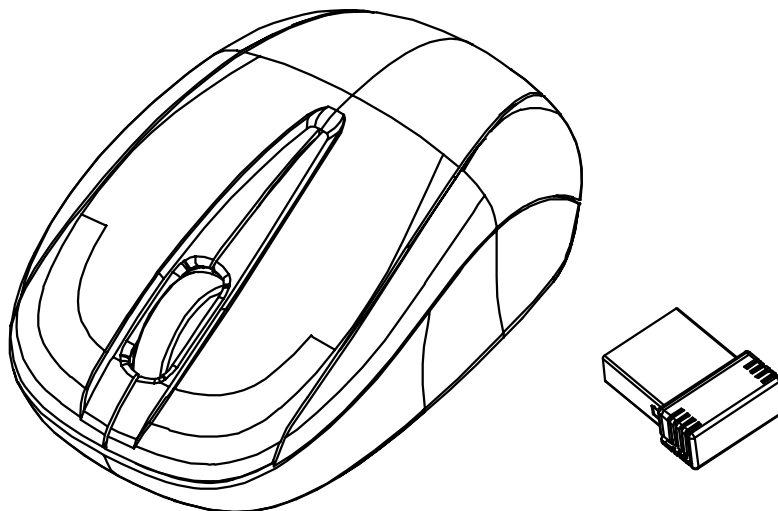


# 2.4GHz Wireless Optical Mouse w/Nano Receiver

## *USER'S GUIDE*

Ver.:1.00



### **Safety Notice**

- 1 This product complies with IEC 60825-1, class 1 laser product.
- 2 Your product complies with FCC and CE rules.
- 3 This product has no serviceable parts. Use of controls or adjustments of procedures other than the user guide may result in danger.



**Please DO NOT direct the laser beam at anyone's eye.**

**CAUTION:** To use this product properly, please read the user's guide before installation

## **Federal Communication Commission Interference Statement**

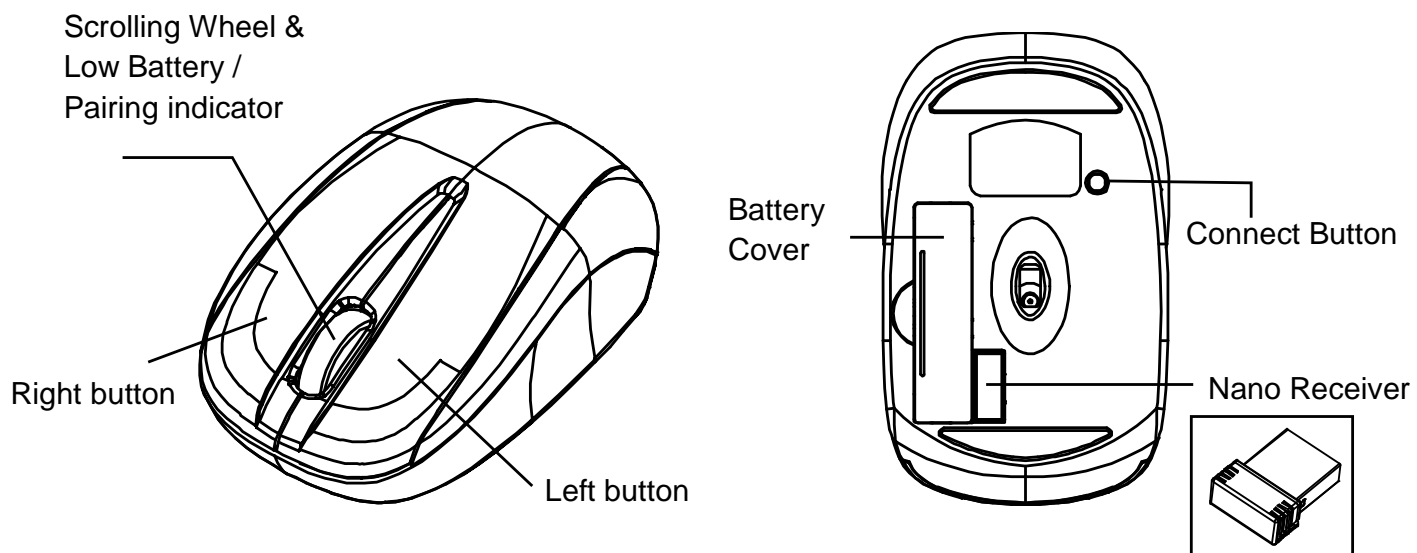
This equipment has been tested and found to comply with the limits for a Class B digital device, pursuant to Part 15 of the FCC Rules. These limits are designed to provide reasonable protection against harmful interference in a residential installation. This equipment generates, uses and can radiate radio frequency energy and, if not installed and used in accordance with the instructions, may cause harmful interference to radio communications. However, there is no guarantee that interference will not occur in a particular installation. If this equipment does cause harmful interference to radio or television reception, which can be determined by turning the equipment off and on, the user is encouraged to try to correct the interference by one of the following measures:

- Reorient or relocate the receiving antenna.
- Increase the separation between the equipment and receiver.
- Connect the equipment into an outlet on a circuit different from that to which the receiver is connected.
- Consult the dealer or an experienced radio/TV technician for help.

FCC Caution: Any changes or modifications not expressly approved by the party responsible for compliance could void the user's authority to operate this equipment.

This device complies with Part 15 of the FCC Rules. Operation is subject to the following two conditions: (1) This device may not cause harmful interference, and (2) this device must accept any interference received, including interference that may cause undesired operation.

# Functional Introduction

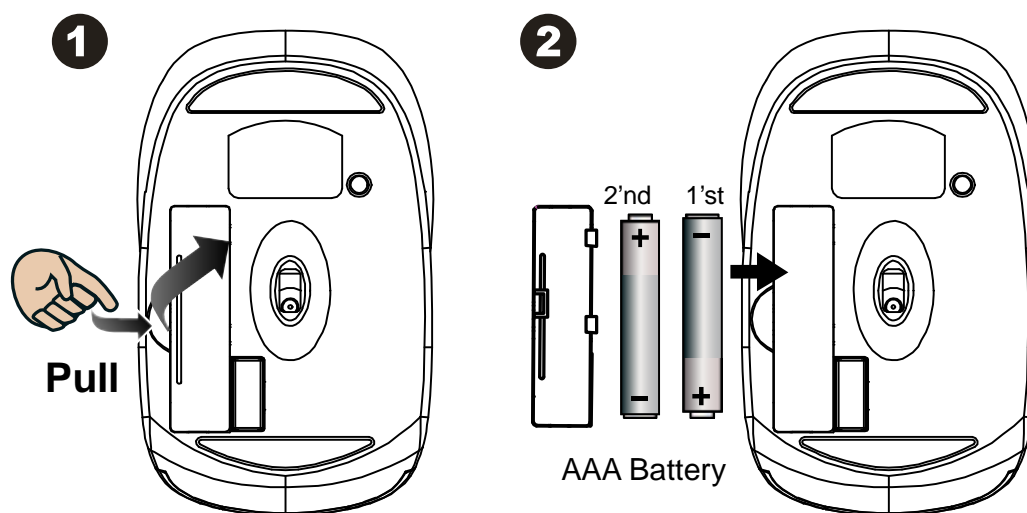


## Installing the batteries

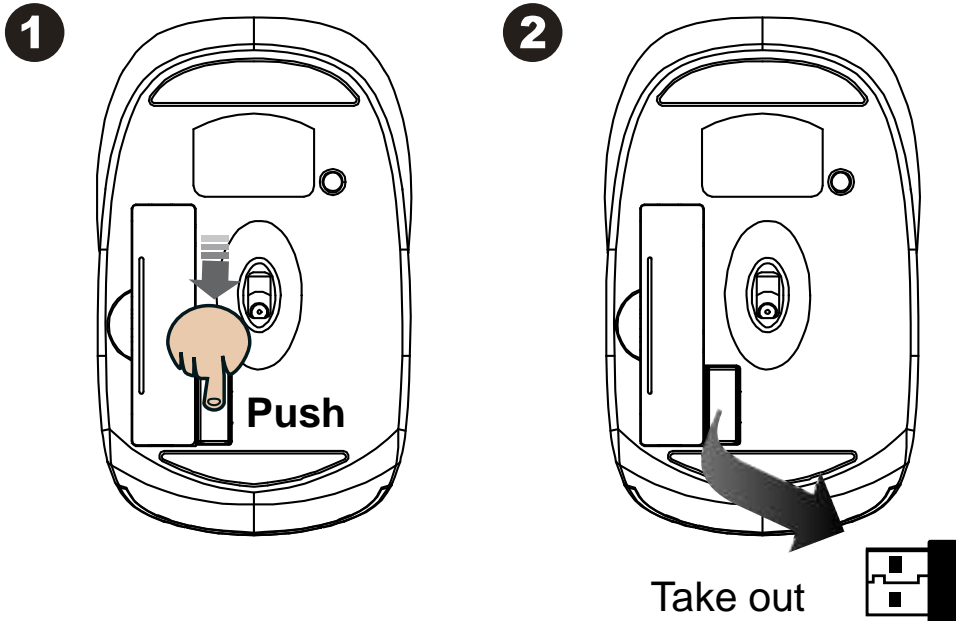
**Step 1:** Take the battery cover off.

**Step 2:** Insert the batteries as shown inside the battery compartment.

**Step 3:** Replace the cover.

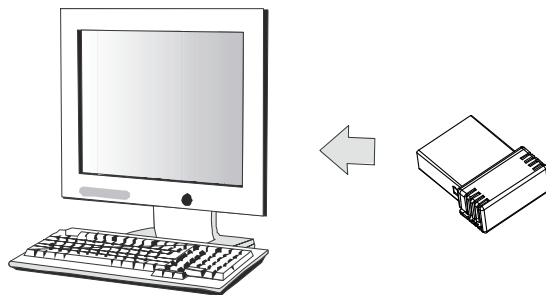


## Nano Receiver



## Setup the Connection between the Receiver and the Mouse

1. Plug the Nano receiver into the USB port of your computer.

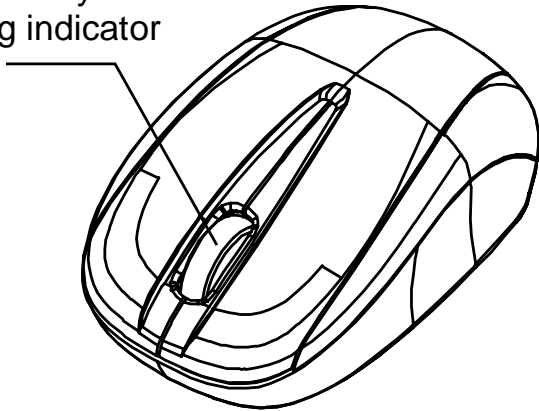


2. Insert the batteries into the mouse, then follow the steps below.
3. If the mouse is not working, please put it into pair mode.
4. Pairing: Re-plug the receiver into the USB port of your computer, then press the connect buttons on the mouse. If the mouse does not work after 30 seconds, pair them again. (The receiver has auto pairing function).

5. The LED indicator on mouse flashes steadily when it is in pairing mode and stops blinking when it is successfully paired with the receiver. The mouse remains off afterwards.
6. When the battery of the mouse is low, the Low Power indicator blinking.

### **During pairing**

Scrolling Wheel &  
Low Battery /  
Pairing indicator



#### **\*Mouse Indicator**

**Red LED ON 10 Sec.**  
Power ON



**Green LED Blinking**  
Pairing (LED OFF when  
paired or after 10 sec.)



**Red LED Blinking**  
10 sec. Low Battery  
Warning Blinking