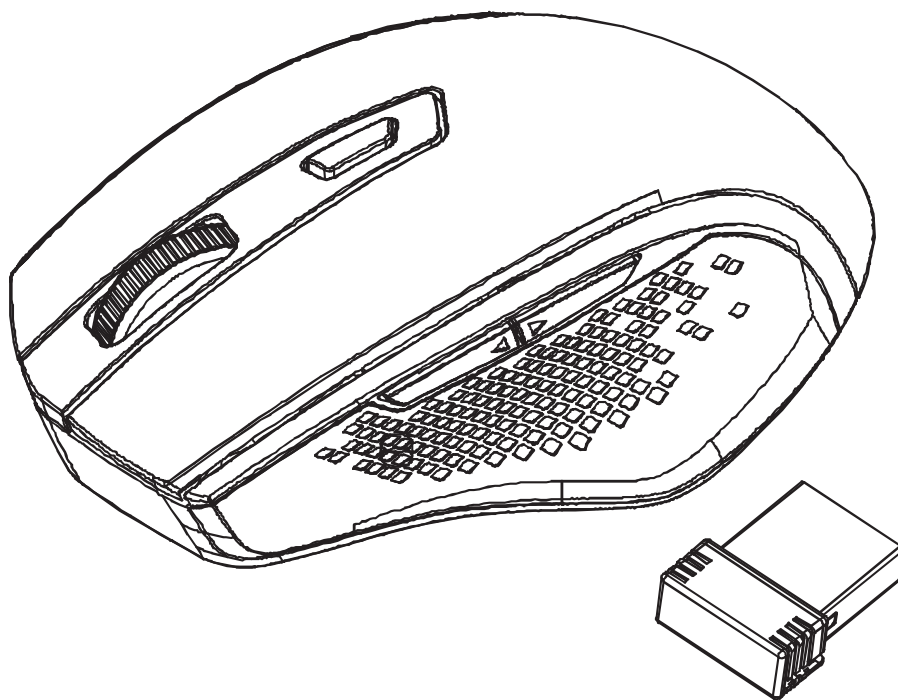


amazonbasics



Ergonomic Wireless Mouse - DPI Adjustable
Souris Sans Fil Ergonomique - DPI ajustable
Ergonomische, kabellose Maus – DPI einstellbar
Mouse Wireless Ergonomico - DPI Regolabile
Ratón Inalámbrico Ergonómico - DPI Ajustable
Ergonomische Draadloze Muis - DPI Instelbaar
ワイヤレスマウス人間工学 – DPIアジャスタブル

B0787D6SGQ, B0787PGF9N, B0787K1MLT,
B0787QZ6WD, B0787G1YFF

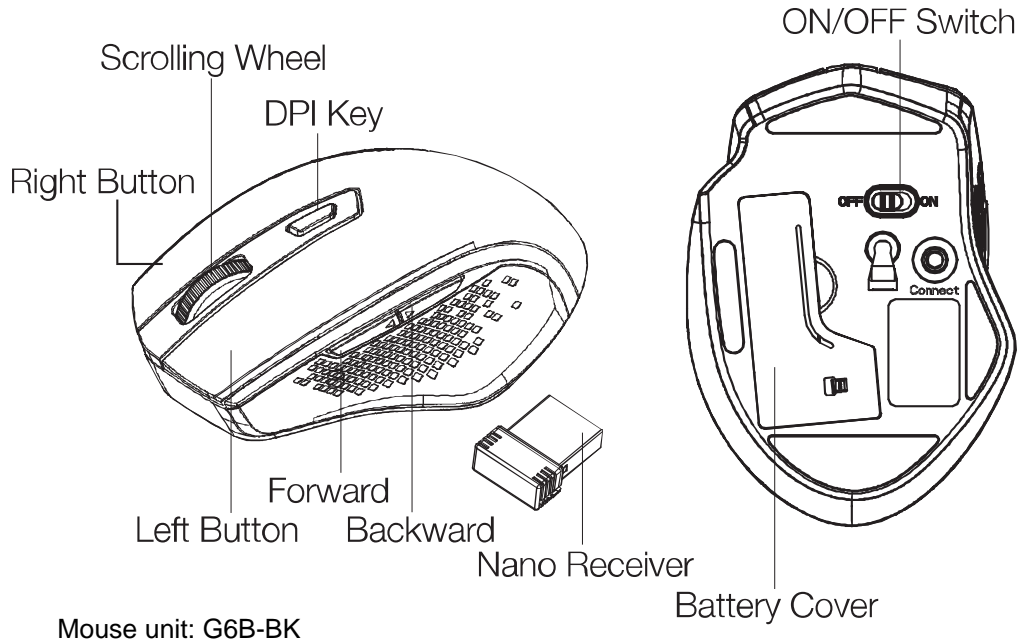




English	3
Français	13
Deutsch.....	21
Italiano	29
Español	37
Nederlands.....	45
日本語	53

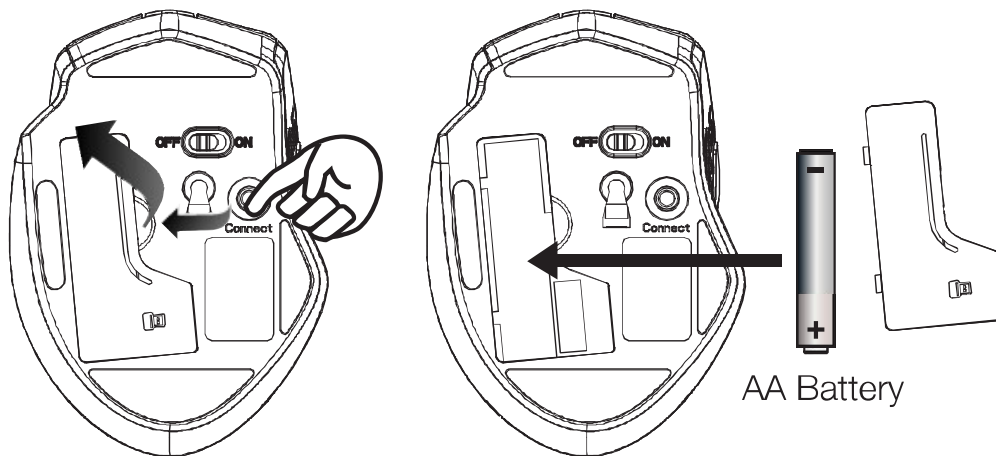
Welcome Guide • English

Parts List



Setup

Installing The Battery



English

Français

Deutsch

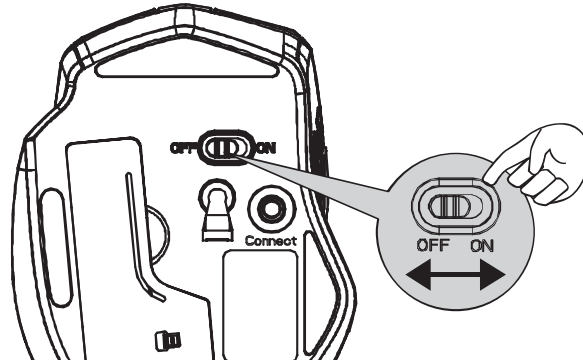
Italiano

Español

Nederlands

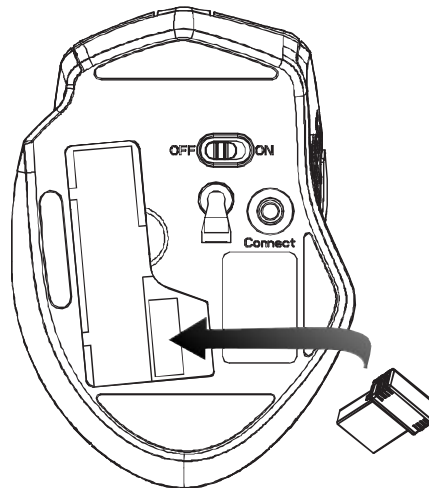
日本語

Installing the Battery



- Remove the battery cover.
- Insert the battery correctly with regard to polarity (+ and -) marked on the battery and the product.
- Place the cover back over the battery compartment.
- Set the ON/OFF switch to ON.

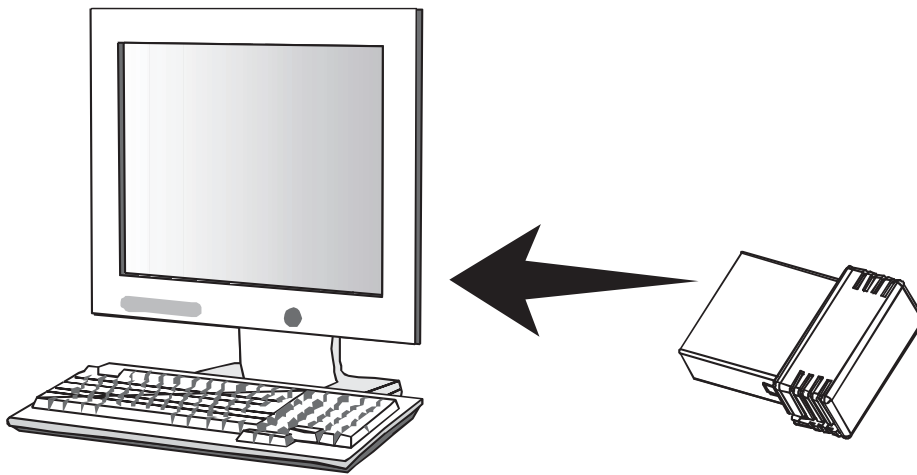
Connecting Mouse to Receiver



- Remove the battery cover, and take the nano receiver out.
- Plug the nano receiver into a USB port of your computer.

Setup the Connection between the Receiver and the Mouse

1. Insert the battery into the mouse, then follow the steps below.
2. In the meantime, to take the nano receiver, open the cover under the mouse.
3. Plug the Nano receiver into the USB port on your computer.



4. If the mouse does not work, please put it into pairing mode.
5. Pairing: Re-plug the receiver into the USB port on your computer, then press the connect button on the mouse. If the mouse does not work after 10 seconds, pair them again. (The receiver has auto pairing function).
6. The LED indicator on mouse flashes steadily when it is in pairing mode and stops blinking when it is successfully paired with the receiver.
7. When low battery, the battery indicator (DPI key) on the mouse will start to blink.

Operation Controls

Forward

- Press this button to view the next page in your Internet browser.

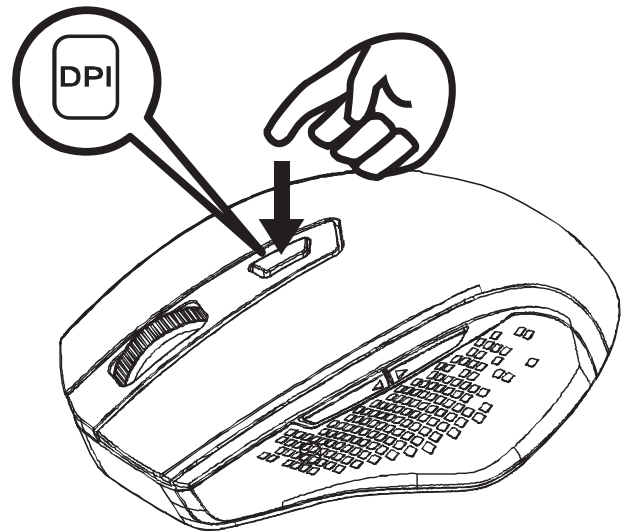
Backward

- Press this button to view the previous page in your Internet browser.

DPI Setting Adjustment

- 5 DPI settings are available.
- The number of times the DPI key blinks indicates the current DPI setting (Note: the default setting is 1600 DPI).

DPI	Number of Blinks
600 DPI	1
1000 DPI	2
1600 DPI	3
2400 DPI	4
3600 DPI	5



Federal Communication Commission Interference Statement

This equipment has been tested and found to comply with the limits for a Class B digital device, pursuant to Part 15 of the FCC Rules. These limits are designed to provide reasonable protection against harmful interference in a residential installation. This equipment generates, uses and can radiate radio frequency energy and, if not installed and used in accordance with the instructions, may cause harmful interference to radio communications. However, there is no guarantee that interference will not occur in a particular installation. If this equipment does cause harmful interference to radio or television reception, which can be determined by turning the equipment off and on, the user is encouraged to try to correct the interference by one of the following measures:

- Reorient or relocate the receiving antenna.
- Increase the separation between the equipment and receiver.
- Connect the equipment into an outlet on a circuit different from that to which the receiver is connected.
- Consult the dealer or an experienced radio/TV technician for help.

FCC Caution: Any changes or modifications not expressly approved by the party responsible for compliance could void the user's authority to operate this equipment.

This device complies with Part 15 of the FCC Rules. Operation is subject to the following two conditions: (1) This device may not cause harmful interference, and (2) this device must accept any interference received, including interference that may cause undesired operation.

English

Français

Deutsch

Italiano

Español

Nederlands

日本語

English

Radiation Exposure Statement:

The product complies with the FCC portable RF exposure limit set forth for an uncontrolled environment and are safe for intended operation as described in this manual. The further RF exposure reduction can be achieved if the product can be kept as far as possible from the user body or set the device to lower output power if such function is available.

Français

IC Caution

This device complies with Industry Canada's licence-exempt RSSs. Operation is subject to the following two conditions:

- (1) This device may not cause interference; and
- (2) This device must accept any interference, including interference that may cause undesired operation of the device.

Deutsch

Italiano

Simplified EU Declaration of Conformity

- Hereby, Amazon EU Sarl declares that the radio equipment type B0787D6SGQ, B0787PGF9N, B0787K1MLT, B0787QZ6WD, B0787G1YFF is in compliance with Directive 2014/53/EU.
- The full text of the EU declaration of conformity is available at the following internet address: https://www.amazon.co.uk/amazon_private_brand_EU_compliance

Español

Nederlands

Intended Use


This product is a wireless computer peripheral intended for interacting with your desktop/laptop.

日本語

Safety and Compliance

Read this instruction manual carefully before using the product. It contains important information for your safety as well as operating and maintenance advice. Observe all safety instructions to avoid damage through improper use! Follow all warnings on the product. Keep this instruction manual for future use. Should this product be passed on to a third party, then this instruction manual must be included.

- Never use this product if damaged.
- Do not insert any foreign objects into the inside of the casing.
- Protect the product from extreme temperatures, hot surfaces, open flames, direct sunlight, water, high humidity, moisture, strong jolts, flammable gases, vapours and solvents.
- Keep this product and its packaging out of the reach of children and pets.

 **WARNING** Do not look directly at the LED light.

Battery Warnings

- Keep batteries out of the reach of children.
- Do not dispose of batteries in fire.
- Store unused batteries in their original packaging away from metal objects. If already unpacked, do not mix or jumble batteries.
- Remove batteries from product if it is not to be used for an extended period of time unless it is for emergency purposes. Exhausted batteries should be immediately removed from product and properly disposed.
- If the battery leaks avoid contact with skin and eyes. Rinse affected areas immediately with plenty of clean water, then consult a doctor.

English

Français

Deutsch

Italiano

Español

Nederlands

日本語

English

Cleaning and Maintenance

- Clean the product with a dry lint-free cloth. Do not allow any water or other liquids enter the product's interior.
- Do not use abrasives, harsh cleaning solutions or hard brushes for cleaning.
- Clean the battery contacts and also those of the product prior to battery installation.

Français

Specifications

Deutsch

Power Supply:	1.5 V AA battery
Current consumption:	30 mA
Weight:	67.1 g (0.15 lbs)
Dimensions:	4.1 x 2.9 x 1.5 in (10.50 x 7.45 x 3.77 cm)
Encryption:	AES128
OS compatibility:	Windows 10 / 8 / 7
Transmission power:	1 mW
Frequency band:	2.4 GHz (2.402 GHz - 2.480 GHz)

Italiano

Español

Nederlands

日本語

Disposal



The Waste Electrical and Electronic Equipment (WEEE) Directive aims to minimize the impact of electrical and electronic goods on the environment, by increasing re-use and recycling and by reducing the amount of WEEE going to landfill. The symbol on this product or its packaging signifies that this product must be disposed separately from ordinary household wastes at its end of life. Be aware that this is your responsibility to dispose of electronic equipment at recycling centers in order to conserve natural resources. Each country should have its collection centers for electrical and electronic equipment recycling. For information about your recycling drop off area, please contact your related electrical and electronic equipment waste management authority, your local city office, or your household waste disposal service.

Battery Disposal



Do not dispose of used batteries with your household waste. Take them to an appropriate disposal/collection site.

English

Français

Deutsch

Italiano

Español

Nederlands

日本語

English

Feedback and Help

Love it? Hate it? Let us know with a customer review.

AmazonBasics is committed to delivering customer-driven products that live up to your high standards. We encourage you to write a review sharing your experiences with the product.

Français



US: amazon.com/review/review-your-purchases#

UK: amazon.co.uk/review/review-your-purchases#

Deutsch



US: amazon.com/gp/help/customer/contact-us

UK: amazon.co.uk/gp/help/customer/contact-us

Italiano

Español

Nederlands

日本語