



Final flat size: 12.375 × 5.83 in. (314.33 × 148.08 mm)  
Final fold size: 4.125 × 5.83 in. (104.775 × 148.08 mm)



# Wireless Mouse 3-Button

Quick setup guide

BE-PMRF3B

**BEST BUY**  
**essentials**

Before using your new product, please read these instructions to prevent any damage.

## Package contents

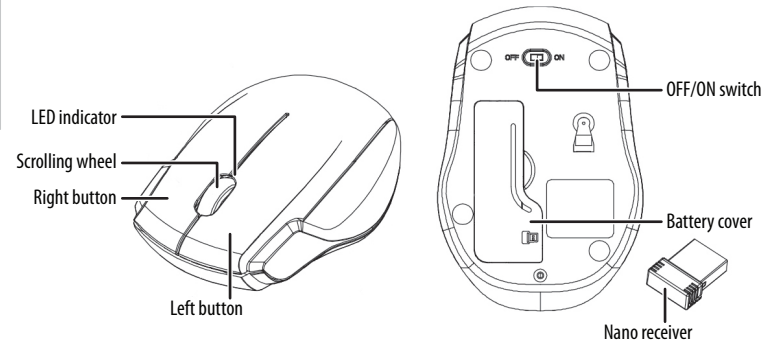
- Wireless mouse
- Nano receiver
- AA battery (1)
- Quick Setup Guide

## System requirements

- Windows® 10, Mac OS, or Chrome OS
- One available USB port

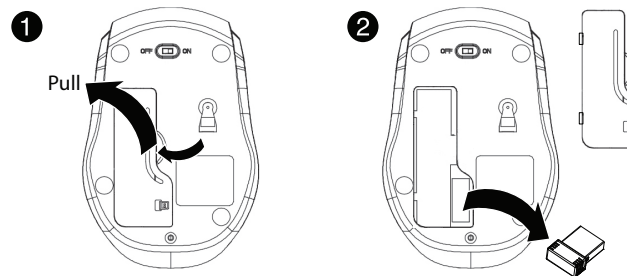


## Mouse features

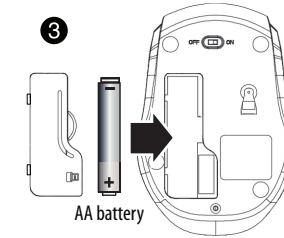


## Installing the mouse battery and removing the nano receiver

- 1 Take the battery cover off.
- 2 Remove the nano receiver.



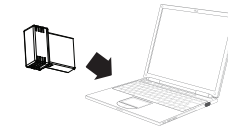
- 3 Insert the included AA battery into the battery compartment. Make sure that the + and - signs match the symbols in the compartment.



- 4 Replace the battery cover.  
**Tip:** Store the nano receiver in the mouse when it is not in use.

## Connecting your mouse to your computer

- 1 Plug the nano receiver into a USB port on your computer.



- 2 Slide the ON/OFF switch on your mouse to **ON**. Your computer automatically detects your mouse and you can immediately begin using it.



## LED indicators

The LED indicator blinks for 10 seconds when the battery is low.





## Cleaning your mouse

Wipe your mouse with a damp, lint-free cloth.

## Specifications

### Mouse:

- **Dimensions (HxWxD):** 1.5 × 2.6 × 3.9 in. (3.8 × 6.6 × 9.9 cm)
- **Weight:** 2.05 oz. (58 g)
- **Battery:** 1 AA alkaline battery
- **Battery life:** 6 months (based on average usage)
- **Radio frequency:** 2.4Ghz
- **Operating distance:** 33 feet (10 meters)
- **Rating:** 1.5V C.C. - 10mA
- **Dpi:** 1600

### Nano receiver:

- **Dimensions (HxWxD):** .6 × .2 × .7 in. (1.4 × .6 × 1.8 cm)
- **Weight:** .04 oz. (1.1 g)
- **Interface:** USB 1.1, 2.0, 3.0

## Troubleshooting

### My mouse is not working.

- Make sure that your mouse is turned on.
- Move your mouse closer to your computer.
- Make sure that your computer meets the system requirements.
- Only use your mouse on a clean, flat, non-slippery surface to ensure smooth and accurate cursor action.
- Avoid using your mouse on reflective, transparent, or metallic surfaces.
- Replace the mouse battery.
- Try connecting your nano receiver into a different USB port on your computer.
- Try removing or moving other wireless devices near the computer to prevent interference.



### My mouse pointer or scroll wheel is too sensitive or not sensitive enough.

- Adjust the cursor or scroll wheel settings on your computer. Refer to the documentation that came with your computer.

## Legal notices

All other devices shall bear the following statement in a conspicuous location on the device:

### FCC Statement

This device complies with Part 15 of the FCC Rules. Operation is subject to the following two conditions: (1) this device may not cause harmful interference, and (2) this device must accept any interference received, including interference that may cause undesired operation.

This equipment has been tested and found to comply with the limits for a Class B digital device, pursuant to Part 15 of the FCC Rules. These limits are designed to provide reasonable protection against harmful interference in a residential installation. This equipment generates, uses, and can radiate radio frequency energy and, if not installed and used in accordance with the instructions, may cause harmful interference to radio communications. However, there is no guarantee that interference will not occur in a particular installation. If this equipment does cause harmful interference to radio or television reception, which can be determined by turning the equipment off and on, the user is encouraged to try to correct the interference by one or more of the following measures:

- Reorient or relocate the receiving antenna.
- Increase the separation between the equipment and receiver.
- Connect the equipment into an outlet on a circuit different from that to which the receiver is connected.
- Consult the dealer or an experienced radio/TV technician for help.

**Warning:** Changes or modifications not expressly approved by the party responsible for compliance could void the user's authority to operate the equipment.

### RSS-Gen and RSS-210 statement

This device complies with Industry Canada license-exempt RSS standard(s).

Operation is subject to the following two conditions: (1) this device may not cause interference, and (2) this device must accept any interference, including interference that may cause undesired operation of the device.



Le présent appareil est conforme aux CNR d'Industrie Canada applicables aux appareils radio exempts de licence. L'exploitation est autorisée aux deux conditions suivantes : (1) l'appareil ne doit pas produire de brouillage, et (2) l'utilisateur de l'appareil doit accepter tout brouillage radioélectrique subi, même si le brouillage est susceptible d'en compromettre le fonctionnement.

### RSS-102 statement

This equipment complies with Industry Canada radiation exposure limits set forth for an uncontrolled environment.

Cet équipement est conforme à l'exposition aux rayonnements Industrie Canada limites établies pour un environnement non contrôlé.

## One-year limited warranty

Visit [www.bestbuy.com/bestbuyessentials](http://www.bestbuy.com/bestbuyessentials) for details.

## Contact Best Buy Essentials

For customer service, call 866-597-8427 (U.S. and Canada)

[www.bestbuy.com/bestbuyessentials](http://www.bestbuy.com/bestbuyessentials)

Best Buy Essentials is a trademark of Best Buy and its affiliated companies.  
Distributed by Best Buy Purchasing, LLC  
7601 Penn Ave South, Richfield, MN 55423 U.S.A.  
©2020 Best Buy. All rights reserved.

