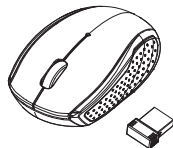
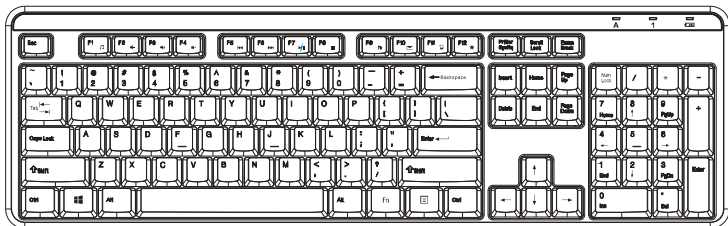


amazon basics



Wireless Keyboard and Mouse Combo - Quiet and Compact  
Combo Clavier Et Souris Sans Fil - Silencieux Et Compact  
Kabelloses Tastatur-Maus-Set - Geräuscharm und kompakt  
Set Tastiera e Mouse Wireless - Silenzioso e Compatto  
Combinación De Teclado y Ratón Inalámbrico - Compacto y Silencioso  
Set van Draadloos Toetsenbord en Muis - Stil en Compact  
ワイヤレスキーボード&マウスコンボ - 静かでコンパクト

B0787CVBWP, B0787HRQN4, B0787C4NW2,  
B0787HV5H4, B0787Y9JQM, B0787LHG5B

|                 |    |
|-----------------|----|
| English .....   | 3  |
| Français .....  | 18 |
| Deutsch.....    | 31 |
| Italiano .....  | 45 |
| Español .....   | 58 |
| Nederlands..... | 71 |
| 日本語.....        | 84 |

# Welcome Guide • English

English

Français

Deutsch

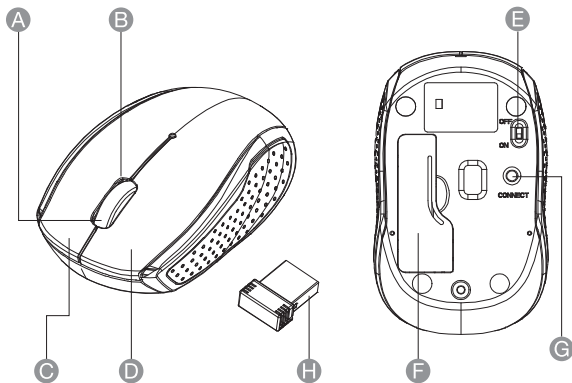
Italiano

Español

Nederlands

日本語

## Parts List - Mouse



**A** Scrolling Wheel

**B** LED Indicator

**C** Right Button

**D** Left Button

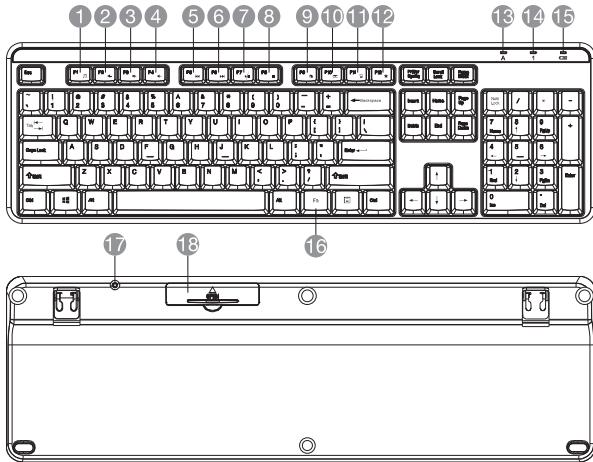
**E** ON/OFF Switch

**F** Battery Cover





**G** CONNECT Button

**H** Nano Receiver

# Parts List - Keyboard



- |   |  |                                     |
|---|--|-------------------------------------|
| ① |  | To turn on the Media player program |
| ② |  | To decrease volume                  |
| ③ |  | To increase volume                  |
| ④ |  | To mute the sound                   |
| ⑤ |  | Previous track                      |
| ⑥ |  | Next track                          |
| ⑦ |  | To play/pause media playback        |

|    |   |   |   |
|----|---|---|---|
| 8  | ■   | To stop media playback                                  |   |
| 9  |  | To start the default Web browser and load the home page |   |
| 10 |  | To start the default e-mail client                      |   |
| 11 |  | To open up the folder 'My Computer'                     |   |
| 12 | ★   | To open 'My favorite' when inside the browser           |   |
| 13 | <b>A</b>  | LED indicator   | Caps Lock on                                |
| 14 | <b>1</b>  | LED indicator   | Number Lock on                              |
| 15 |  | LED indicator   | Low battery and pairing indicator           |
| 16 | <b>Fn</b>   | To enable the second function of the Function keys      |   |
| 17 | CONNECT button  |   | To establish pairing with the nano receiver |
| 18 | Battery cover   |   |   |

**NOTE**

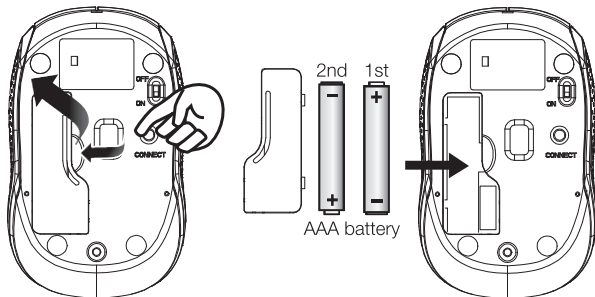
Press **Fn** + any function key (1 through 12) to trigger the secondary function of each key.

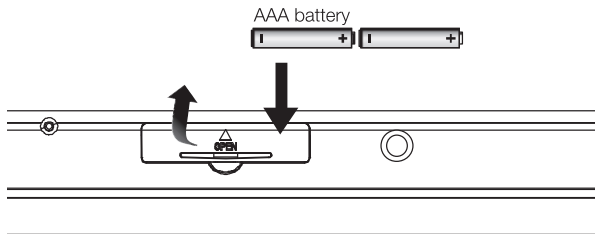
# Setup

## Installing the Batteries

**NOTE**

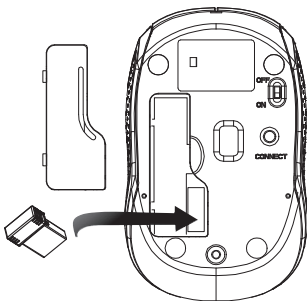
- Always purchase the correct size and grade of battery most suitable for the intended use.
- Clean the battery contacts and also those of the device prior to battery installation.
- Ensure the batteries are installed correctly with regard to polarity (+ and -).
- Remove batteries from equipment that is not to be used for an extended period of time. Remove used batteries promptly.





1. Remove the battery cover.
2. Insert the batteries correctly with regard to polarity (+ and -) marked on the battery and the product.
3. Place the cover back over the battery compartment.
4. Set the ON/OFF switch on the bottom side of the mouse to ON.

## Pairing



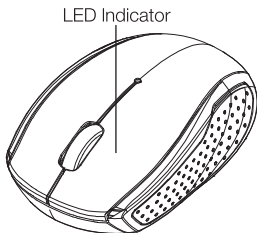
1. Remove the battery cover of the mouse, and take the nano receiver out.
2. Plug the nano receiver into a USB port of your computer.

If the connection between mouse and/or keyboard and the receiver fails or is interrupted, proceed as follows:

1. Remove the nano receiver from the USB port and plug it back in.
2. Press the CONNECT button of the mouse and/or keyboard.

**NOTE**

The LED indicator on the mouse and the keyboard blinks when it is in pairing mode and stops blinking when it is successfully paired with the receiver.



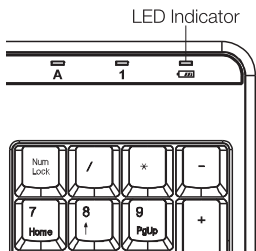
## Mouse LED Indicator

### LED blinking

During pairing (The LED goes off when pairing is successful or if it keeps failing for longer than 10 seconds.)

### LED blinks for 10 sec.

Low battery warning



## Keyboard LED Indicator

### LED is on for 10 sec.

Power ON

### LED blinking

During pairing (The LED goes off when pairing is successful or if it keeps failing for longer than 10 seconds.)

### LED blinks for 10 sec.

Low battery warning



## Cleaning and Maintenance

- Clean the product with a dry lint-free cloth. Do not allow any water or other liquids enter the product's interior.
- Do not use abrasives, harsh cleaning solutions or hard brushes for cleaning.
- Clean the battery contacts and also those of the product prior to battery installation.

## FCC – Supplier's Declaration of Conformity

|                                 |  |
|---------------------------------|--|
| <b>Unique Identifier</b>        | B0787CVBWP, B0787HRQN4,<br>B0787C4NW2, B0787HV5H4,<br>B0787Y9JQM, B0787LHG5B<br><br>Wireless Keyboard and Mouse Combo -<br>Quiet and Compact |
| <b>Responsible Party</b>        | Amazon.com Services, Inc   |
| <b>U.S. Contact Information</b> | 410 Terry Ave N.<br>Seattle, WA<br>98109, United States  |
| <b>Telephone Number</b>         | (206) 266-1000   |

### FCC Compliance Statement

1. This device complies with Part 15 of the FCC rules. Operation is subject to the following two conditions:
  - (1) this device may not cause harmful interference, and
  - (2) this device must accept any interference received, including interference that may cause undesired operation.
2. Changes or modifications not expressly approved by the party responsible for compliance could void the user's authority to operate the equipment.

## FCC Interference Statement

This equipment has been tested and found to comply with the limits for a Class B digital device, pursuant to part 15 of the FCC Rules. These limits are designed to provide reasonable protection against harmful interference in a residential installation. This equipment generates, uses and can radiate radio frequency energy and, if not installed and used in accordance with the instructions, may cause harmful interference to radio communications. However, there is no guarantee that interference will not occur in a particular installation. If this equipment does cause harmful interference to radio or television reception, which can be determined by turning the equipment off and on, the user is encouraged to try to correct the interference by one or more of the following measures:

- Reorient or relocate the receiving antenna.
- Increase the separation between the equipment and receiver.
- Connect the equipment into an outlet on a circuit different from that to which the receiver is connected.
- Consult the dealer or an experienced radio/TV technician for help.

## Canada IC Notice

- This device complies with Industry Canada's licence-exempt RSSs. Operation is subject to the following two conditions:
  - (1) this device may not cause interference, and
  - (2) this device must accept any interference, including interference that may cause undesired operation of the device.

## Simplified EU Declaration of Conformity

- Hereby, Amazon EU Sarl declares that the radio equipment type B0787CVBWP, B0787HRQN4, B0787C4NW2, B0787HV5H4, B0787Y9JQM, B0787LHG5B is in compliance with Directive 2014/53/EU.
- The full text of the EU declaration of conformity is available at the following internet address: [https://www.amazon.co.uk/amazon\\_private\\_brand\\_EU\\_compliance](https://www.amazon.co.uk/amazon_private_brand_EU_compliance)

## Simplified UK Declaration of Conformity

- Hereby, Amazon EU SARL, UK Branch declares that the radio equipment type B0787CVBWP, B0787HRQN4, B0787C4NW2, B0787HV5H4, B0787Y9JQM, B0787LHG5B is in compliance with The Radio Equipment Regulations 2017. The full text of the UK declaration of conformity is available at the following internet address:
- [https://www.amazon.co.uk/amazon\\_private\\_brand\\_EU\\_compliance](https://www.amazon.co.uk/amazon_private_brand_EU_compliance)

## Intended Use

This product is a wireless computer peripheral intended for interacting with your desktop/laptop.

## Safety and Compliance

Read this instruction manual carefully before using the product. It contains important information for your safety as well as operating and maintenance advice. Observe all safety instructions to avoid damage through improper use! Follow all warnings on the product. Keep this instruction manual for future use. Should this product be passed on to a third party, then this instruction manual must be included.

- Never use this product if damaged.
- Do not insert any foreign objects into the inside of the casing.
- Protect the product from extreme temperatures, hot surfaces, open flames, direct sunlight, water, high humidity, moisture, strong jolts, flammable gases, vapours and solvents.
- Keep this product and its packaging out of the reach of children and pets.



### **WARNING**

Do not look directly at the LED light.

## Battery Warnings

- Keep batteries out of the reach of children. In particular, keep batteries which are considered swallowable out of the reach of children. In case of ingestion of a cell of battery seek medical assistance promptly. Swallowing batteries can cause chemical burns, perforation of soft tissue, and in severe cases can cause death. They need to be removed immediately if swallowed.
- Do not allow children to replace batteries without adult supervision.

- Always insert batteries correctly with regard to polarity (+ and –) marked on the battery and the equipment. When batteries are inserted in reverse they might be short-circuited or charged. This can cause overheating, leakage, venting, rupture, explosion, fire and personal injury.
- Do not short-circuit batteries. When the positive (+) and negative (–) terminals of a battery are in electrical contact with each other, the battery becomes short-circuited. For example loose batteries in a pocket with keys or coins, can be short-circuited. This can result in venting, leakage, explosion, fire and personal injury.
- Do not charge batteries. Attempting to charge a non-rechargeable (primary) battery can cause internal gas and/or heat generation resulting in leakage, venting, explosion, fire and personal injury.
- Do not force discharge batteries. When batteries are force discharged by means of an external power source the voltage of the battery will be forced below its design capability and gases will be generated inside the battery. This can result in leakage, venting, explosion, fire and personal injury.
- Do not mix new and used batteries or batteries of different types or brands. When replacing batteries, replace all of them at the same time with new batteries of the same brand and type. When batteries of different brand or type are used together or new and used batteries are used together, some batteries might be over-discharged / force discharged due to a difference of voltage or capacity. This can result in leakage, venting, explosion, fire and personal injury.

- Exhausted batteries should be immediately removed from equipment and properly disposed of. When discharged batteries are kept in the equipment for a long time electrolyte leakage can occur causing damage to the equipment and/or personal injury.
- Do not heat batteries. When a battery is exposed to heat, leakage, venting, explosion or fire can occur and cause personal injury.
- Do not weld or solder directly to batteries. The heat from welding or soldering directly to a battery can cause leakage, venting, explosion or fire, and can cause personal injury.
- Do not dismantle batteries. When a battery is dismantled or taken apart, contact with the components can be harmful and can cause personal injury or fire.
- Do not deform batteries. Batteries should not be crushed, punctured, or otherwise mutilated. Such abuse can cause leakage, venting, explosion or fire and can cause personal injury.
- Do not dispose of batteries in fire. When batteries are disposed of in fire, the heat build-up can cause explosion and/or fire and personal injury. Do not incinerate batteries except for approved disposal in a controlled incinerator.
- Always select the correct size and grade of battery most suitable for the intended use. Information provided with the equipment to assist correct battery selection should be retained for reference.
- Clean the battery contacts and those of the equipment prior to battery installation.
- Remove batteries from equipment which is not to be used for an extended period of time.

## Disposal



The Waste Electrical and Electronic Equipment (WEEE) Directive aims to minimise the impact of electrical and electronic goods on the environment, by increasing re-use and recycling and by reducing the amount of WEEE going to landfill. The symbol on this product or its packaging signifies that this product must be disposed separately from ordinary household wastes at its end of life. Be aware that this is your responsibility to dispose of electronic equipment at recycling centers in order to conserve natural resources. Each country should have its collection centers for electrical and electronic equipment recycling. For information about your recycling drop off area, please contact your related electrical and electronic equipment waste management authority, your local city office, or your household waste disposal service.

## Battery Disposal



Do not dispose of used batteries with your household waste. Take them to an appropriate disposal/collection site.

# Specifications

English

Power Supply - Mouse: 3 V (2 x 1.5 V AAA battery)

Power Supply - Keyboard: 3 V (2 x 1.5 V AAA battery)

Current consumption - Mouse: 30 mA

Current consumption - Keyboard: 50 mA

Weight - Mouse: 55 g (0.12 lbs)

Weight - Keyboard: 0.47 kg (1.05 lbs)

Français

Deutsch

Dimensions- Mouse: 9.5 x 5.9 x 3.4 cm  
(3.7 x 2.3 x 1.3 in)

Dimensions- Keyboard: 44.9 x 14.2 x 2.3 cm  
(17.7 x 5.6 x 0.9 in)

Italiano

Encryption: AES128

OS compatibility: Windows® 10 / 8 / 7

Transmission power: 1 mW

Español

Frequency band: 2.4 GHz  
(2.402 GHz - 2.480 GHz)

Nederlands

日本語



# Warranty Information

To obtain a copy of the warranty for this product:



**US:** [amazon.com/AmazonBasics/Warranty](https://amazon.com/AmazonBasics/Warranty)

**UK:** [amazon.co.uk/basics-warranty](https://amazon.co.uk/basics-warranty)



**US:** +1-866-216-1072

**UK:** +44 (0) 800-279-7234

## Feedback and Help

Love it? Hate it? Let us know with a customer review.

AmazonBasics is committed to delivering customer-driven products that live up to your high standards. We encourage you to write a review sharing your experiences with the product.



**US:** [amazon.com/review/review-your-purchases#](https://amazon.com/review/review-your-purchases#)

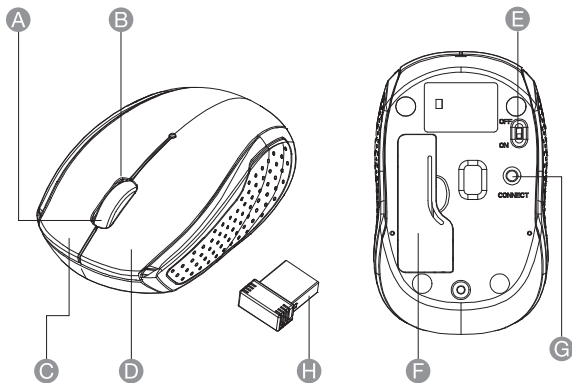
**UK:** [amazon.co.uk/review/review-your-purchases#](https://amazon.co.uk/review/review-your-purchases#)



**US:** [amazon.com/gp/help/customer/contact-us](https://amazon.com/gp/help/customer/contact-us)

**UK:** [amazon.co.uk/gp/help/customer/contact-us](https://amazon.co.uk/gp/help/customer/contact-us)

## Liste Des Composants - Souris



**A** Molette de défilement

**B** Voyant LED

**C** Bouton de droite

**D** Bouton de gauche

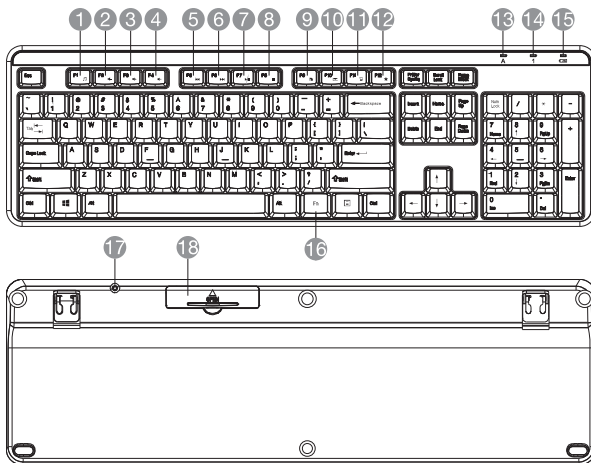
**E** Commutateur ON/OFF

**F** Couvercle de la pile

**G** Bouton CONNECT

**H** Récepteur nano

# Liste Des Composants - Clavier



English

Français

Deutsch





Italiano

Español

Nederlands

日本語

- |   |  |   |
|---|--|---|
| ① |  | Pour allumer le programme du lecteur multimédia |
| ② |  | Pour réduire le volume                          |
| ③ |  | Pour augmenter le volume                        |
| ④ |  | Pour couper le son                              |
| ⑤ |  | Piste précédente                                |
| ⑥ |  | Piste suivante                                  |
| ⑦ |  | Pour lire/mettre en pause la lecture multimédia |

|          |    |   |  |  |
|----------|----|---|--|--|
| English  | 8  | ■   | Pour interrompre la lecture multimédia                                     |  |
|          | 9  |  | Pour lancer le navigateur Internet par défaut et charger la page d'accueil |  |
| Français | 10 |  | Pour lancer le logiciel de messagerie par défaut                           |  |
|          | 11 |  | Pour ouvrir le dossier « Mon ordinateur »                                  |  |
|          | 12 | ★   | Pour ouvrir « Mes favoris » dans le navigateur                             |  |
| Deutsch  | 13 | A   | Voyant LED   | Majuscule activée  |
|          | 14 | 1   | Voyant LED   | Clavier numérique activé                                     |
| Italiano | 15 |  | Voyant LED   | Faible niveau de charge de la pile et indicateur de couplage |
|          | 16 | Fn  | Pour activer la seconde fonction des touches de fonctions                  |  |
| Español  | 17 | Bouton CONNECT  |  | Pour établir le couplage avec le récepteur nano              |
|          | 18 | Couvercle des piles   |  |  |

**REMARQUE**

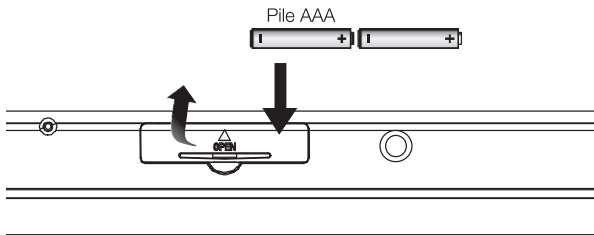
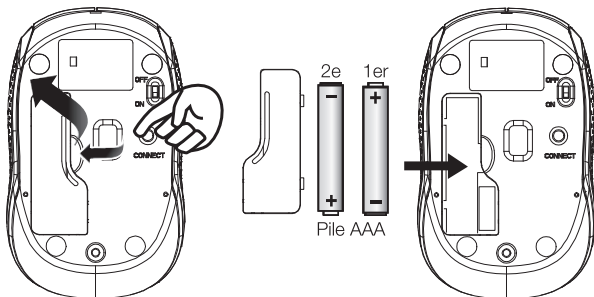
Appuyez sur **Fn** + n'importe quelle touche de fonction (1 à 12) pour activer la fonction secondaire de chaque touche.

# Installation

## Installation Des Piles

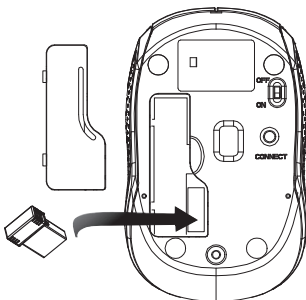
### REMARQUE

- Achetez toujours la taille et la catégorie de pile qui conviennent le mieux à l'utilisation prévue.
- Nettoyez les contacts de la pile ainsi que ceux de l'appareil avant d'insérer la pile.
- Assurez-vous que la polarité (+ et -) des piles est respectée.
- Retirez les piles de tout équipement non utilisé pendant une période prolongée. Enlevez sans délai les piles usagées.



1. Retirez le couvercle des piles.
2. Insérez les piles correctement en respectant la polarité (+ et -) figurant sur les piles et sur le produit.
3. Remplacez le couvercle sur le compartiment des piles.
4. Positionnez le commutateur ON/OFF situé sur le côté inférieur de la souris sur ON.

## Couplage



1. Retirez le couvercle de la pile de la souris, puis retirez le récepteur nano.
2. Branchez le récepteur nano sur un port USB de votre ordinateur.

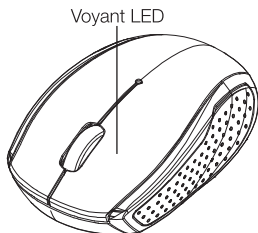
Si la connexion entre la souris et/ou le clavier et le récepteur échoue ou est interrompue, procédez comme suit :

1. Retirez le récepteur nano du port USB, puis branchez-le à nouveau.
2. Appuyez sur le bouton CONNECT de la souris et/ou du clavier.

### REMARQUE

Le voyant LED de la souris et du clavier clignote en mode couplage, et cesse de clignoter une fois le couplage avec le récepteur établi avec succès.

## Voyant LED de la souris



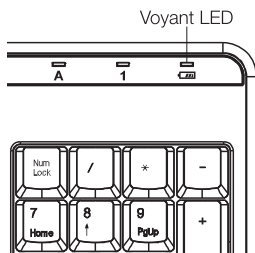
### Le voyant LED clignote

Pendant le couplage (le voyant LED s'éteint une fois le couplage établi avec succès ou si le couplage continue à échouer pendant plus de 10 secondes.)

### Le voyant LED clignote pendant 10 secondes.

Low battery warning

## Voyant LED du clavier



### Le voyant LED s'allume pendant 10 secondes.

Mise sous tension

### Le voyant LED clignote

Pendant le couplage (le voyant LED s'éteint une fois le couplage établi avec succès ou si le couplage continue à échouer pendant plus de 10 secondes.)

### Le voyant LED clignote pendant 10 secondes.

Avertisseur de faible niveau de charge de la pile

## Nettoyage et Entretien

- Nettoyez le produit à l'aide d'un chiffon sec et non pelucheux. Ne pas laisser d'eau ou tout autre liquide pénétrer à l'intérieur du produit.
- Ne pas utiliser de produits abrasifs, de solutions de nettoyage agressives ou de brosses dures pour le nettoyage.
- Nettoyez les contacts de la pile ainsi que ceux du produit avant d'installer la pile.

## Énoncé d'Industrie Canada (IC)

- Le présent appareil est conforme aux CNR d'Industrie Canada applicables aux appareils radio exempts de licence. L'exploitation est autorisée aux deux conditions suivantes :
  - (1) l'appareil ne doit pas produire de brouillage, et
  - (2) l'utilisateur de l'appareil doit accepter tout brouillage radioélectrique subi, même si le brouillage est susceptible d'en compromettre le fonctionnement.

## Déclaration UE de Conformité Simplifiée

- Le soussigné, Amazon EU Sarl, déclare que l'équipement radioélectrique du type B0787CVBWP, B0787HRQN4, B0787C4NW2, B0787HV5H4, B0787Y9JQM, B0787LHG5B est conforme à la directive 2014/53/UE.
- Le texte complet de la déclaration UE de conformité est disponible à l'adresse internet suivante : <https://www.amazon.fr/marque-privee-amazon-conformite-EU>

## Utilisation Prévue

Ce produit est un périphérique d'ordinateur sans fil conçu pour interagir avec votre ordinateur de bureau/ordinateur portable.



# Sécurité Et Conformité

Lisez attentivement le présent manuel d'utilisation avant d'utiliser le produit. Celui-ci comporte d'importantes informations relatives à votre sécurité ainsi qu'à l'utilisation et à l'entretien du produit. Respectez toutes les consignes de sécurité afin d'éviter tout endommagement résultant d'une mauvaise utilisation. Respectez tous les avertissements apposés sur le produit. Veuillez conserver le présent manuel d'utilisation afin de pouvoir vous y référer ultérieurement. En cas de cession de ce produit à un tiers, le présent manuel d'utilisation doit également lui être remis.

- N'utilisez jamais ce produit s'il est endommagé.
- N'insérez aucun objet étranger à l'intérieur du boîtier.
- Maintenez le produit à l'abri des températures extrêmes, des surfaces chaudes, des flammes nues, de la lumière directe du soleil, de l'eau, d'une humidité élevée, de l'humidité, des chocs violents et des gaz, vapeurs et solvants inflammables.
- Maintenez ce produit et son emballage hors de la portée des enfants et des animaux domestiques.



## AVERTISSEMENT

Ne pas regarder directement l'éclairage LED.

## Avertissements Relatifs à La Pile

- Il convient de garder les piles hors de portée des enfants. En particulier, gardez les piles susceptibles d'être avalées hors de portée des enfants. En cas d'ingestion d'une cellule de pile, consultez un médecin dans les plus brefs délais. L'ingestion de piles peut occasionner des brûlures chimiques, la perforation des muqueuses et, dans les cas les plus graves, la mort. Elles doivent être évacuées immédiatement en cas d'ingestion.

- Ne laissez pas les enfants remplacer les piles sans la surveillance d'un adulte.
- Insérez toujours les piles conformément à la polarité (+ et -) indiquée sur l'emballage et sur l'équipement. Lorsque les piles sont insérées dans le mauvais sens, elles peuvent subir un court-circuit ou se charger. Cela peut provoquer une surchauffe, une fuite, un dégazage, une rupture, une explosion, un incendie et des blessures.
- Ne pas court-circuiter les piles. Lorsque les bornes positive (+) et négative (-) d'une pile sont en contact électrique l'une avec l'autre, la pile est alors en court-circuit. Ainsi, des piles gardées en poche avec des clés ou des pièces de monnaie peuvent être mises en court-circuit. Cela peut conduire à un dégazage, une fuite, une explosion, des flammes ou des blessures.
- Ne pas recharger les piles. Toute tentative de chargement d'une pile non rechargeable (primaire) peut générer du gaz ou une élévation de la température à l'intérieur, entraînant des risques de fuite, de dégazage, d'explosion, d'incendie et de blessures.
- Ne pas forcer le déchargement des piles. Lorsqu'une pile est déchargée de force au moyen d'une source d'énergie externe, la tension de la pile est ramenée en dessous de sa capacité nominale et des gaz sont générés à l'intérieur de la pile. Cela peut causer une fuite, un dégazage, une explosion, un incendie ou des blessures.
- Ne mélangez pas les piles neuves avec les piles usagées, ni les piles de types différents ou de différentes marques. Lorsque vous remplacez les piles, remplacez-les toutes simultanément par des piles neuves de même marque et de même type. Lorsque des piles de marque ou de type différents sont utilisées ensemble, ou que des piles neuves et usagées sont utilisées ensemble, certaines piles peuvent se décharger excessivement ou de force en raison d'une différence de tension ou de capacité. Cela peut causer une fuite, un dégazage, une explosion, un incendie ou des blessures.

- Les piles usées doivent être immédiatement retirées de l'appareil, puis mises au rebut de façon adéquate. Lorsque des piles déchargées sont conservées longtemps dans l'équipement, une fuite d'électrolyte peut se produire et causer des dommages à l'équipement ou causer des blessures.
- Ne soumettez pas les piles à la chaleur. Lorsqu'une pile est exposée à la chaleur, une fuite, un dégazage, une explosion ou un incendie peuvent se produire et entraîner des blessures.
- Ne soudez ni ne raccordez rien directement aux piles. La chaleur dégagée par la soudure ou la brasure directement sur une pile peut provoquer une fuite, un dégazage, une explosion ou un incendie, et peut causer des blessures.
- Ne démontez pas les piles. Lorsqu'une pile est démontée ou désassemblée, tout contact avec les composants peut être dangereux et occasionner des blessures ou un incendie.
- Ne déformez pas les piles. Les piles ne doivent pas être écrasées, perforées ou détériorées de toute autre façon. Un tel manquement peut provoquer une fuite, un dégazage, une explosion ou un incendie et peut entraîner des blessures.
- Ne pas jeter de piles au feu. En cas d'incinération de piles, l'accumulation de chaleur peut entraîner des risques d'explosion, d'incendie et de blessures. N'incinérez pas les piles, excepté pour les éliminer dans un incinérateur adapté.
- Choisissez toujours la taille et la catégorie de pile qui conviennent le mieux à l'utilisation prévue. Les informations fournies avec l'équipement pour aider au choix au choix des piles adaptées doivent être conservées pour consultation ultérieure.
- Nettoyez les contacts de la pile ainsi que ceux de l'équipement avant d'insérer la pile.

- Retirez les piles de tout équipement non utilisé pendant une période prolongée.

## Mise Au Rebut



La directive relative aux déchets d'équipements électriques et électroniques (DEEE) vise à réduire au minimum l'impact des produits électriques et électroniques sur l'environnement, en augmentant la réutilisation et le recyclage et en réduisant la quantité de DEEE mis en décharge. Le symbole figurant sur ce produit ou sur son emballage signifie que ce produit doit être mis au rebut séparément des ordures ménagères ordinaires en fin de vie. Gardez à l'esprit que la responsabilité vous incombe de mettre au rebut les équipements électroniques dans des centres de recyclage afin de contribuer à la préservation des ressources naturelles. Chaque pays doit disposer de centres de collecte dédiés au recyclage des équipements électriques et électroniques. Pour plus d'informations sur les zones de recyclage de votre localité, veuillez contacter les autorités responsables de la gestion des déchets d'équipements électriques et électroniques de votre commune, votre mairie ou le service local de traitement des ordures ménagères.

### Information des consommateurs sur la règle de tri (pour la France)



**FR**  
Cet appareil,  
ses accessoires  
et sa pile se  
recyclent

À DÉPOSER  
EN MAGASIN

OU

À DÉPOSER  
EN DÉCHÈTERIE

Points de collecte sur [www.quefairedemesdechets.fr](http://www.quefairedemesdechets.fr)

# Mise au Rebut des Batteries



Ne mettez pas au rebut les batteries usagées avec vos déchets ménagers. Déposez-les à un point de collecte approprié.

## Caractéristiques

|                                     |                                    |
|-------------------------------------|------------------------------------|
| Alimentation - Souris :             | 3 V (2 x piles AAA de 1,5 V)       |
| Alimentation - Clavier :            | 3 V (2 x piles AAA de 1,5 V)       |
| Consommation de courant - Souris :  | 30 mA                              |
| Consommation de courant - Clavier : | 50 mA                              |
| Poids - Souris :                    | 55 g                               |
| Poids - Clavier :                   | 0,47 kg                            |
| Dimensions - Souris :               | 9,5 x 5,9 x 3,4 cm                 |
| Dimensions - Clavier :              | 44,9 x 14,2 x 2,3 cm               |
| Chiffrement :                       | AES128                             |
| Compatibilité OS :                  | Windows® 10 / 8 / 7                |
| Puissance de transmission :         | 1 mW                               |
| Bande de fréquence :                | 2,4 GHz<br>(2,402 GHz - 2,480 GHz) |

# Informations Sur La Garantie

Pour obtenir une copie de la garantie portant sur ce produit :



**FR : [amazon.fr/basics-garantie](https://amazon.fr/basics-garantie)**

**CA : [amazon.ca/AmazonBasics/Warranty](https://amazon.ca/AmazonBasics/Warranty)**



**FR : +33 (0) 800-947-715**

**CA : +1-877-586-3230**

## Vos Avis et Aide

Vous l'adorez ? Vous le détestez ? Faites-le nous savoir en laissant un commentaire.

AmazonBasics s'engage à vous offrir des produits axés sur les besoins de la clientèle et répondant à vos normes élevées. Nous vous encourageons à rédiger un commentaire visant à partager vos expériences sur le produit.



**FR : [amazon.fr/review/review-your-purchases#](https://amazon.fr/review/review-your-purchases#)**

**CA : [amazon.com/review/review-your-purchases#](https://amazon.com/review/review-your-purchases#)**



**FR : [amazon.fr/gp/help/customer/contact-us](https://amazon.fr/gp/help/customer/contact-us)**

**CA : [amazon.ca/gp/help/customer/contact-us](https://amazon.ca/gp/help/customer/contact-us)**

# amazon basics

[amazon.com/AmazonBasics](https://amazon.com/AmazonBasics)

MADE IN CHINA  
FABRIQUÉ EN CHINE  
HERGESTELLT IN CHINA  
PRODOTTO IN CINA  
HECHO EN CHINA  
GEMAAKT IN CHINA  
中国製



V14-12/22

