

Acrox Technologies Co., Ltd.

Specification For Approval

Provider: Acrox Technologies Co., Ltd.

Model No.: GMY

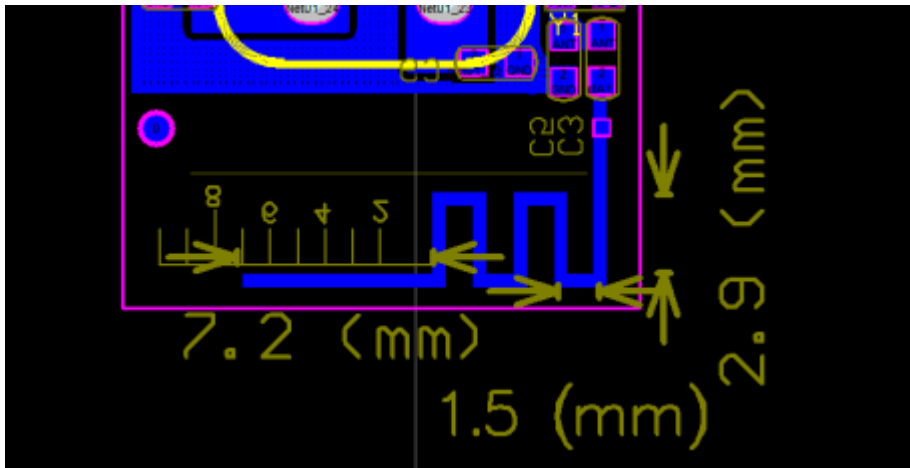
Part name: PCB Antenna

—

Approval: Acrox Technologies Co., Ltd.

Date: 2022-9-27

Structure Drawing



RF Antenna Assembly

Test/Position	Gain/Free Space		
	2408	2440	2474
Frequency(MHz)	2408	2440	2474
Ant. Port Input Pwr.(dBm)	0.00	0.00	0.00
Tot.Rad.Pwr.(dBm)	-5.4546	-4.3421	-4.2606
Peak EIRP(dBm)	1.5532	2.6739	2.2041
Directivity(dBi)	7.0077	7.0159	6.4648
Efficiency(dB)	-5.4546	-4.3567	-4.2606
Efficiency(%)	28.48	36.796	37.492
Gain(dBi)	-1.55	-2.67	-2.20

