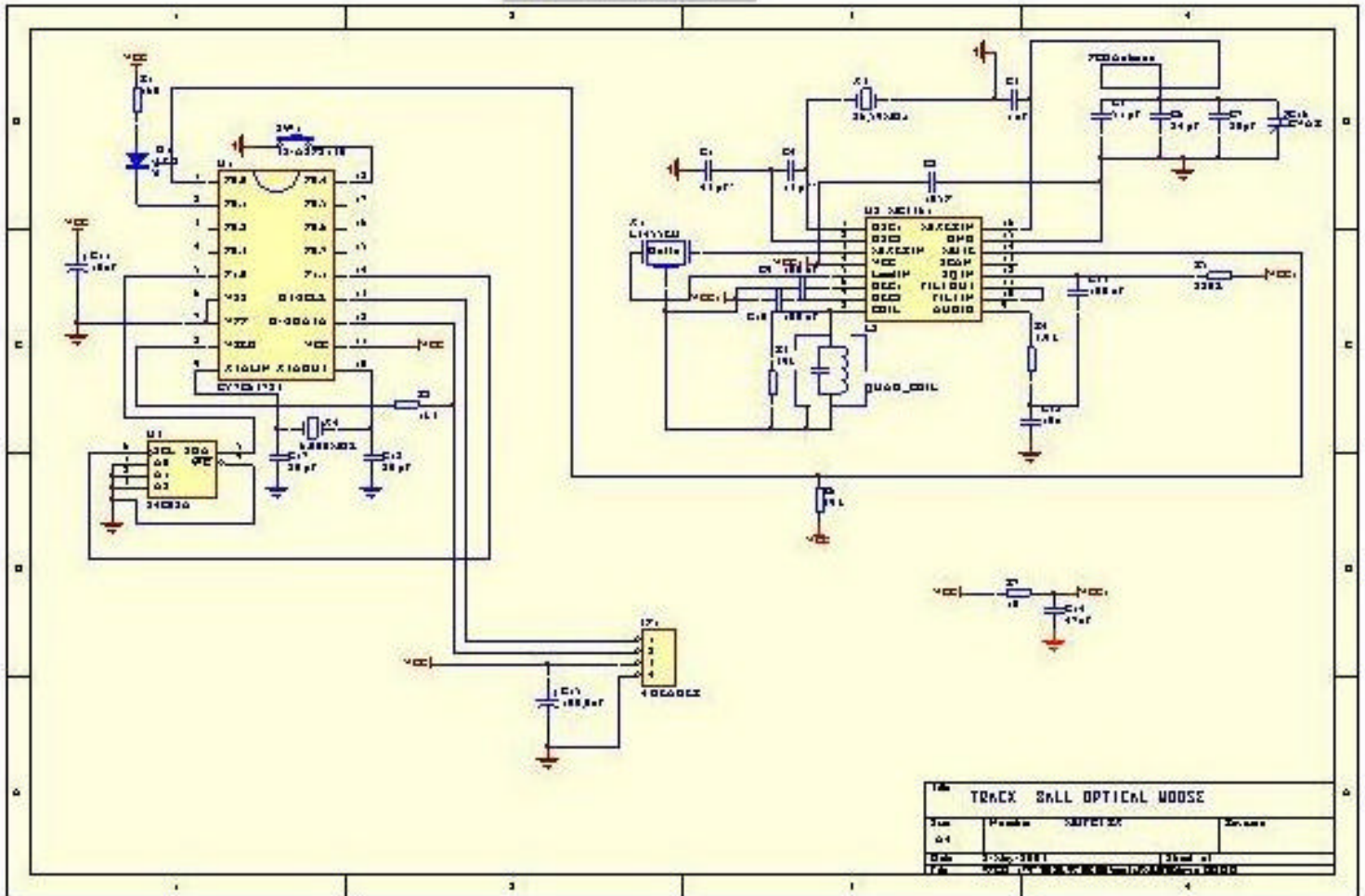
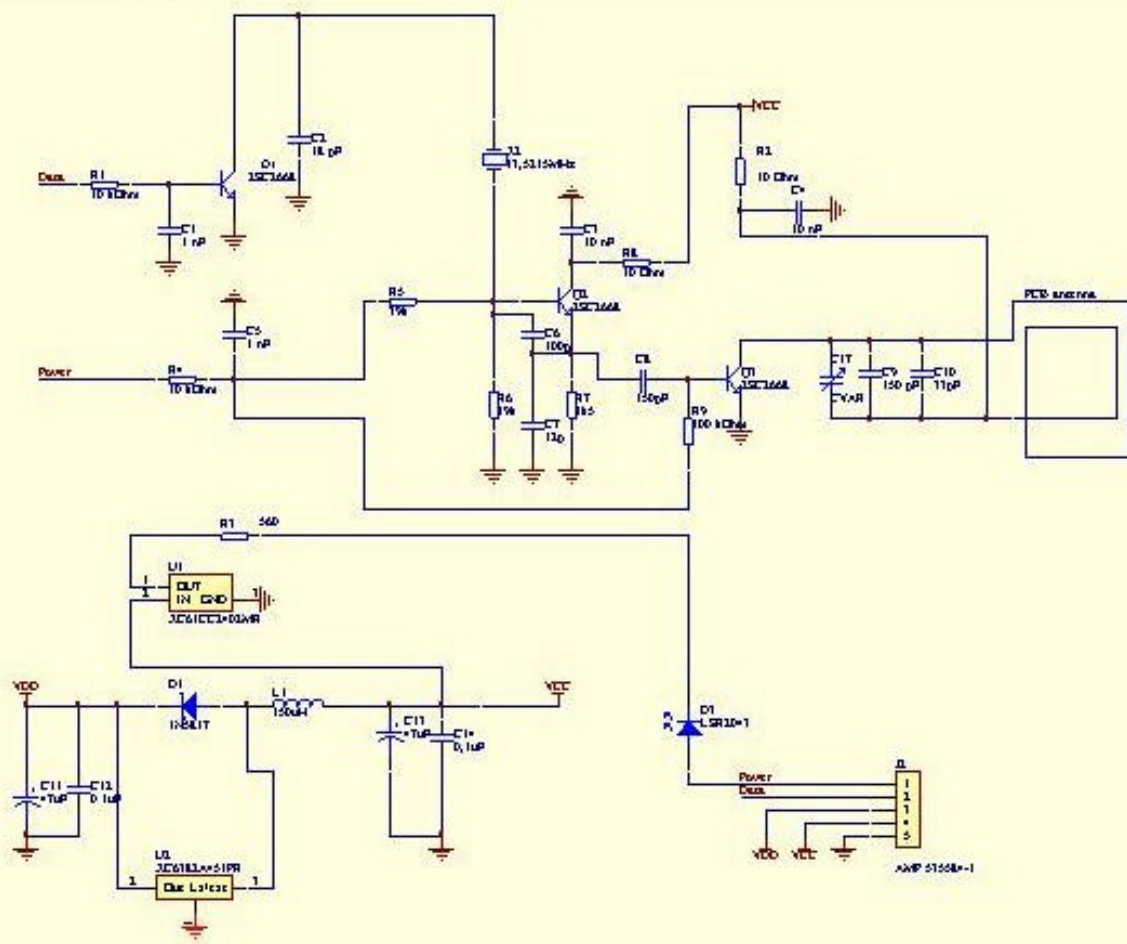


MUFCT_rx.DDB



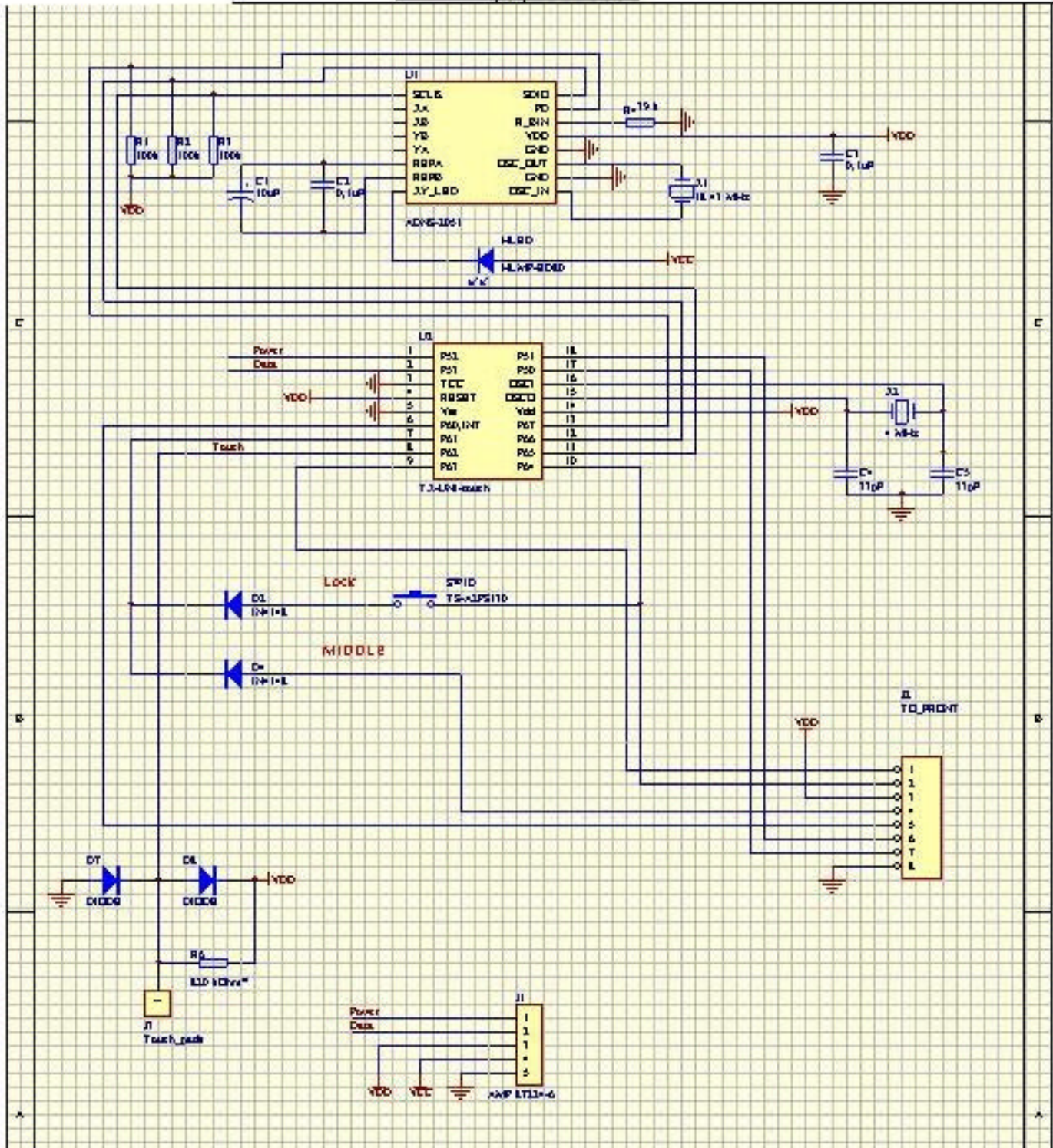
TRAX BALL OPTICAL MOOSE			
File	Project	Sheet of	Sheet
MUFCT	MUFCT.DDB	1	1
Date	2000-08-11	Time of	
Time	10:00:00	Author	



APPROV	DESIGN	DRAWER
		ANLI

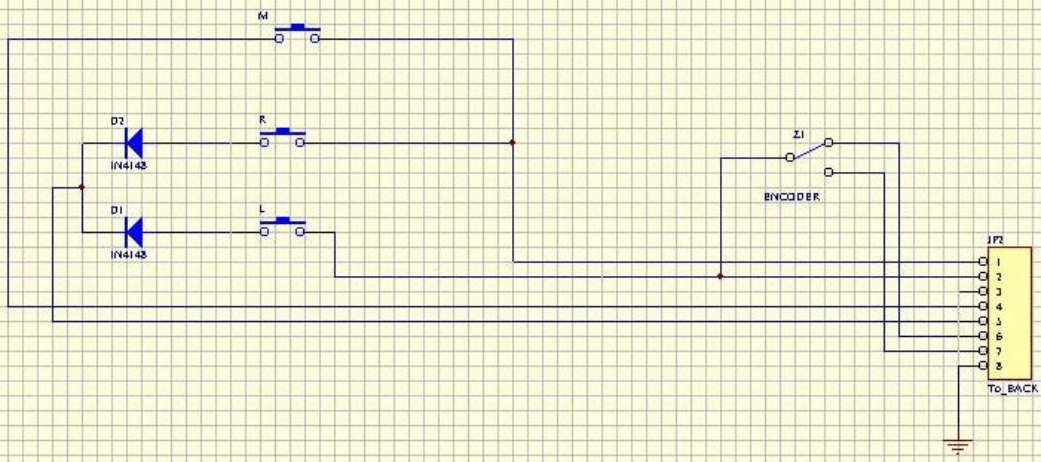
Title	TRACE BALL OPTICAL MOUSE	MUC-Y1-D
Size	Number	Revision
A1	MUFCT TOP	Y1 1

MUFCT_back.DDB



Title		
MUFCTOUCH		
Size	Number	Revision
01	TOUCH ON BACK	
Date:	1-May-2001	Sheet of
1/1		

MUFCT_front.DDB



APPROV	DESIGN	DRAWING
		ANLI

Title			
SCROLL OPTICAL MOUSE			
Size	Number	Revision	
A4	MUFCT_FRONT	VD.1	
Date	2-May-2000	Sheet of	
File	MPCB ITX 118.30.434.asd from MUFCT front.DDB	Drawn By	