

MEASUREMENT REPORT
of
BLUETOOTH LASER MOUSE

Applicant : Acrox Technologies Co., Ltd.
FCC ID : PRDMTM0060425
Model : MTM ; AMB03XX

Tested by :

Training Research Co., Ltd.

TEL : 886-2-26935155 FAX : 886-2-26934440

No. 255, Nanyang Street, Shijr, Taipei Hsien 221, Taiwan, R.O.C.


CERTIFICATION

We here by verify that:

The test data, data evaluation, test procedures and equipment configurations shown in this report were made mainly in accordance with the procedures given in ANSI C63.4 (2003) as a reference. All test were conducted by *Training Research Co., Ltd., No. 255, Nanyang Street, Shijr, Taipei Hsien 221, Taiwan, R.O.C.* Also, we attest to the accuracy of each.

We further submit that the energy emitted by the sample EUT tested as described in the report is **in compliance with** the technical requirements set forth in the FCC Rules Part 15 Subpart B (Declaration of Conformity) and Subpart C Section 15.247.

Applicant : Acrox Technologies Co., Ltd.
Applicant address : 8F, No. 437, Rui Guang Road, Nei Hu District, Taipei 114, Taiwan
Report No. : A8515060056
Test Date : April 24, 2006

Prepared by: 
Jack Tsai

Approved by: 
Frank Tsai

Conditions of issue :

- (1) *This test report shall not be reproduced except in full, without written approval of TRC. And the test result contained within this report only relate to the sample submitted for testing.*
- (2) *This report must not be used by the client to claim product endorsement by NVLAP or any agency of U.S. Government.*
- (3) *This test report, measurements made by TRC are traceable to the NIST only Conducted and Radiated Method.*



Federal Communications Commission

Declaration of Conformity

for the following equipment:

Product name : Bluetooth Laser Mouse
 Trade name : Acrox ; Targus
 Model name : MTM ; AMB03XX

Is herewith confirmed and found to comply with the requirements of CFR 47 part15 Subpart B - Unintentional Radiators regulation. The results of electromagnetic mission evaluation are shown in the report number : A8515060056

This device complies with Part 15 of the FCC Rules. Operation is subject to the following two conditions:

- (1) This device may not cause harmful interference, and
- (2) This device must accept any interference received, including interference that may cause undesired operation

Manufacturer	USA local representative
Company name: Dongguan Acrox Technology Co. Ltd. China	To be determined
Computer address:	
ZIP / Postal code	
Contact person:	
Title:	
Internet e-mail address:	
Tel / Fax:	

Tables of Contents

I. GENERAL	6
1.1 Introduction	6
1.2 Description of EUT	6
1.3 Test method	7
1.4 Description of Support Equipment	8
1.5 Configuration of System Under Test	10
1.6 Verify the Frequency and Channel.....	12
1.7 Test Procedure	13
1.8 Location of the Test Site	13
1.9 General Test Condition	13
II. Section 15.101(a): Equipment authorization of unintentional radiators	14
III. Section 15.203 : Antenna Requirement.....	15
IV. Section 15.207 : Power Line Conducted Emissions for AC Powered Units	16
4.1 Test Condition & Setup	16
4.2 List of Test Instruments	17
4.3 Test Results of Conducted Emissions	18
V. Section 15.247(a) : Technical Description of the EUT	19
VI. Section 15.247(a)(1) : Carrier Frequency Separation.....	20
6.1 Test Condition	20
6.2 Test Instruments Configuration	20
6.3 List of Test Instruments	21
6.4 Test Results	21
VII. Section 15.247(a)(1)(ii) : Number of Hopping Frequencies	22
7.1 Test Condition	22
7.2 List of Test Instruments	22
7.3 Test Instruments Configuration	22
7.4 Test Results	23

VIII. Section 15.247(a)(1)(ii) : Time of Occupancy (Dwell time)	24
8.1 Test Condition	24
8.2 List of Test Instruments	24
8.3 Test Instruments Configuration	25
8.4 Test Results	25
IX. Section 15.247(a)(1)(ii) : 20dB Bandwidth	29
9.1 Test Condition	29
9.2 Test Instruments Configuration	29
9.3 List of Test Instruments	30
9.4 Test Results	30
X. Section 15.247(b) : Peak Output Power	33
10.1 Test Condition & Setup	33
10.2 List of Test Instruments	33
10.3 Test Results	34
XI. Section 15.247(c) : Band-edge Compliance	35
11.1 Test Condition & Setup	35
11.2 List of Test Instruments	35
11.3 Test Instruments Configuration	36
11.4 Test Results	36
XII. Section 15.247(c) : Spurious Radiated Emissions	39
12.1 Test Condition & Setup	39
12.2 List of Test Instruments	41
12.3 Test Results of Spurious Radiated Emissions	42
XIII. Section 15.247(d) : Power Spectral Density	52
13.1 Test Condition & Setup	52
13.2 Test Instruments Configuration	52
13.3 List of Test Instruments	52
13.4 Test Result of Power Spectral Density	53

I . GENERAL

1.1 Introduction

The following measurement report is submitted on behalf of applicant in support that the certification in accordance with Part 2 Subpart J and Part 15 Subpart A, B and C of the Commission's Rules and Regulations.

1.2 Description of EUT

FCC ID : PRDMTM0060425

Product Name : Bluetooth Laser Mouse

Model : MTM ; AMB03XX

Frequency Range : 2402MHz to 2480MHz

Support Channel : 79 Channels

Channel Spacing : 1MHz

Modulation Skill : GFSK

Power Type : Powered by 1.5V batteries (SIZE AAA*2),
(Powered by USB of PC when charging the batteries)

Data Cable : USB charge cable x 1, 151cm length, shielded, no ferrite core

1.3 Test method

A) Charging the Batteries:

- (1) Put two batteries into the battery cell.
- (2) Plug in the USB charge cable to the mouse and connect the other end to the USB of computer.
- (3) Using PC and software provided by the applicant to linking EUT. The software is operated under the Windows to linking the EUT in the conducted test and radiated for unintentional test (charging mode).

B) EUT Only: (Radiated for intentional test)

- (4) Powered by batteries.
- (5) The notebook PC and test fixture is connected by RS-232 cable, and then test fixture connected with EUT setting test mode.
- (6) The Notebook PC and test fixture is moving when test mode set finish. The software provided by the manufacturer, the test is performed under the specific conditions.
- (7) Set different channel (CH1/CH40/CH79) and making EUT to the mode of continuous transmission.

1.4 Description of Support Equipment

In order to construct the minimum testing, following equipment were used as the support units.

PC : **IBM 8434**
Model No. : IVG
Serial No. : 99CCZA3
FCC ID : DoC (Declaration of Confirmation) Approved
BSMI : R33026
Power type : 100 ~ 127VAC/6A, 200 ~ 240VAC/3A, 50 ~ 60Hz, Switching
Power cord : Non-shielded, 1.8m length, Plastic hood, No ferrite core

Monitor : **HP 15' Color Monitor**
Model No. : D8894A
Serial No. : CN02364355
FCC ID : ARSCM356N
BSMI : 3882A031
Power type : 100 ~ 240 VAC / 1.5A, 50 ~ 60 Hz, Switching
Power cord : Non-shielded, 1.80m length, Plastic hood, No ferrite core
Data cable : Shielded, 1.50m length, Plastic hood, with ferrite core

Printer : **EPSON**
Model No. : B241A
Serial No. : FAPY155090
FCC ID : N/A, DoC Approved
BSMI : R33126
Power type : Switching adaptor
Power cord : Non-shielded, 198cm length, No ferrite core
Data cable : Shielded, 1.50m length, No ferrite core

PS/2 Mouse : HP
Model No. : M-UR89, M-S69
Serial No. : LZS21750238, 334684-002 323614-001
FCC ID : DoC Approved
BSMI : 3892D767, R41126
Power type : By PC
Power cord : Shielded, 1.90m length, No ferrite core

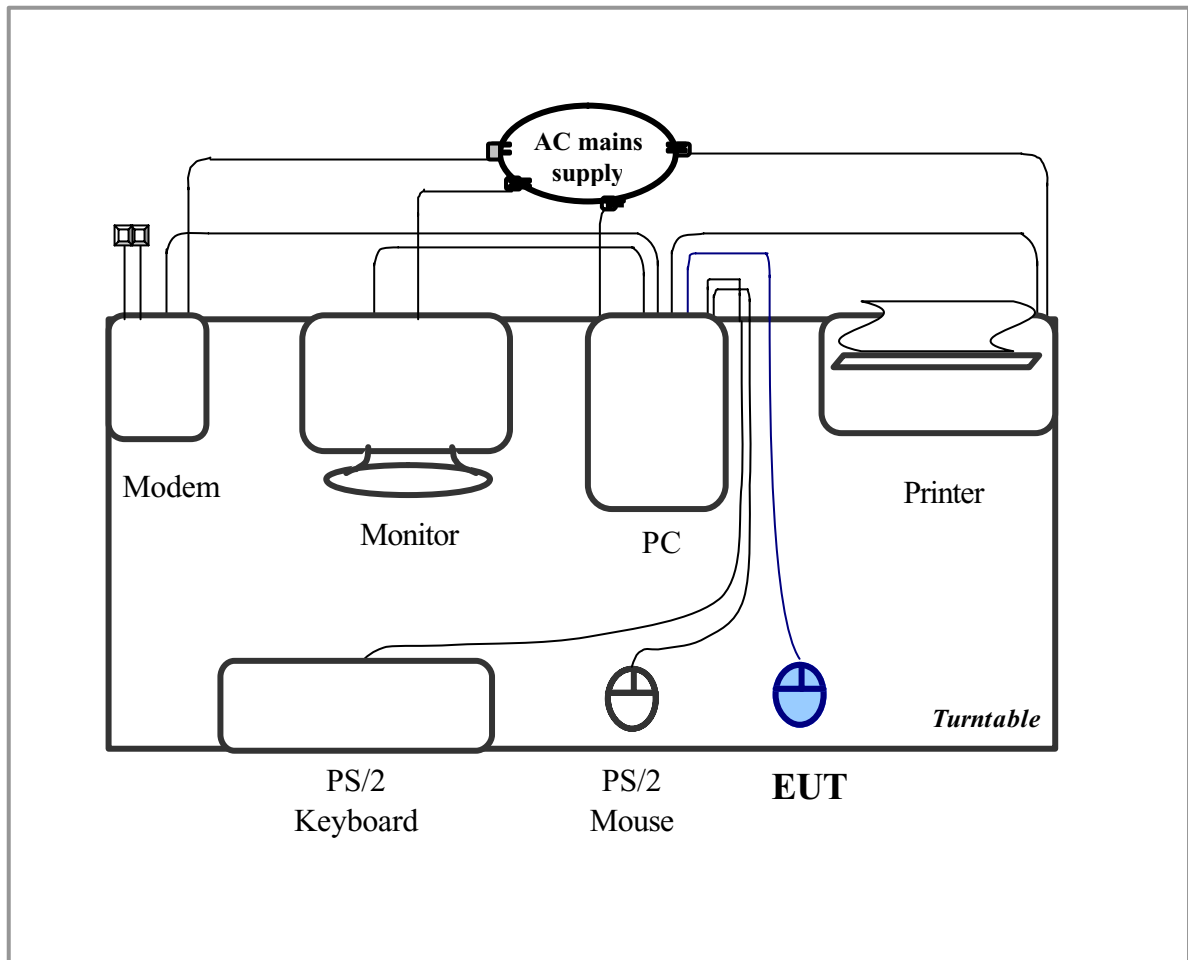
PS/2 Keyboard : HP
Model No. : 5187-0343, KB0133
Serial No. : 265987-AB1 Tch 323686-AB1, B69360MGAPW0HF
FCC ID : DoC Approved
BSMI : 3892C981, R31310
Power type : By PC
Data cable : Shielded, 1.85m length, no ferrite core

Modem : ACEEX
Model No. : DM-1414
Serial No. : 9010583
FCC ID : IFAXDM1414
Power type : Linear
Power cord : Non-shielded, 1.9m length, No ferrite cord
Data cable : RS232, Shielded, 1.2m length, No ferrite core
RJ11C x 2, 7' length non-shielded, No ferrite core

USB Game pad : Logitech
Model No. : G-UC3B
Serial No. : AE3500500
FCC ID : DoC Approved
BSMI : 4902A047
Power Cable : Shielded, 187cm length, Plastic hood, No ferrite core.

1.5 Configuration of System Under Test

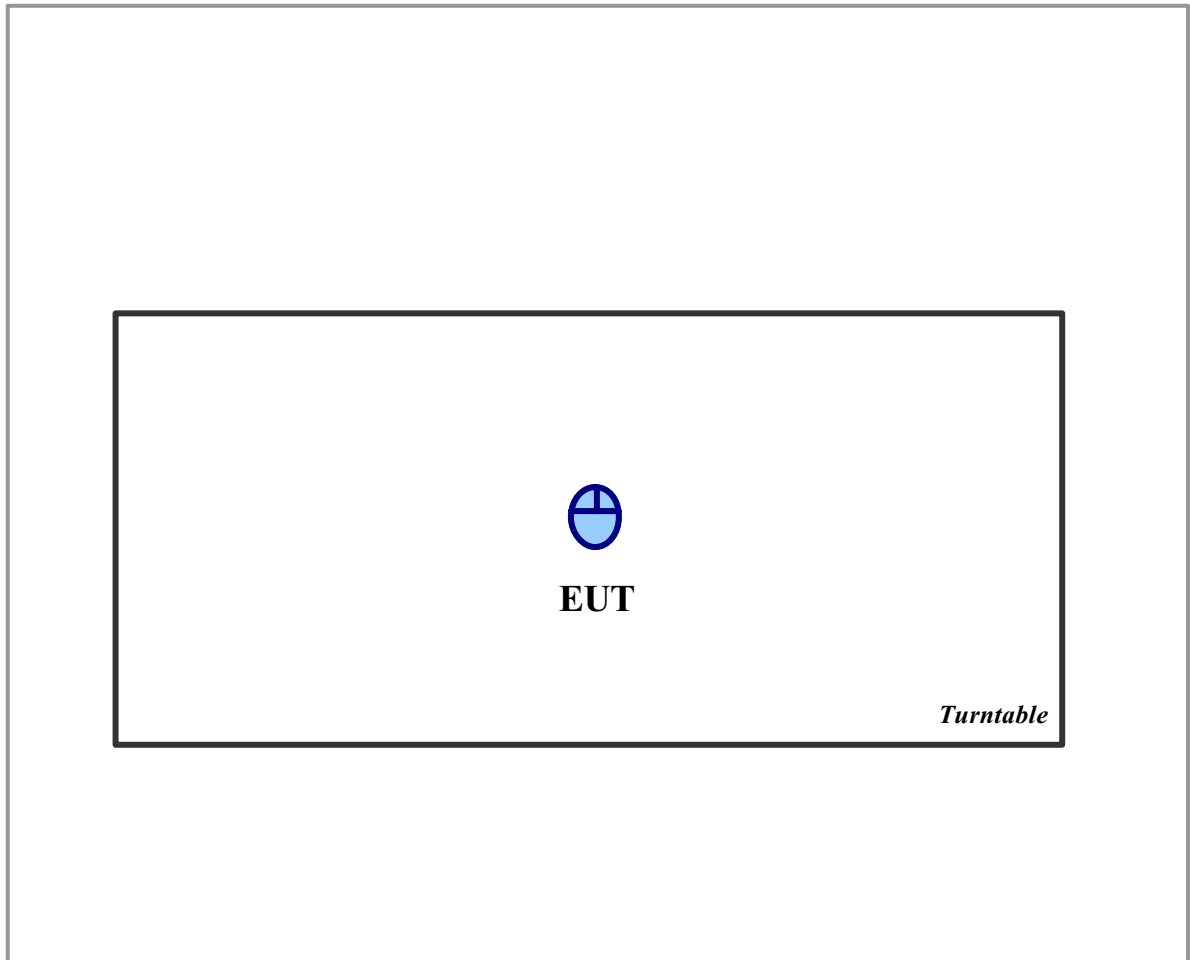
1.5.1 Conducted and Radiated for Unintentional (Charging mode)



Connections of Equipment

- PC:**
- *Parallel Port a printer
 - *VGA Port a monitor
 - *Serial Port an external modem
 - *USB#1 Port **EUT**
 - *PS/2-key Port a PS/2 keyboard
 - *PS/2-mouse Port a PS/2 mouse

1.5.2 Radiated of Unintentional



1.6 Verify the Frequency (MHz) and Channel

CH	0	1	2	3	4	5	6	7	8	9
0		2402	2403	2404	2405	2406	2407	2408	2409	2410
1	2411	2412	2413	2414	2415	2416	2417	2418	2419	2420
2	2421	2422	2423	2424	2425	2426	2427	2428	2429	2430
3	2431	2432	2433	2434	2435	2436	2437	2438	2439	2440
4	2441	2442	2443	2444	2445	2446	2447	2448	2449	2450
5	2451	2452	2453	2454	2455	2456	2457	2458	2459	2460
6	2461	2462	2463	2464	2465	2466	2467	2468	2469	2470
7	2471	2472	2473	2474	2475	2476	2477	2478	2479	2480

Note:

1. This is for confirming that all frequencies are in 2.402GHz to 2.480GHz.
2. Section 15.31(m): Measurements on intentional radiators or receivers shall be performed at three frequencies for operating frequency range over 10 MHz.
(The locations of these frequencies one near the top, one near the middle and one near the bottom.)
3. After test, the EUT operating frequencies are in 2.402GHz to 2.480GHz. So all the items as followed in testing report are need to test these three frequencies:
Top: Channel – 01; Middle: Channel – 40; Bottom: Channel – 79.

1.7 Test Procedure

All measurements contained in this report were performed mainly according to the techniques described in ANSI C63.4 (2003) and the pre-setup was written on 1.3 test method, the detail setup was written on each test item.

1.8 Location of the Test Site

The radiated emissions measurements required by the rules were performed on the **three-meter, Anechoic Chamber (FCC Registration Number: 93906)** maintained by *Training Research Co., Ltd.* 1F, No. 255 Nanyang Street, Shijr, Taipei Hsien 221, Taiwan, R.O.C. Complete description and measurement data have been placed on file with the commission. The conducted power line emissions tests and other test items were performed in a anechoic chamber also located at Training Research Co., Ltd.

No. 255 Nanyang Street, Shijr, Taipei Hsien 221, Taiwan, R.O.C. *Training Research Co., Ltd.* is listed by the FCC as a facility available to do measurement work for others on a contract basis.

1.9 General Test Condition

The conditions under which the EUT operates were varied to determine their effect on the equipment's emission characteristics. The final configuration of the test system and the mode of operation used during these tests were chosen as that which produced the highest emission levels. However, only those conditions, which the EUT was considered likely to encounter in normal use were investigated.

There is a test condition apply in this test item, the test procedure description as <1.3 test method>. Three channels were tested, one in the top (CH1), one in the middle (CH40) and the other in bottom (CH79).

II. Section 15.101(a): Equipment authorization of unintentional radiators

The EUT equipped with a USB interface and should be operated with the computer. It was categorized to *Class B personal computers and peripherals* as cannot be operated stand-alone. The authorization requires **Declaration of Conformity (DoC)** and the items required such as Section 15.107 (Conducted limits) and Section 15.109 (Radiated emission limits) is same as Section 15.207 and 15.247(C).

III. Section 15.203: Antenna requirement

The EUT has an integrated antenna permanently attached on the PCB, which inside the housing. In addition, there is no external antenna or connector employed. The antenna requirement stated in Sect.15.203 is inapplicable to this EUT.

IV. Section 15.207: Power Line Conducted Emissions for AC Powered Units

4.1 Test Condition & Setup

The power line conducted emission measurements were performed in an anechoic chamber. The EUT was assembled on a wooden table, which is 80 centimeters high, was placed 40 centimeters from the backwall and at least 1 meter from the sidewall.

Power was fed to the EUT from the public utility power grid through a line filter and Line Impedance Stabilization Networks (LISNs). The LISN housing, measuring instrumentation case, ground plane, etc., were electrically bonded together at the same RF potential. The Spectrum analyzer (or EMI receiver) was connected to the AC line through an isolation transformer. The 50-ohm output of the LISN was connected to the spectrum analyzer directly. Conducted emission levels were in the CISPR quasi-peak and average detection mode. The analyzer's 6 dB bandwidth was set to 9 KHz. No post-detector video filter was used.

The spectrum was scanned from 150 KHz to 30 MHz. The physical arrangement of the test system and associated cabling was varied (within the scope of arrangements likely to be encountered in actual use) to determine the effect on the unit's emanations in amplitude and frequency. All spurious emission frequencies were observed. The highest emission amplitudes relative to the appropriate limit were measured and have been recorded in paragraph 4.3

There is a test condition apply in this test item, the test procedure description as <1.3 test method>. Three channels were tested, one in the top (CH1), one in the middle (CH40) and the other in bottom (CH79).

4.2 List of Test Instruments

				<u>Calibration Date</u>
Instrument Name	Model	Brand	Serial No.	Next time
EMI Receiver	8546A	HP	3520A00242	06/01/06
RF Filter Section	85460A	HP	3448A00217	06/01/06
LISN (EUT)	LISN-01	TRC	99-05	12/10/06
LISN (Support E.)	LISN-01	TRC	9912-03, 04	11/26/06
Pre-amplifier	15542 ZFL-500	Mini – Circuits	0 0117	05/20/06
6dB Attenuator	MCL BW-S6W2	Mini – Circuits	9915 – Conducted	05/20/06
10dB Attenuator	A5542 VAT010	Mini – Circuits	0215 – Conducted	05/20/06
Coaxial Cable (2.0 meter)	A30A30-0058-50FS-2M	Jyebao	SMA-08	05/20/06
Coaxial Cable (1.1 meter)	A30A30-0058-50FS-1M	Jyebao	SMA-09	05/20/06
Coaxial Cable (20 meter)	RG-214/U	Jyebao	NP-01	05/20/06
Coaxial Cable (20 meter)	RG-214/U	Jyebao	NP-02	05/20/06
Auto Switch Box (< 30MHz)	ASB-01	TRC	9904-01	05/20/06

4.3 Test Result of Power Line Conducted Emissions

The following table shows a summary of the highest emissions of power line conducted emissions on the LIVE and NETURAL conductors of the EUT power cord. The test data only recorded worst case in report.

Test Conditions: Temperature : 25 °C Humidity : 73 % RH

Test mode: Charging mode

<i>Power Connected Emissions</i>					<i>FCC Class B</i>		
<i>Conductor</i>	<i>Frequency (KHz)</i>	<i>Peak (dBµV)</i>	<i>QP (dBµV)</i>	<i>Average (dBµV)</i>	<i>QP-limit (dBµV)</i>	<i>AVG-limit (dBµV)</i>	<i>Margin (dB)</i>
Line 1	199.000	35.45	---	---	64.60	54.60	-19.15
	267.000	34.14	---	---	62.66	52.66	-18.52
	331.000	37.26	---	---	60.83	50.83	-13.57
	533.000	35.75	---	---	56.00	46.00	-10.25
	795.000	34.30	---	---	56.00	46.00	-11.70
	1398.000	33.27	---	---	56.00	46.00	-12.73
	3819.000	31.14	---	---	56.00	46.00	-14.86
	6170.000	30.66	---	---	60.00	50.00	-19.34
	9880.000	41.95	---	---	60.00	50.00	-8.05
	17260.000	32.44	---	---	60.00	50.00	-17.56
Line 2	201.000	34.19	---	---	64.54	54.54	-20.35
	334.000	30.90	---	---	60.74	50.74	-19.84
	537.000	31.72	---	---	56.00	46.00	-14.28
	998.000	30.22	---	---	56.00	46.00	-15.78
	1534.000	32.37	---	---	56.00	46.00	-13.63
	2458.000	30.29	---	---	56.00	46.00	-15.71
	4053.000	31.98	---	---	56.00	46.00	-14.02
	7430.000	32.81	---	---	60.00	50.00	-17.19
	9880.000	42.72	---	---	60.00	50.00	-7.28
	17170.000	31.91	---	---	60.00	50.00	-18.09

NOTE:

- (1)Margin = Peak Amplitude – Limit, *The reading amplitudes are all under limit.*
- (2)A "+" sign in the margin column means the emission is OVER the Class B Limit and "-" sign of means UNDER the Class B limit

V. Section 15.247 (a): Technical description of the EUT

Based on the Section 2.1, *Frequency Hopping Spectrum System* is a spread spectrum system in which the carrier has been modulated by a *high speed spreading code* and an *information data stream* with its *known hopping algorithm* and *avoidance method*. The high speed code sequence dominates the “modulating function” and is the direct cause of the wide spreading of the transmitted signal. In the *operational description* demonstrates the operation principles of the base-band processor employed by the EUT, shows that which is a complete FHSS base-band processor and meets the definition of the *Frequency Hopping Spectrum System*.

VI. Section 15.247(a)(1): Carrier Frequency Separation

6.1 Test Condition

The EUT must have its hopping function enabled. Use the following spectrum analyzer setting

Span = wide enough to capture the peaks of two adjacent channels

Resolution (or IF) bandwidth (RBW) \geq 1% of the span

Video (or Average) Bandwidth (VBW) \geq RBW

Sweep = Auto

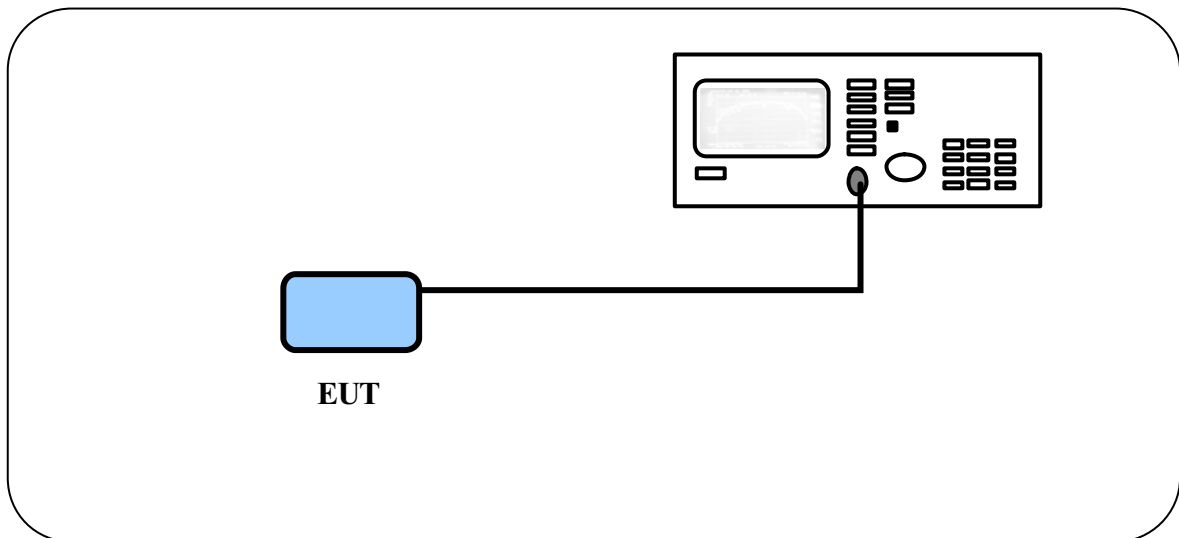
Detector Function = peak

Trace = max hold

Setting up procedure is written on 1.3 test method.

Allow the trace to stabilize. Use the marker-delta function to determine the separation between the peaks of the adjacent channel. The limit is specified in one of the subparagraphs of this section. Submit this plot.

6.2 Test Instruments Configuration



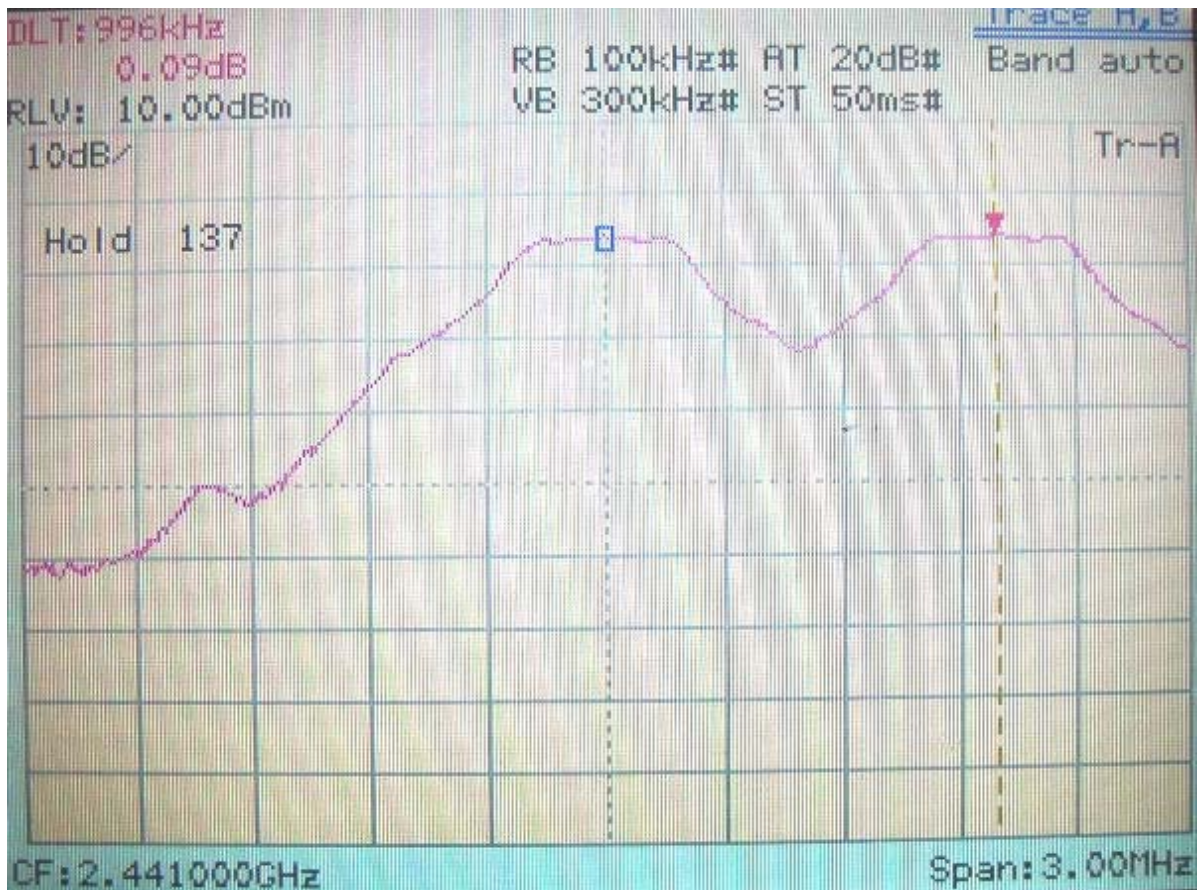
Test Configuration of carrier frequency separation

6.3 List of Test Instruments

Instrument Name	Model No.	Brand	Serial No.	Calibration Date
				Next time
Spectrum Analyzer	MS2665C	ANRITSU	6200175476	11/15/06

6.4 Test Results

Channel Separation: 996kHz



VII. Section 15.247(a)(1)(ii) Number of Hopping Frequencies

7.1 Test Condition

The EUT must have its Hopping function enabled. Use the following spectrum analyzer setting:

Span = the frequency band of operation

RBW \geq 1% of the span

VBW \geq RBW

Sweep = auto

Detector function = peak

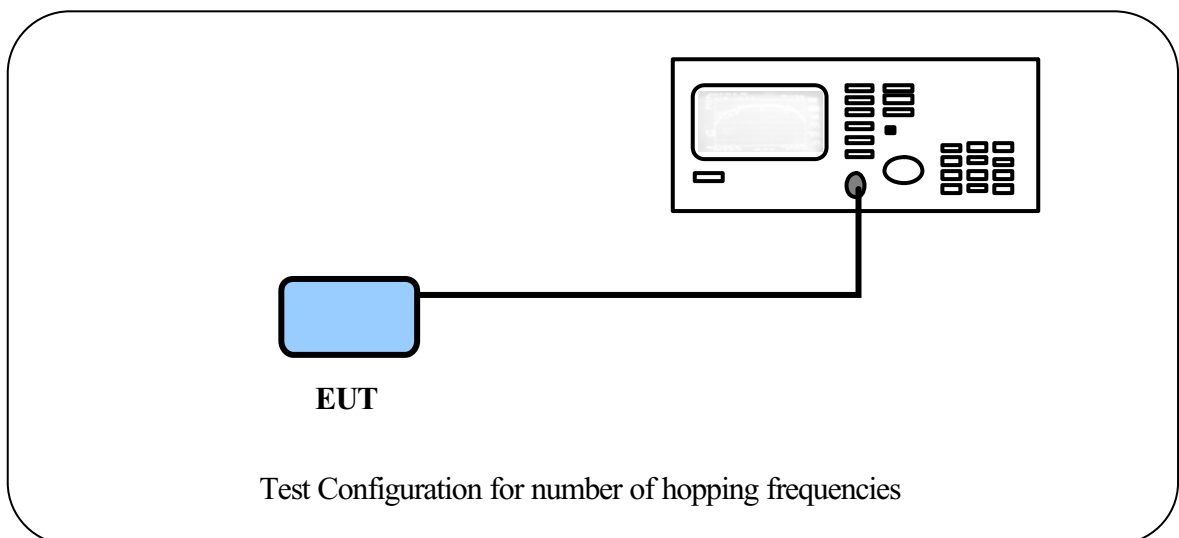
Trace = max hold

Allow the trace to stabilize. It may prove necessary to break the span up to sections. In order to clearly show all of the hopping frequencies. The limit is specified in one of the subparagraphs of this section.

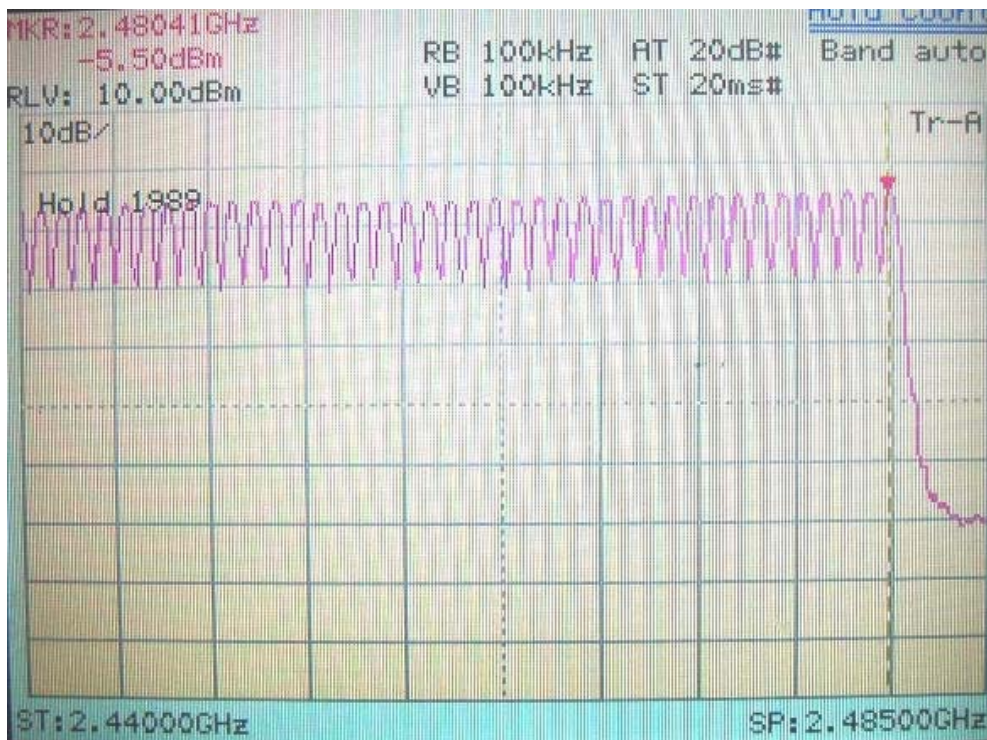
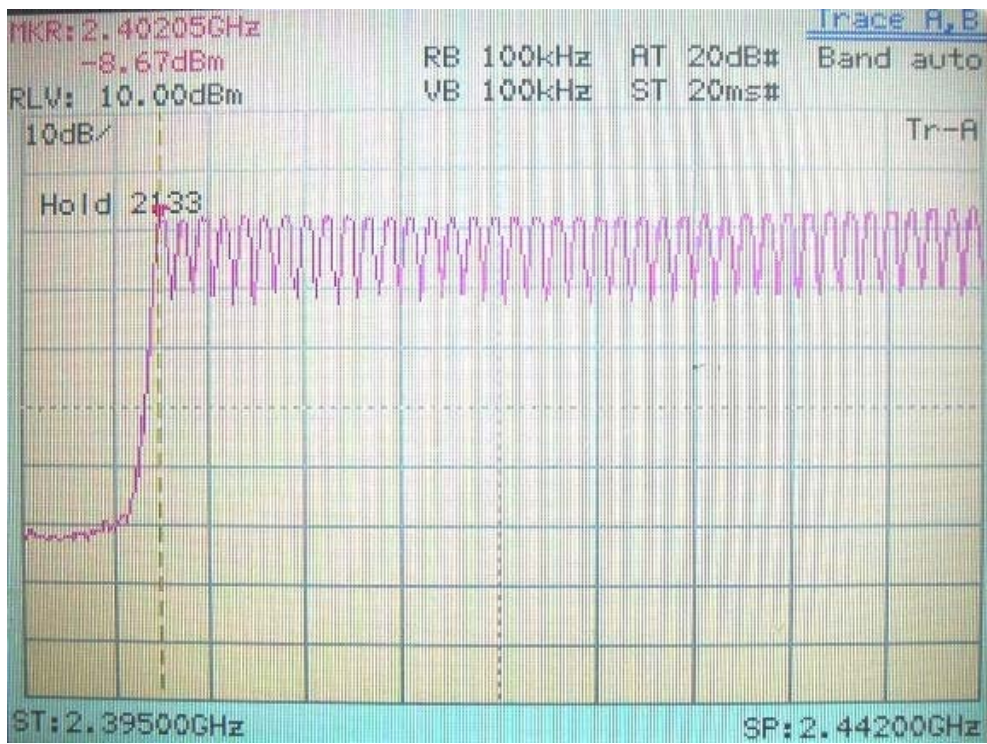
7.2 List of Test Instruments

Instrument Name	Model No.	Brand	Serial No.	Calibration Date
				Next time
Spectrum Analyzer	MS2665C	ANRITSU	6200175476	11/15/06

7.3 Test Instruments Configuration



7.4 Test Results



VIII. Section 15.247(a)(1)(ii) Time of Occupancy (Dwell Time)

8.1 Test Condition

The EUT must have its hopping function enabled. Use the following spectrum analyzer setting:

Span = zero span, centered on a hopping channel

RBW = 1M

VBW RBW

Sweep = as necessary to capture the entire dwell time per hopping channel

Detector function = peak

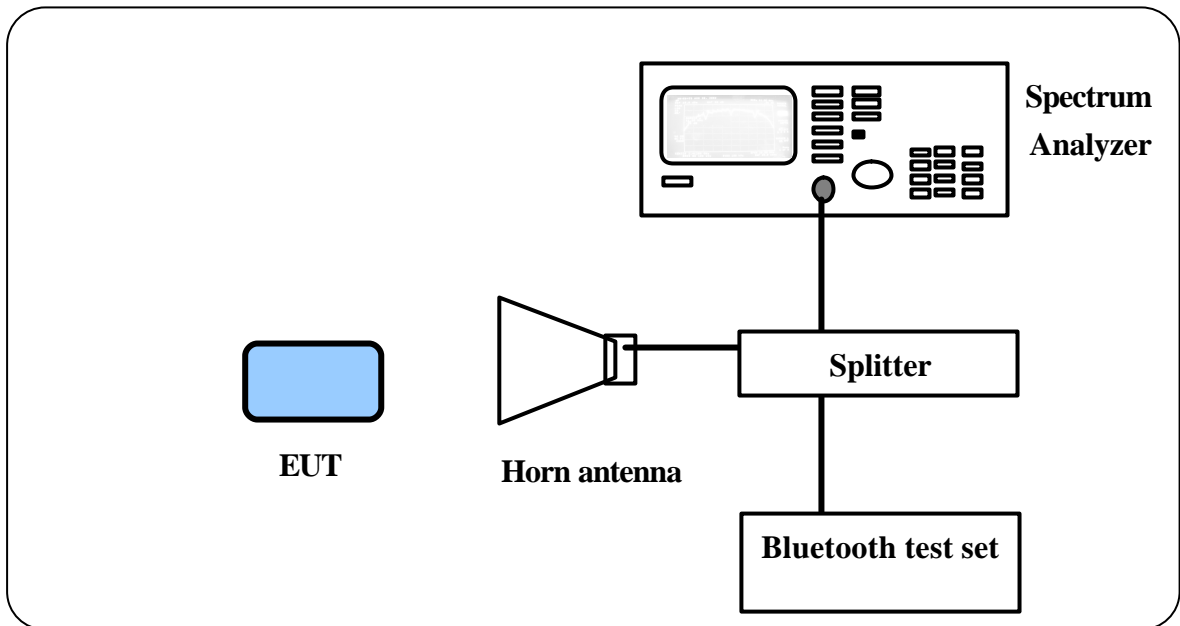
Trace = max hold

If possible, use the marker-delta function to determine the dwell time. If this value varies with different modes of operation (e.g., data rate, modulation format, etc.), repeat this test for each variation. The limit is specified in one of the subparagraphs of this section. Submit this plot(s). An oscilloscope may be used instead of a spectrum analyzer.

8.2 List of Test Instruments

<u>Instrument Name</u>	<u>Model No.</u>	<u>Brand</u>	<u>Serial No.</u>	<u>Calibration Date</u>
				<u>Next time</u>
Spectrum Analyzer	MS2665C	ANRITSU	6200175476	11/15/06
Horn Antenna	3115	EMCO	9104-3668	01/23/07
Bluetooth Test Set	MT8852A	ANRITSU	6k00001241	N/A
RF Splitter	ZFSC-2-2500	MINI-CIRCUITS	SF863200403	N/A

8.3 Test Instruments Configuration



Note:

1. Running Bluetooth test set for Test mode.
2. Spectrum Analyzer record test results.

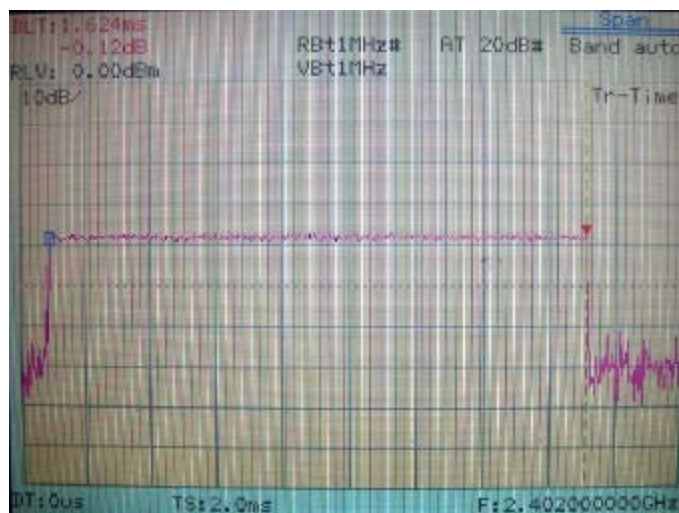
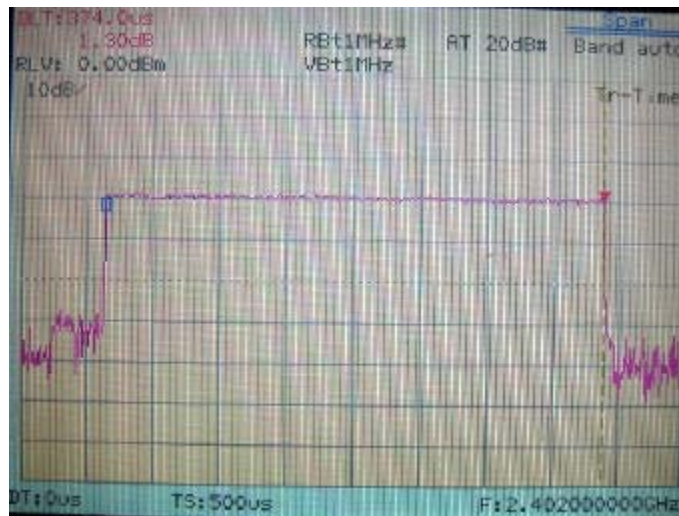
8.4 Test Results

CH	DH1-Packet (ms)	DH3-Packet (ms)	DH5-Packet (ms)
01	$0.374 \times 31.6 \times 10.12 = 119.60$	$1.624 \times 31.6 \times 5.06 = 259.67$	$2.870 \times 31.6 \times 3.37 = 305.63$
40	$0.373 \times 31.6 \times 10.12 = 119.28$	$1.628 \times 31.6 \times 5.06 = 260.31$	$2.870 \times 31.6 \times 3.37 = 305.63$
79	$0.373 \times 31.6 \times 10.12 = 119.28$	$1.628 \times 31.6 \times 5.06 = 260.31$	$2.870 \times 31.6 \times 3.37 = 305.63$

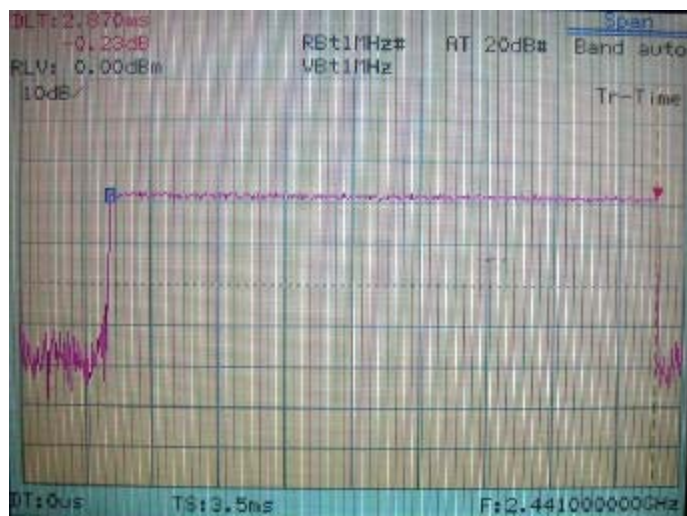
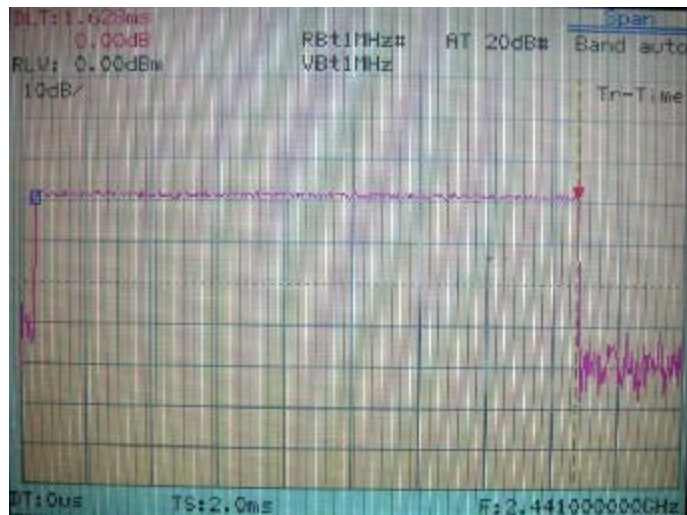
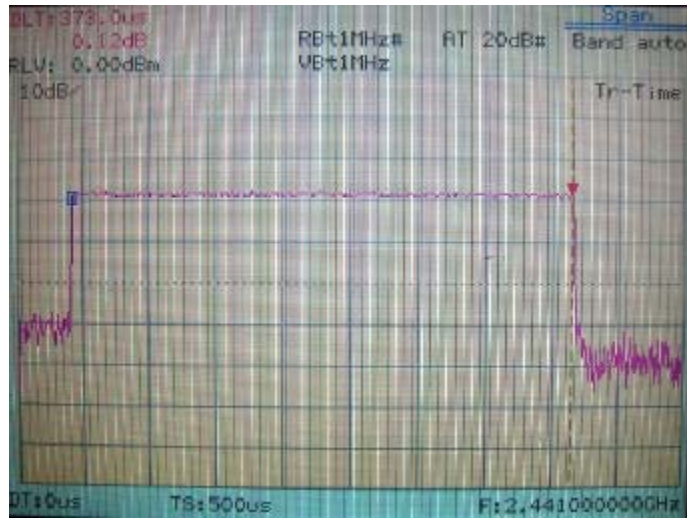
Note :

1. $0.4 \times 79 = 31.6 \text{ s}$
2. DH1: $1600 \div 79 \div 2 = 10.12 \text{ ms}$
3. DH3: $1600 \div 79 \div 4 = 5.06 \text{ ms}$
4. DH5: $1600 \div 79 \div 6 = 3.37 \text{ ms}$
5. Show as following page.

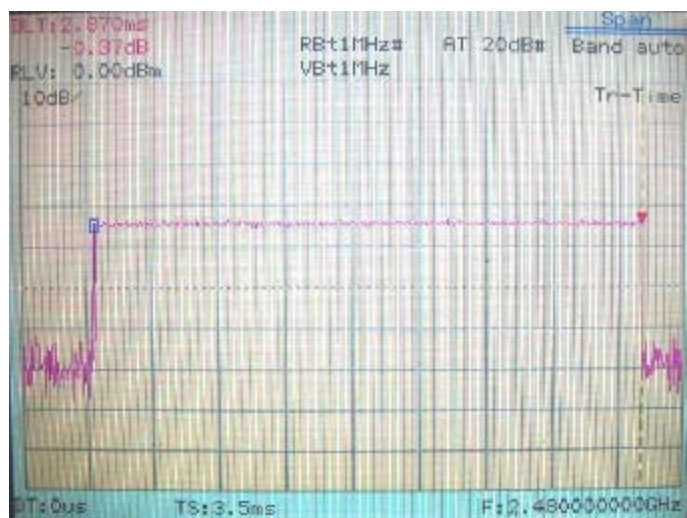
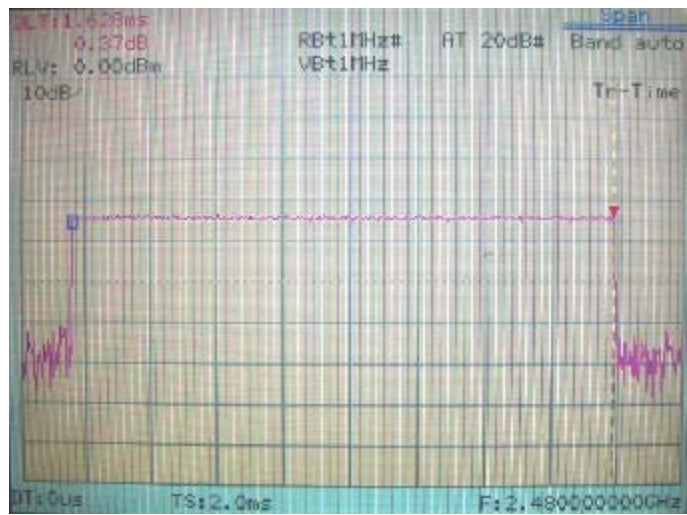
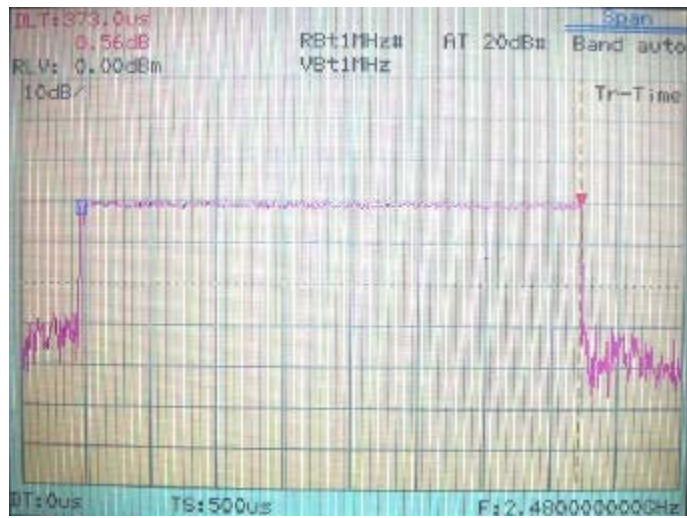
DH1-Packet



DH3-Packet



DH5-Packet



IX. Section 15.247(a)(1)(ii) 20dB Bandwidth

9.1 Test Condition

Use the following spectrum analyzer setting:

Span = the frequency band of operation

RBW \geq 1% of the emission bandwidth

VBW \geq RBW

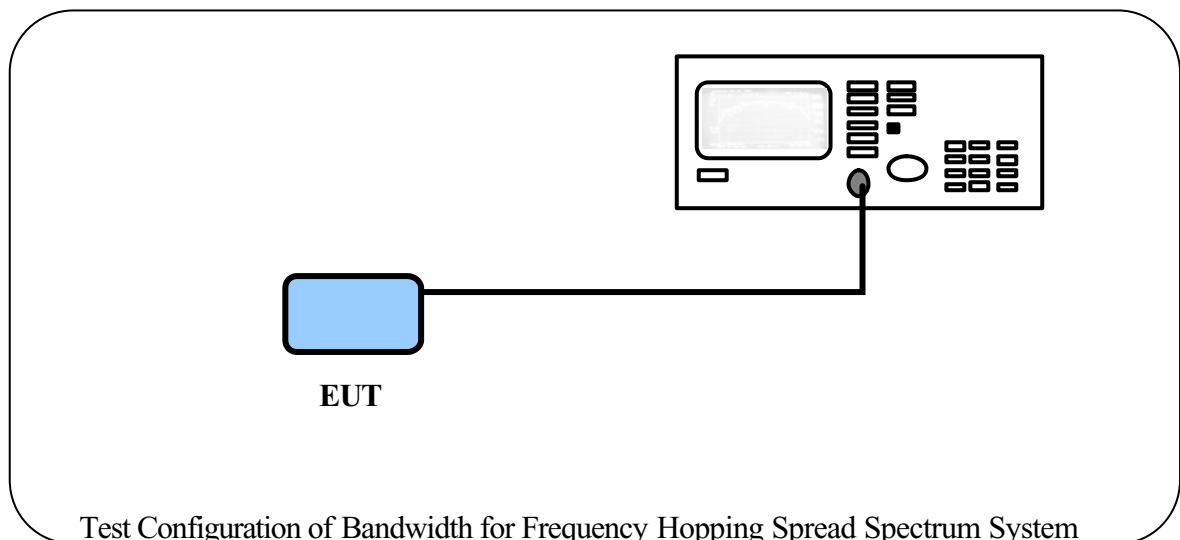
Sweep = auto

Detector function = peak

Trace = max hold

The EUT should be transmitting at its maximum data rate. Allow the trace to stabilize. Use the marker-to-peak function to set the marker to the peak of emission. Use the marker-delta function to measure 20dB down one side of the emission. Reset the marker-delta function, and move the marker to the other side of the emission, until it is (as close as possible to) even with the reference marker level. The marker-delta reading at this point is the 20dB bandwidth of the emission. If this value varies with different modes of operation (e.g., data rate, modulation format, etc.), repeat this test for each variation. The limit is specified in one of the subparagraphs of this section. Submit this plot(s).

9.2 Test Instruments Configuration



9.3 List of Test Instruments

<u>Instrument Name</u>	<u>Model No.</u>	<u>Brand</u>	<u>Serial No.</u>	<u>Calibration Date</u> <u>Next time</u>
Spectrum Analyzer	MS2665C	ANRITSU	6200175476	11/15/06

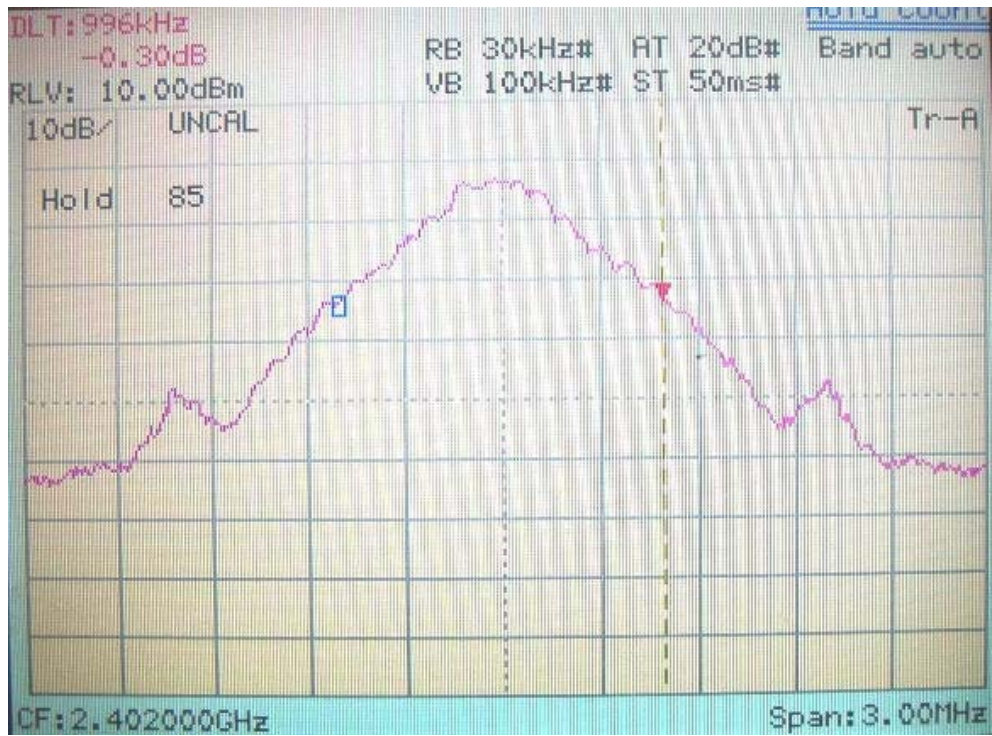
9.4 Test Results

Channel	20dB Bandwidth
CH 01	996 kHz
CH 40	996 kHz
CH 79	990 kHz

Note:

The data in the above table are summarizing the following attachment spectrum analyzer.

20dB BW of Channel 1



20dB BW of Channel 40

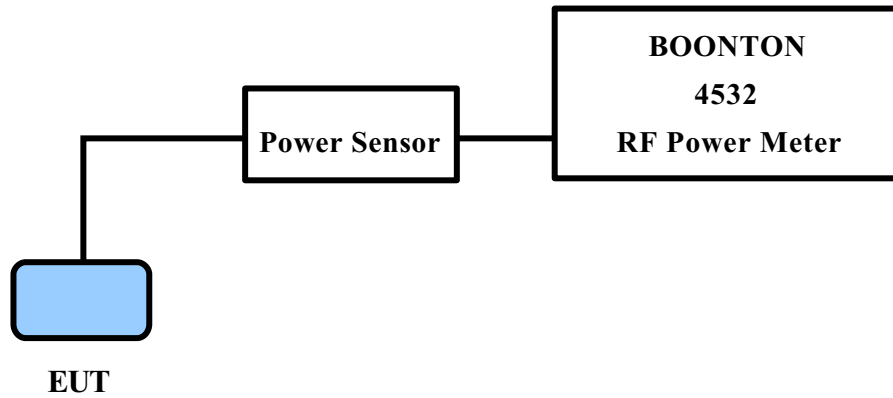


20dB BW of Channel 79



X. Section 15.247(b) Peak Output Power

10.1 Test Condition & Setup



1. The output of the transmitter is connected to the BOONTON RF Power Meter.
2. The calibration is performed before every test. The values of the output power of the EUT will shown in the dBm directly are the transmitter output peak power. Recording as follows.

10.2 List of Test Instruments

<u>Instrument Name</u>	<u>Model No.</u>	<u>Brand</u>	<u>Serial No.</u>	<u>Calibration Date</u>
RF Power Meter	4532	BOONTON	117501	07/21/06
Peak Power Sensor	57340	BOONTON	2696	07/26/06

10.3 Test Result

Formula:
 RF output power of EUT + |Cable loss| = Output peak power

Channel	RF output	Cable loss	Output peak power	
	dBm		dBm	mW
CH 01	-1.33	2.00	0.67	1.17
CH 40	-1.29	2.00	0.71	1.18
CH 79	-1.31	2.00	0.69	1.17

XI. Section 15.247(c) Band-edge Compliance

11.1 Test Condition

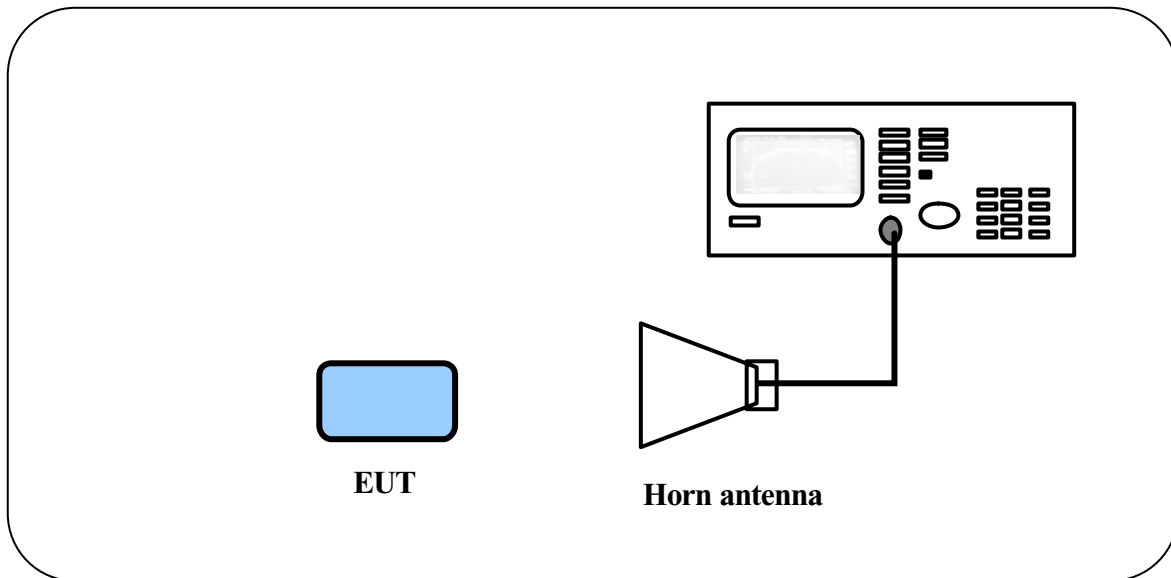
If any 100 kHz bandwidth outside these frequency bands, the radio frequency power that is produced by the modulation products of the spreading sequence, the information sequence and the carrier frequency shall be either *at least 20 dB below that in any 100 kHz bandwidth within the band that contains the highest level of the desired power or shall not exceed the general levels specified in §15.209(a)*,

We perform this section by the *radiated manner*, the RBW is set to 100kHz and VBW>RBW. We'd made the observation *up to 10th harmonics and the criterion is all the harmonic/spurious emissions must be 20dB below the highest emission level measured*. If the emissions fall in the restricted bands stated in the Part15.205(a) must also *comply with the radiated emission limits specified in Part15.209(a)*. (Peak mode: RBW=VBW=1MHz, Average mode: RBW=1MHz; VBW=10Hz)

11.2 List of Test Instruments

<u>Instrument Name</u>	<u>Model No.</u>	<u>Brand</u>	<u>Serial No.</u>	<u>Calibration Date</u>
Spectrum Analyzer	MS2665C	ANRITSU	6200175476	11/15/06
Spectrum Analyzer	8564E	HP	3720A00840	11/07/06
Microwave Preamplifier	84125C	HP	US36433002	11/07/06
Horn Antenna	3115	EMCO	9104-3668	01/23/07

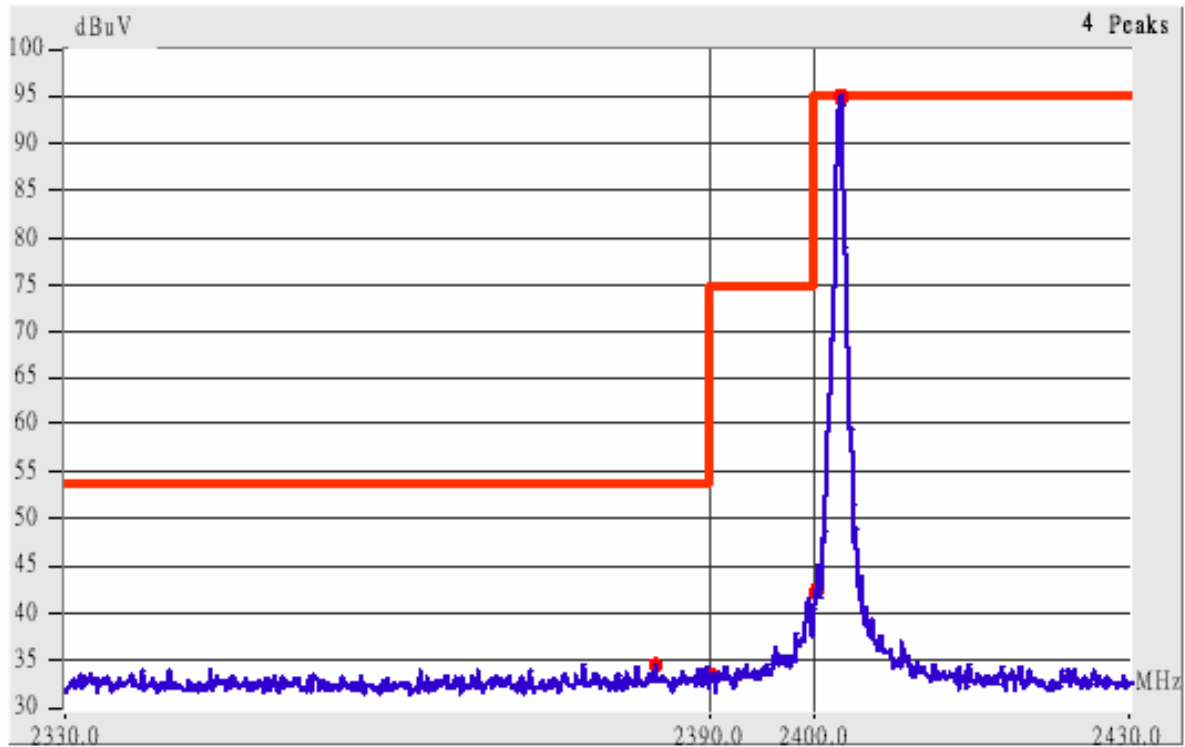
11.3 Test Instruments Configuration



11.4 Test Result of the Bandedge

The following pages show our observations referring to the channel 1 and 79 respectively.

Channel 1

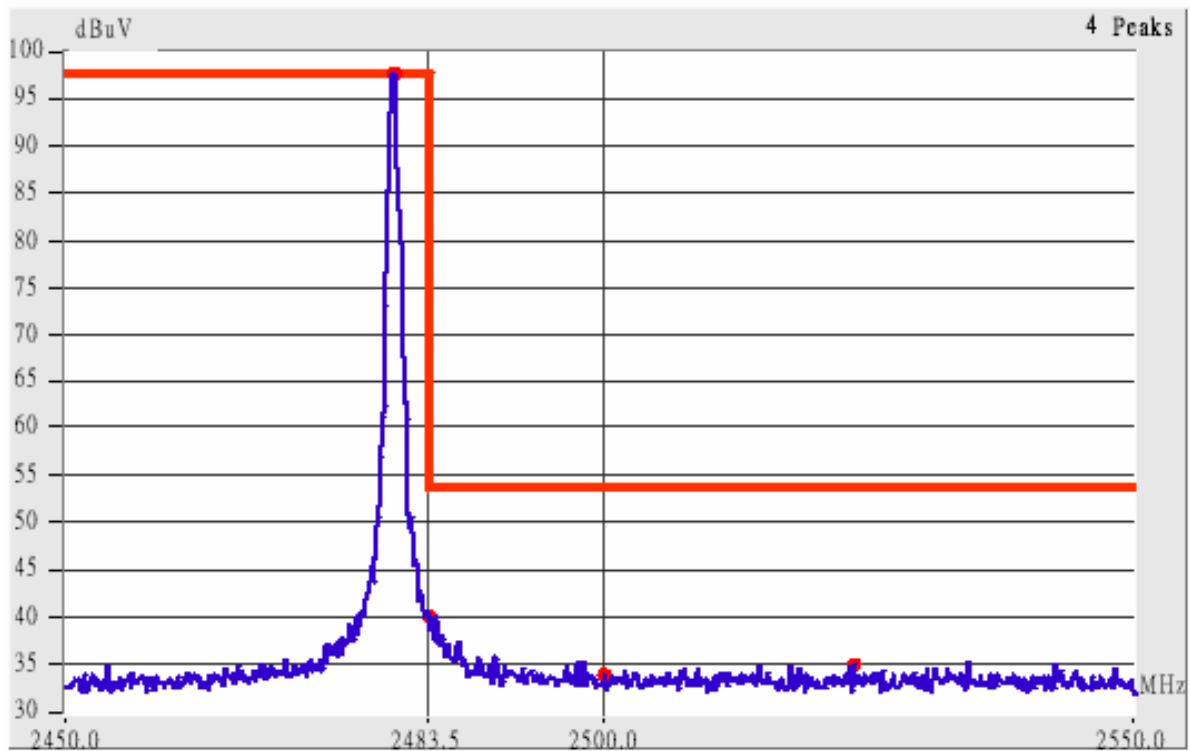


This is the hard copy of our bandedge measurement generated by our bandedge testing program. The plot shown above is the bandedge of channel 1.

1. The lobe left by the fundamental side is already 20dB below the highest emission level.
2. The emissions recorded in the restricted band is do comply with the Part 15.209(a) – as below.

<i>Radiated Emission</i>					<i>Corrected Amplitude</i>		<i>Class B</i>		
<i>Frequency (MHz)</i>	<i>Ant. P.</i>	<i>Ant. H. (m)</i>	<i>Table (°)</i>	<i>Factors (dB)</i>	<i>(dBµV/m)</i>		<i>Limit (dBµV/m)</i>		<i>Margin (dB)</i>
					<i>Peak</i>	<i>Average</i>	<i>Peak</i>	<i>Ave.</i>	
2384.28	Hor	1.00	132	9.17	44.17	---	73.96	53.96	-9.79
2390.02	Hor	1.00	83	9.18	43.18	---	73.96	53.96	-10.78
2378.86	Ver	1.00	239	9.15	44.48	---	73.96	53.96	-9.48
2390.02	Ver	1.00	322	9.18	43.52	---	73.96	53.96	-10.44

Channel 79



This is the hard copy of our bandedge measurement generated by our bandedge testing program. The plot shown above is the bandedge of channel 79.

3. The lobe left by the fundamental side is already 20dB below the highest emission level.
4. The emissions recorded in the restricted band is do comply with the Part 15.209(a) – as below.

<i>Radiated Emission</i>					<i>Corrected Amplitude</i>		<i>Class B (3m)</i>		
<i>Frequency (MHz)</i>	<i>Ant. P.</i>	<i>Ant. H. (m)</i>	<i>Table (°)</i>	<i>Factors (dB)</i>	<i>(dBµV/m)</i>		<i>Limit (dBµV/m)</i>		<i>Margin (dB)</i>
					<i>Peak</i>	<i>Average</i>	<i>Peak</i>	<i>Ave.</i>	
2483.50	Hor	1.00	220	9.44	51.94	---	73.96	53.96	-2.02
2492.02	Hor	1.00	208	9.47	45.13	---	73.96	53.96	-8.83
2500.01	Hor	1.00	100	9.49	43.66	---	73.96	53.96	-10.30
2511.68	Hor	1.00	113	9.51	44.68	---	73.96	53.96	-9.28
2483.50	Ver	1.00	247	9.44	47.28	---	73.96	53.96	-6.68
2519.20	Ver	1.00	275	9.53	44.69	---	73.96	53.96	-9.27

XII. Section 15.247(c) Spurious Radiated Emissions

12.1 Test Condition and Setup

We'd performed the test by the *radiated emission* skill: The EUT was placed in an anechoic chamber, and set the EUT transmitting continuously and scanned at 3-meter distance to determine its emission characteristics. The physical arrangement of the EUT was varied (within the scope of arrangements likely to be encountered in actual use) to determine the effect on the unit's emanations in amplitude, directivity, and frequency. The exact system configuration, which produced the highest emissions was noted so it could be reproduced later during the final tests. For the measurement above 1GHz, according to the guidance we'd set the spectrum analyzer's 6dB bandwidth RBW to 1MHz.

This was done to ensure that the final measurements would demonstrate the worst-case interference potential of the EUT. Final radiation measurements were made on a three-meter, anechoic chamber. The EUT system was placed on a nonconductive turntable, which is 0.8 meters height, top surface 1.0 x 1.5 meter.

The spectrum was examined from 30 MHz to 1000 MHz using an Hewlett Packard 85460A EMI Receiver, SCHWARZECK whole range Small Biconical Antenna (Model No.: UBAA9114 & BBVU9135) is used to measure frequency from 30 MHz to 1GHz. The final test is used the HP 85460A spectrum and 8564E spectrum was examined from 1GHz to 25GHz using an Hewlett Packard Spectrum Analyzer, EMCO/HP Horn Antenna (Model 3115 / 84125-80008) for 1G to 25GHz.

At each frequency, the EUT was rotated 360 degrees, stand on three orthogonal planes respectively and the antenna was raised and lowered from one to four meters to find the maximum emission levels. Measurements were taken using both horizontal and vertical antenna polarization.

Appropriate preamplifiers were used for improving sensitivity and precautions were taken to avoid overloading or desensitizing the spectrum analyzer. There are two spectrum analyzers use on this testing, HP 85460A for frequency 30MHz to 1000MHz, and 8564E for frequency 1GHz to 25GHz. No post-detector video filters were used in the test. The spectrum analyzer's 6dB bandwidth was set to 120KHz (spectrum was examined from 30 MHz to 1000 MHz), the spectrum analyzer's 6 dB bandwidth was set to 1 MHz (spectrum was examined from 1GHz to 25GHz) and the analyzer was operated in the maximum hold mode. There is a test condition applies in this test item, the test procedure description as the following:

Three channels were tested, one in the top (CH1), one in the middle (CH40) and the other in bottom (CH79). The setting up procedure is recorded on <1.3 test method>

With the transmitter operating from a AC source and using the internal of EUT, radiates spurious emissions falling within the restricted bands of 15.209 were measured at operating frequencies corresponding to upper, middle and bottom channels in the 2400 ~ 2483.5 MHz band.

The actual field intensity in decibels referenced to 1 microvolt per meter (dB μ V/m) is determined by algebraically adding the measured reading in dB μ V, the antenna factor (dB), and cable loss (dB) at the appropriate frequency. Since the EUT was set to transmit continuously, no *duty cycle* is present.

For frequency between 30MHz to 1000MHz

$$F_{Ia} \text{ (dB}\mu\text{V/m)} = F_{Ir} \text{ (dB}\mu\text{V)} + \text{Correction Factors}$$

F_{Ia} : Actual Field Intensity

F_{Ir} : Reading of the Field Intensity

$$\text{Correction Factors} = \text{Antenna Factor} + (\text{Cable Loss} - \text{Amplifier Gain}) + \text{Switching Box Loss}$$

For frequency between 1GHz to 25GHz

$$F_{Ia} \text{ (dB}\mu\text{V/m)} = F_{Ir} \text{ (dB}\mu\text{V)} + \text{Correction Factor}$$

F_{Ia} : Actual Field Intensity

F_{Ir} : Reading of the Field Intensity

$$\text{Correction Factors} = \text{Antenna Factor} + (\text{Cable Loss} - \text{Amplifier Gain}) + \text{Switching Box Loss}$$

12.2 List of Test Instruments

				<u>Calibration Date</u>
Instrument Name	Model	Brand	Serial No.	Next time
EMI Receiver	8546A	HP	3520A00242	06/01/06
RF Filter Section	85460A	HP	3448A00217	06/01/06
Small Biconical Antenna	UBAA9114 & BBVU9135	SCHWARZECK	127	08/17/06
Pre-amplifier	PA1F	TRC	1FAC	05/20/06
Auto Switch Box (>30MHz)	ASB-01	TRC	9904-01	05/20/06
Coaxial Cable (Double shielded, 15 Meter)	A30A30-0058-50FS-15M	JYEBAO	SMA-01	05/20/06
Coaxial Cable (1.1 meter)	A30A30-0058-50FS-1M	JYEBAO	SMA-02	05/20/06
Spectrum Analyzer	8564E	HP	3720A00840	11/07/06
Microwave Preamplifier	84125C	HP	US36433002	11/07/06
Horn Antenna	3115	EMCO	9104-3668	01/23/07
Standard Guide Horn Antenna	84125-80008	HP	18-26.5GHz	11/09/06
Standard Guide Horn Antenna	84125-80001	HP	26.5-40GHz	11/09/06
Horn Antenna	1196E (3115)	HP (EMCO)	9704-5178	04/11/06
Pre-amplifier	PA2F	TRC	2F1GZ	06/20/06
Coaxial Cable (3 miter)	A30A30-0058-50FST118	JYEBAO	MSA-05	06/20/06
Coaxial Cable (1 meter)	A30A30-0058-50FST118	JYEBAO	MSA-04	06/20/06

12.3 Test Result of Spurious Radiated Emissions

The highest peak values of radiated emissions from the EUT at various antenna heights, antenna polarizations, EUT orientation, etc. are recorded on the following. (worst case)

Test Conditions: Temperature : 25° C Humidity : 73% RH

Test mode: Standby mode for 30MHz to 1GHz [Horizontal]

Radiated Emission				Correction Factors (dB)	Corrected Amplitude (dBμV/m)	Class B (3 m)	
Frequency (MHz)	Amplitude (dBμV)	Ant. H. (m)	Table (°)			Limit (dBμV/m)	Margin (dB)
56.67	22.19	1.00	178	2.69	24.88	40.00	-15.12
154.89	23.40	1.00	3	-3.56	19.84	43.50	-23.66
200.96	23.52	1.00	83	-3.50	20.02	43.50	-23.48
459.22	22.67	1.00	135	1.11	23.78	46.00	-22.22
511.36	23.87	1.00	268	2.80	26.67	46.00	-19.33

Test mode: Standby mode for 30MHz to 1GHz [Vertical]

Radiated Emission				Correction Factors (dB)	Corrected Amplitude (dBμV/m)	Class B (3 m)	
Frequency (MHz)	Amplitude (dBμV)	Ant. H. (m)	Table (°)			Limit (dBμV/m)	Margin (dB)
146.40	29.66	1.00	301	-3.36	26.30	43.50	-17.20
242.19	30.08	1.00	201	-3.93	26.15	46.00	-19.85
288.26	32.17	1.00	13	-3.82	28.35	46.00	-17.65
436.19	25.45	1.00	274	0.28	25.73	46.00	-20.27
558.65	27.97	1.00	230	4.88	32.85	46.00	-13.15

Note:

1. Margin = Amplitude – limit, if margin is minus means under limit.
2. Corrected Amplitude = Reading Amplitude + Correction Factors
3. Correction factor = Antenna factor + (Cable Loss – Amplitude gain) + Switching Box Loss

Test mode: Standby mode for 1GHz to 25GHz [Horizontal]

<i>Frequency</i>	<i>Ant. H.</i>	<i>Table</i>	<i>Amplitude</i>		<i>Correction Factor</i>	<i>Corrected Amplitude</i>		<i>Limit</i>		<i>Margin</i>
			<i>Peak / Ave.</i>			<i>Peak / Ave.</i>		<i>Peak / Ave.</i>		
<i>MHz</i>	<i>m</i>	<i>degree</i>	<i>dBµV</i>		<i>dB/m</i>	<i>dBµV/m</i>		<i>dBµV/m</i>		<i>dB</i>
2473.33	1.00	133	30.91	---	6.75	37.66	---	73.96	53.96	-16.30
4003.33	1.00	349	30.57	---	12.51	43.08	---	73.96	53.96	-10.88
7105.83	1.00	114	25.08	---	21.05	46.13	---	73.96	53.96	-7.83
10902.50	1.00	191	22.74	---	22.18	44.92	---	73.96	53.96	-9.04
19165.21	1.00	204	46.49	---	1.56	48.05	---	73.96	53.96	-5.91

Test mode: Standby mode for 1GHz to 25GHz [Vertical]

<i>Frequency</i>	<i>Ant. H.</i>	<i>Table</i>	<i>Amplitude</i>		<i>Correction Factor</i>	<i>Corrected Amplitude</i>		<i>Limit</i>		<i>Margin</i>
			<i>Peak / Ave.</i>			<i>Peak / Ave.</i>		<i>Peak / Ave.</i>		
<i>MHz</i>	<i>m</i>	<i>degree</i>	<i>dBµV</i>		<i>dB/m</i>	<i>dBµV/m</i>		<i>dBµV/m</i>		<i>dB</i>
2905.42	1.00	61	31.08	---	8.97	40.05	---	73.96	53.96	-13.91
4350.42	1.00	221	27.41	---	12.98	40.39	---	73.96	53.96	-13.57
6865.00	1.00	184	23.74	---	20.08	43.82	---	73.96	53.96	-10.14
10923.75	1.00	152	22.40	---	22.25	44.65	---	73.96	53.96	-9.31
24782.29	1.00	56	46.65	---	2.25	48.90	---	73.96	53.96	-5.06

Note:

1. Margin = Corrected - Limit.
2. The EUT utilizes a *permanently attached antenna*. In addition the spurious RF radiated emissions levels do comply with the *20dBc limit* both at its bandedges and other spurious emissions.
3. As stated in Section 15.35(b), for any frequencies above 1000MHz, radiated limits shown are based upon the use of measurement instrumentation employing an average detector function. As the results of our test, the peak amplitudes are already below the FCC limit. Thus the average amplitudes of the rest are omitted.

Test mode: Charging mode for 30MHz to 1GHz [Horizontal]

Radiated Emission				Correction Factors	Corrected Amplitude	Class B (3 m)	
Frequency (MHz)	Amplitude (dBµV)	Ant. H. (m)	Table (°)			Limit (dBµV/m)	Margin (dB)
436.19	43.12	1.00	115	0.28	43.40	46.00	-2.60
471.35	36.67	1.00	105	1.46	38.13	46.00	-7.87
504.09	39.48	1.00	95	2.47	41.95	46.00	-4.05
529.55	32.83	1.00	204	3.65	36.48	46.00	-9.52
563.50	30.11	1.00	287	5.04	35.15	46.00	-10.85
865.41	23.57	1.00	204	13.60	37.17	46.00	-8.83

Test mode: Charging mode for 30MHz to 1GHz [Vertical]

Radiated Emission				Correction Factors	Corrected Amplitude	Class B (3 m)	
Frequency (MHz)	Amplitude (dBµV)	Ant. H. (m)	Table (°)			Limit (dBµV/m)	Margin (dB)
68.80	28.55	1.00	175	1.40	29.95	40.00	-10.05
436.19	38.82	1.00	47	0.28	39.10	46.00	-6.90
533.19	38.58	1.00	190	3.81	42.39	46.00	-3.61
563.50	31.36	1.00	149	5.04	36.40	46.00	-9.60
630.19	26.49	1.00	10	7.36	33.85	46.00	-12.15
865.41	23.08	1.00	93	13.60	36.68	46.00	-9.32

Test mode: Charging mode for 1GHz to 25GHz [Horizontal]

<i>Frequency</i>	<i>Ant. H.</i>	<i>Table</i>	<i>Amplitude</i>		<i>Correction Factor</i>	<i>Corrected Amplitude</i>		<i>Limit</i>		<i>Margin</i>
			<i>Peak / Ave.</i>			<i>Peak / Ave.</i>		<i>Peak / Ave.</i>		
<i>MHz</i>	<i>m</i>	<i>degree</i>	<i>dBμV</i>		<i>dB/m</i>	<i>dBμV/m</i>		<i>dBμV/m</i>		<i>dB</i>
2593.75	1.00	332	30.90	---	7.58	38.48	---	73.96	53.96	-15.48
4208.75	1.00	293	29.41	---	12.83	42.24	---	73.96	53.96	-11.72
7070.42	1.00	171	25.07	---	20.97	46.04	---	73.96	53.96	-7.92
10690.00	1.00	141	24.57	---	22.35	46.92	---	73.96	53.96	-7.04
24612.29	1.00	64	47.49	---	2.95	50.44	---	73.96	53.96	-3.52

Test mode: Charging mode for 1GHz to 25GHz [Vertical]

<i>Frequency</i>	<i>Ant. H.</i>	<i>Table</i>	<i>Amplitude</i>		<i>Correction Factor</i>	<i>Corrected Amplitude</i>		<i>Limit</i>		<i>Margin</i>
			<i>Peak / Ave.</i>			<i>Peak / Ave.</i>		<i>Peak / Ave.</i>		
<i>MHz</i>	<i>m</i>	<i>degree</i>	<i>dBμV</i>		<i>dB/m</i>	<i>dBμV/m</i>		<i>dBμV/m</i>		<i>dB</i>
3018.75	1.00	254	30.91	---	9.24	40.15	---	73.96	53.96	-13.81
5774.17	1.00	131	26.57	---	17.54	44.11	---	73.96	53.96	-9.85
8260.42	1.00	230	21.25	---	22.72	43.97	---	73.96	53.96	-9.99
10775.00	1.00	284	23.07	---	22.02	45.09	---	73.96	53.96	-8.87
19823.96	1.00	328	47.66	---	1.90	49.56	---	73.96	53.96	-4.40

Test mode: BT CH01 for 30MHz to 1GHz [Horizontal]

<i>Radiated Emission</i>				<i>Correction Factors</i>	<i>Corrected Amplitude</i>	<i>Class B (3 m)</i>	
<i>Frequency (MHz)</i>	<i>Amplitude (dBμV)</i>	<i>Ant. H. (m)</i>	<i>Table (°)</i>			<i>Limit (dBμV/m)</i>	<i>Margin (dB)</i>
128.21	28.36	1.00	178	-2.58	25.78	43.50	-17.72
284.62	33.57	1.00	178	-3.90	29.67	46.00	-16.33
339.19	32.62	1.00	53	-2.84	29.78	46.00	-16.22
436.19	28.13	1.00	241	0.28	28.41	46.00	-17.59
511.36	30.61	1.00	294	2.80	33.41	46.00	-12.59
547.74	28.13	1.00	180	4.49	32.62	46.00	-13.38

Test mode: BT CH01 for 30MHz to 1GHz [Vertical]

<i>Radiated Emission</i>				<i>Correction Factors</i>	<i>Corrected Amplitude</i>	<i>Class B (3 m)</i>	
<i>Frequency (MHz)</i>	<i>Amplitude (dBμV)</i>	<i>Ant. H. (m)</i>	<i>Table (°)</i>			<i>Limit (dBμV/m)</i>	<i>Margin (dB)</i>
99.11	36.91	1.00	347	-0.78	36.13	43.50	-7.37
146.40	31.62	1.00	200	-3.36	28.26	43.50	-15.24
297.96	35.37	1.00	290	-3.43	31.94	46.00	-14.06
325.85	45.30	1.00	283	-3.01	42.29	46.00	-3.71
342.82	41.75	1.00	293	-2.79	38.96	46.00	-7.04
558.65	29.63	1.00	228	4.88	34.51	46.00	-11.49

Test mode: BT CH01 for 1GHz to 25GHz [Horizontal]

<i>Frequency</i>	<i>Ant. H.</i>	<i>Table</i>	<i>Amplitude</i>		<i>Correction Factor</i>	<i>Corrected Amplitude</i>		<i>Limit</i>		<i>Margin</i>
			<i>Peak / Ave.</i>			<i>Peak / Ave.</i>		<i>Peak / Ave.</i>		
<i>MHz</i>	<i>m</i>	<i>degree</i>	<i>dBμV</i>		<i>dB/m</i>	<i>dBμV/m</i>		<i>dBμV/m</i>		<i>dB</i>
1643.75	1.00	243	34.66	---	13.65	48.31	---	73.96	53.96	-5.65
2150.00	1.00	301	35.17	---	8.51	43.68	---	73.96	53.96	-10.28
2772.92	1.00	61	35.17	---	10.00	45.17	---	73.96	53.96	-8.79
4805.00	1.00	230	46.10	---	3.69	49.79	---	73.96	53.96	-4.17
7203.54	1.00	195	40.78	---	9.91	50.69	---	73.96	53.96	-3.27
12012.71	1.00	334	37.60	---	10.01	47.61	---	73.96	53.96	-6.35

Test mode: BT CH01 for 1GHz to 25GHz [Vertical]

<i>Frequency</i>	<i>Ant. H.</i>	<i>Table</i>	<i>Amplitude</i>		<i>Correction Factor</i>	<i>Corrected Amplitude</i>		<i>Limit</i>		<i>Margin</i>
			<i>Peak / Ave.</i>			<i>Peak / Ave.</i>		<i>Peak / Ave.</i>		
<i>MHz</i>	<i>m</i>	<i>degree</i>	<i>dBμV</i>		<i>dB/m</i>	<i>dBμV/m</i>		<i>dBμV/m</i>		<i>dB</i>
1508.33	1.00	250	34.17	---	15.76	49.93	---	73.96	53.96	-4.03
2154.17	1.00	220	39.84	---	8.52	48.36	---	73.96	53.96	-5.60
3008.33	1.00	48	34.83	---	10.47	45.30	---	73.96	53.96	-8.66
7203.54	1.00	185	37.61	---	9.91	47.52	---	73.96	53.96	-6.44
9608.12	1.00	164	34.77	---	11.47	46.24	---	73.96	53.96	-7.72
12012.71	1.00	294	37.77	---	10.01	47.78	---	73.96	53.96	-6.18

Test mode: BT CH40 for 30MHz to 1GHz [Horizontal]

<i>Radiated Emission</i>				<i>Correction Factors</i>	<i>Corrected Amplitude</i>	<i>Class B (3 m)</i>	
<i>Frequency (MHz)</i>	<i>Amplitude (dBµV)</i>	<i>Ant. H. (m)</i>	<i>Table (°)</i>			<i>Limit (dBµV/m)</i>	<i>Margin (dB)</i>
117.30	33.14	1.00	333	-2.12	31.02	43.50	-12.48
143.97	30.59	1.00	291	-3.18	27.41	43.50	-16.09
244.61	29.18	1.00	27	-3.80	25.38	46.00	-20.62
347.67	31.13	1.00	7	-2.73	28.40	46.00	-17.60
434.97	29.10	1.00	243	0.23	29.33	46.00	-16.67
558.65	23.74	1.00	271	4.88	28.62	46.00	-17.38

Test mode: BT CH40 for 30MHz to 1GHz [Vertical]

<i>Radiated Emission</i>				<i>Correction Factors</i>	<i>Corrected Amplitude</i>	<i>Class B (3 m)</i>	
<i>Frequency (MHz)</i>	<i>Amplitude (dBµV)</i>	<i>Ant. H. (m)</i>	<i>Table (°)</i>			<i>Limit (dBµV/m)</i>	<i>Margin (dB)</i>
38.92	26.00	1.00	30	5.70	31.70	40.00	-8.30
112.45	36.79	1.00	73	-1.95	34.84	43.50	-8.66
221.57	34.95	1.00	37	-4.03	30.92	46.00	-15.08
434.97	36.57	1.00	177	0.23	36.80	46.00	-9.20
459.22	40.24	1.00	177	1.11	41.35	46.00	-4.65
597.45	29.77	1.00	62	6.17	35.94	46.00	-10.06

Test mode: BT CH40 for 1GHz to 25GHz [Horizontal]

<i>Frequency</i>	<i>Ant. H.</i>	<i>Table</i>	<i>Amplitude</i>		<i>Correction Factor</i>	<i>Corrected Amplitude</i>		<i>Limit</i>		<i>Margin</i>
			<i>Peak / Ave.</i>			<i>Peak / Ave.</i>		<i>Peak / Ave.</i>		
<i>MHz</i>	<i>m</i>	<i>degree</i>	<i>dBμV</i>		<i>dB/m</i>	<i>dBμV/m</i>		<i>dBμV/m</i>		<i>dB</i>
2191.67	1.00	316	35.16	---	8.63	43.79	---	73.96	53.96	-10.17
3039.58	1.00	94	35.33	---	10.62	45.95	---	73.96	53.96	-8.01
4883.54	1.00	184	42.61	---	3.99	46.60	---	73.96	53.96	-7.36
7324.37	1.00	141	40.60	---	10.33	50.93	---	73.96	53.96	-3.03
9765.21	1.00	75	34.94	---	11.90	46.84	---	73.96	53.96	-7.12
12206.04	1.00	256	38.78	---	9.79	48.57	---	73.96	53.96	-5.39

Test mode: BT CH40 for 1GHz to 25GHz [Vertical]

<i>Frequency</i>	<i>Ant. H.</i>	<i>Table</i>	<i>Amplitude</i>		<i>Correction Factor</i>	<i>Corrected Amplitude</i>		<i>Limit</i>		<i>Margin</i>
			<i>Peak / Ave.</i>			<i>Peak / Ave.</i>		<i>Peak / Ave.</i>		
<i>MHz</i>	<i>m</i>	<i>degree</i>	<i>dBμV</i>		<i>dB/m</i>	<i>dBμV/m</i>		<i>dBμV/m</i>		<i>dB</i>
1939.58	1.00	299	35.50	---	9.03	44.53	---	73.96	53.96	-9.43
3039.58	1.00	237	34.67	---	10.62	45.29	---	73.96	53.96	-8.67
4883.54	1.00	283	40.11	---	3.99	44.10	---	73.96	53.96	-9.86
7324.37	1.00	181	37.94	---	10.33	48.27	---	73.96	53.96	-5.69
9765.21	1.00	118	34.94	---	11.90	46.84	---	73.96	53.96	-7.12
12206.04	1.00	325	39.78	---	9.79	49.57	---	73.96	53.96	-4.39

Test mode: BT CH79 for 30MHz to 1GHz [Horizontal]

<i>Radiated Emission</i>				<i>Correction Factors</i>	<i>Corrected Amplitude</i>	<i>Class B (3 m)</i>	
<i>Frequency (MHz)</i>	<i>Amplitude (dBµV)</i>	<i>Ant. H. (m)</i>	<i>Table (°)</i>			<i>Limit (dBµV/m)</i>	<i>Margin (dB)</i>
59.10	25.66	1.00	3	2.24	27.90	40.00	-12.10
200.96	28.09	1.00	353	-3.50	24.59	43.50	-18.91
243.40	30.19	1.00	27	-3.86	26.33	46.00	-19.67
339.19	30.89	1.00	227	-2.84	28.05	46.00	-17.95
434.97	29.51	1.00	227	0.23	29.74	46.00	-16.26
478.62	26.51	1.00	320	1.67	28.18	46.00	-17.82

Test mode: BT CH79 for 30MHz to 1GHz [Vertical]

<i>Radiated Emission</i>				<i>Correction Factors</i>	<i>Corrected Amplitude</i>	<i>Class B (3 m)</i>	
<i>Frequency (MHz)</i>	<i>Amplitude (dBµV)</i>	<i>Ant. H. (m)</i>	<i>Table (°)</i>			<i>Limit (dBµV/m)</i>	<i>Margin (dB)</i>
74.86	25.42	1.00	40	1.04	26.46	40.00	-13.54
146.40	30.16	1.00	310	-3.36	26.80	43.50	-16.70
193.69	27.15	1.00	261	-3.61	23.54	43.50	-19.96
288.26	32.22	1.00	23	-3.82	28.40	46.00	-17.60
558.65	27.31	1.00	222	4.88	32.19	46.00	-13.81
798.72	22.42	1.00	17	11.95	34.37	46.00	-11.63

Test mode: BT CH79 for 1GHz to 25GHz [Horizontal]

<i>Frequency</i>	<i>Ant. H.</i>	<i>Table</i>	<i>Amplitude</i>		<i>Correction Factor</i>	<i>Corrected Amplitude</i>		<i>Limit</i>		<i>Margin</i>
			<i>Peak / Ave.</i>			<i>Peak / Ave.</i>		<i>Peak / Ave.</i>		
<i>MHz</i>	<i>m</i>	<i>degree</i>	<i>dBμV</i>		<i>dB/m</i>	<i>dBμV/m</i>		<i>dBμV/m</i>		<i>dB</i>
1989.58	1.00	88	34.84	---	8.25	43.09	---	73.96	53.96	-10.87
2683.33	1.00	88	35.67	---	9.83	45.50	---	73.96	53.96	-8.46
4962.08	1.00	238	41.28	---	4.25	45.53	---	73.96	53.96	-8.43
7439.17	1.00	136	38.78	---	10.33	49.11	---	73.96	53.96	-4.85
9922.29	1.00	148	37.28	---	11.66	48.94	---	73.96	53.96	-5.02
12399.37	1.00	78	38.60	---	9.02	47.62	---	73.96	53.96	-6.34

Test mode: BT CH79 for 1GHz to 25GHz [Vertical]

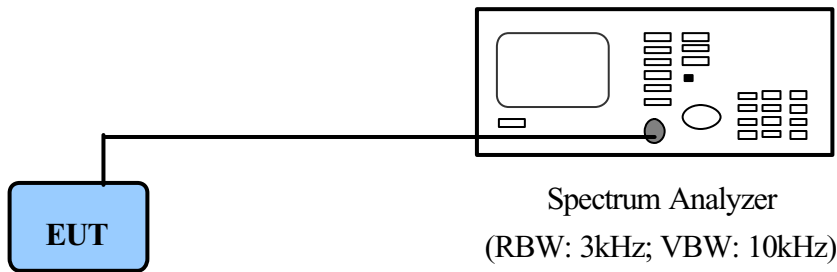
<i>Frequency</i>	<i>Ant. H.</i>	<i>Table</i>	<i>Amplitude</i>		<i>Correction Factor</i>	<i>Corrected Amplitude</i>		<i>Limit</i>		<i>Margin</i>
			<i>Peak / Ave.</i>			<i>Peak / Ave.</i>		<i>Peak / Ave.</i>		
<i>MHz</i>	<i>m</i>	<i>degree</i>	<i>dBμV</i>		<i>dB/m</i>	<i>dBμV/m</i>		<i>dBμV/m</i>		<i>dB</i>
2004.17	1.00	356	35.00	---	8.10	43.10	---	73.96	53.96	-10.86
2860.42	1.00	14	35.16	---	10.17	45.33	---	73.96	53.96	-8.63
7439.17	1.00	76	36.11	---	10.33	46.44	---	73.96	53.96	-7.52
9922.29	1.00	344	35.44	---	11.66	47.10	---	73.96	53.96	-6.86
12399.37	1.00	233	37.60	---	9.02	46.62	---	73.96	53.96	-7.34
22320.83	1.00	300	45.16	---	3.33	48.49	---	73.96	53.96	-5.47

XIII. Section 15.247(d): Power Spectral Density

13.1 Test Condition & Setup

The tests below are running with the EUT transmitter set at high power in TDD mode. The EUT is needed to force selection of output power level and channel number. While testing, the EUT was set to transmit continuously and to be tested by the contact manner with the spectrum analyzer.

13.2 Test Instruments Configuration



PC to control the EUT at maximal power output and channel number and set antenna kit

13.3 List of Test Instruments

Instrument Name	Model No.	Brand	Serial No.	<u>Calibration Date</u>
				Next time
Spectrum Analyzer	MS2665C	ANRITSU	6200175476	11/15/06

13.4 Test Result of Power spectral density

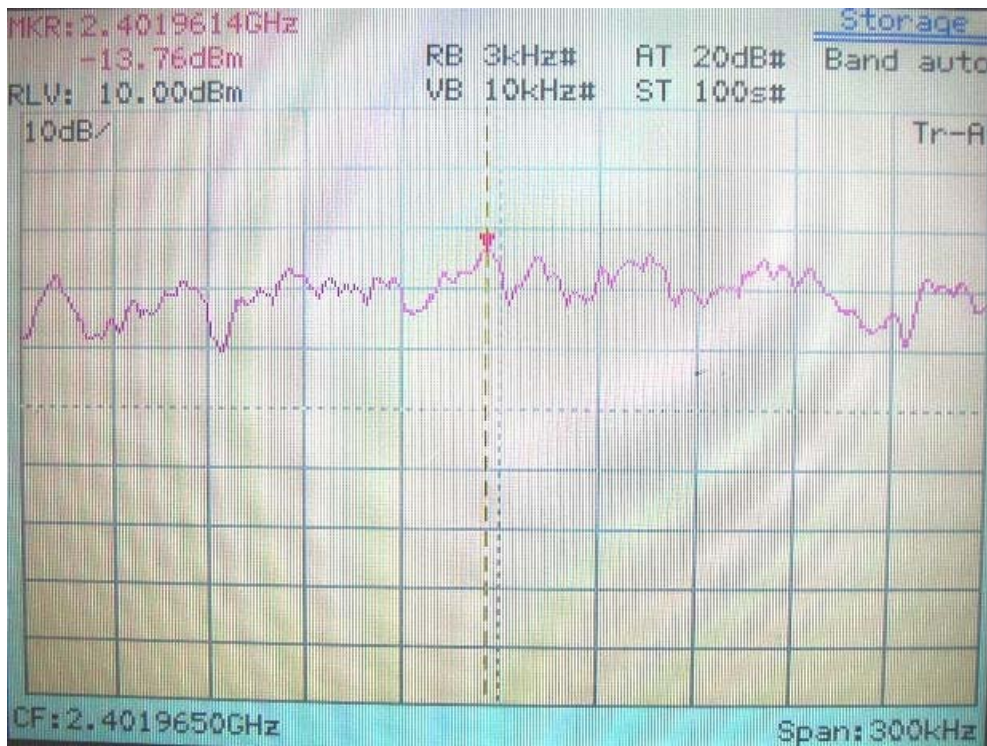
The following table shows a summary of the test results of the Power Spectral Density.

<i>Channel</i>	<i>Ppr</i> <i>(dBm)</i>	<i>Cable Loss</i> <i>(dB)</i>	<i>Ppq</i> <i>(dBm)</i>	<i>Limit</i> <i>(dB)</i>	<i>Margin</i> <i>(dB)</i>
CH 01	-15.66	0.70	-14.96	8.00	-22.96
CH 40	-14.75	0.70	-14.05	8.00	-22.05
CH 79	-14.57	0.70	-13.87	8.00	-21.87

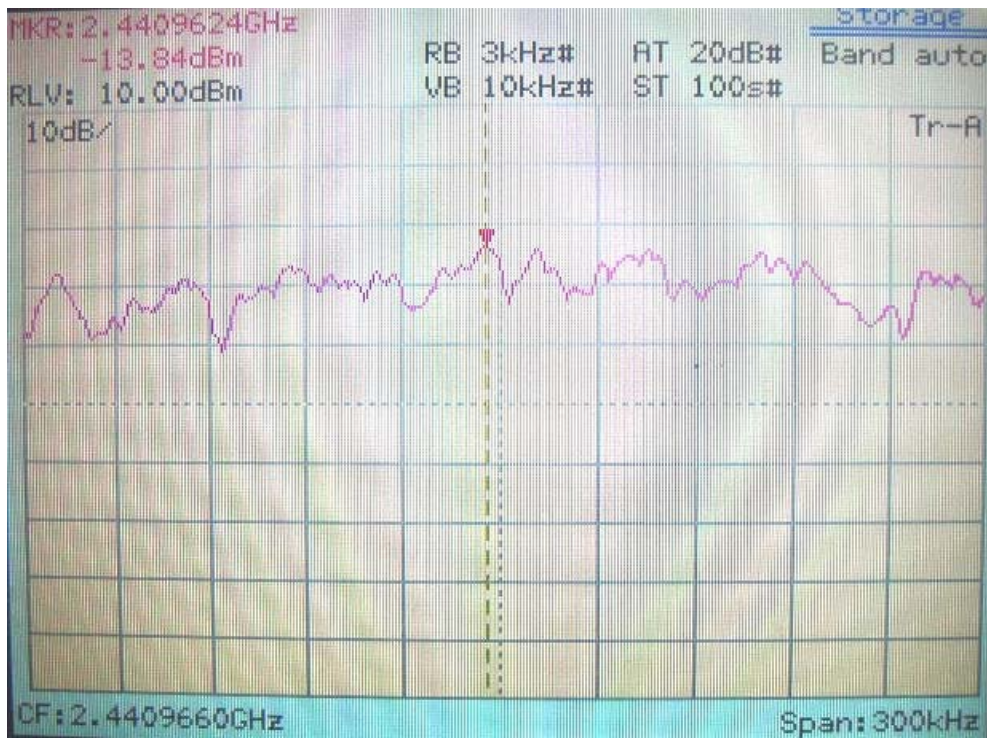
Note:

1. The following pages show the results of spectrum reading.
2. Ppr: spectrum read power density (using peak search mode),
Ppq: actual peak power density in the spread spectrum band.
3. $Ppq = Ppr + |Cable Loss|$

Power Spectral Density for CH01



Power Spectral Density for CH40



Power Spectral Density for CH79

