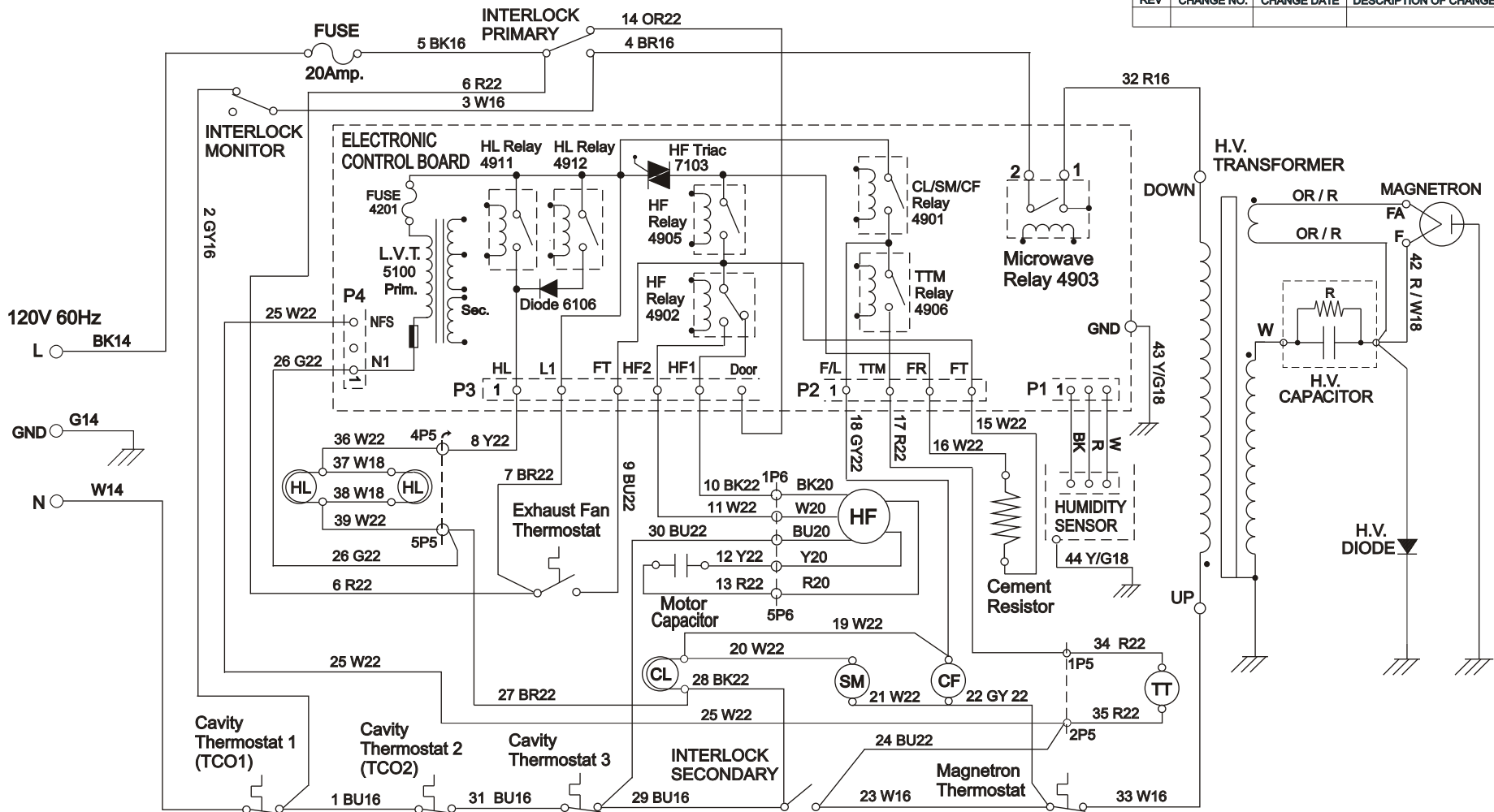


REV	CHANGE NO.	CHANGE DATE	DESCRIPTION OF CHANGE	SIGN



CONDITION: DOOR OPEN
SYMBOL NOTES

- CAVITY LAMP
- HOOD LAMP (COOKTOP LAMP)
- COOLING FAN MOTOR
- HOOD FAN MOTOR

- TURNTABLE MOTOR
- STIRRER MOTOR
- P1/P2/P3/P4/P5/P6: CONNECTORS
- BK: BLACK W: WHITE BR: BROWN
- BU: BLUE G: GREEN OR: ORANGE
- R: RED Y: YELLOW GY: GRAY
- 1 BU16 — WIRE SIZE - AWG16
- WIRE COLOR - BLUE
- WIRE NO. - 1

RELEASE FOR:

QUOTATION

TOOL MAKING

REQ. QTY. _____ PCS

PURCHASING

REQ. QTY. _____ PCS

MODIFICATION

REQ. QTY. _____ PCS

UPDATE DWG.

REFERENCE

PRODUCTION

APP. BY _____

DATE _____



Shunde Whirlpool Electrical Appliances Co., Ltd.

DESIGNER: Dai Xu Lei	TITLE: SCHEMATIC DIAGRAM
DATE: FEB. 17, 2004	DWG. NO. MU-080
FIRST USE MODEL NO: ARIES MH3184XP / MH3185XP	SCALE: UNIT: A4
ASSEMBLE TO:	3rd PROJ
GENERAL TOLERANCES:	SHEET OF