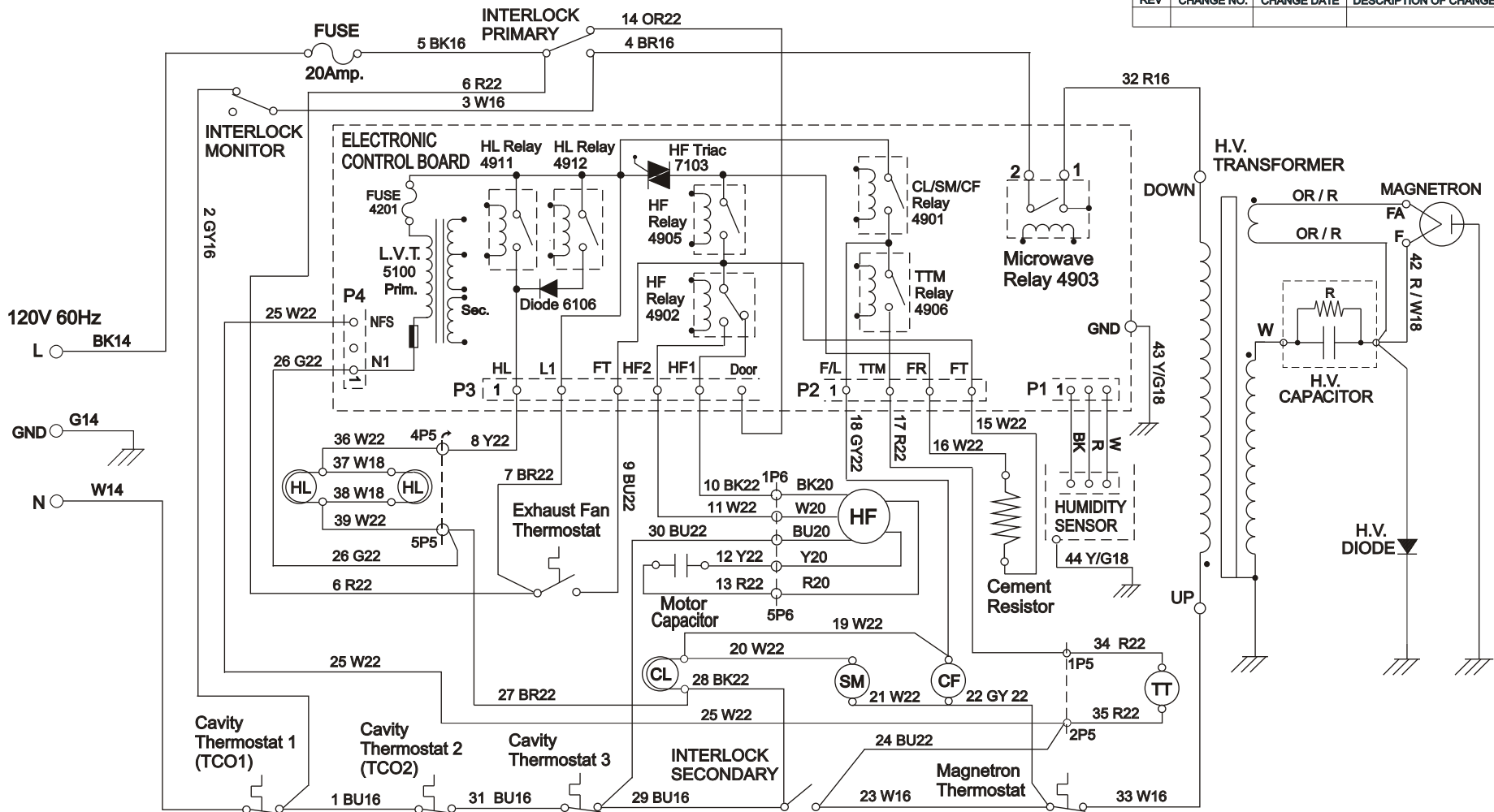


REV	CHANGE NO.	CHANGE DATE	DESCRIPTION OF CHANGE	SIGN



CONDITION: DOOR OPEN
SYMBOL NOTES

- CAVITY LAMP
- HOOD LAMP (COOKTOP LAMP)
- COOLING FAN MOTOR



- TURNTABLE MOTOR
- STIRRER MOTOR

P1/P2/P3/P4/P5/P6: CONNECTORS
 BK: BLACK W: WHITE BR: BROWN
 BU: BLUE G: GREEN OR: ORANGE
 R: RED Y: YELLOW GY: GRAY

1 BU16 — WIRE SIZE - AWG16
 — WIRE COLOR - BLUE
 — WIRE NO. - 1

RELEASE FOR:

- QUOTATION
- TOOL MAKING
- PURCHASING
- MODIFICATION
- UPDATE DWG.
- REFERENCE
- PRODUCTION

REQ. QTY. _____ PCS

REQ. QTY. _____ PCS

REQ. QTY. _____ PCS

APP. BY _____

DATE _____



Shunde Whirlpool Electrical Appliances Co., Ltd.

DESIGNER: Dai Xu Lei	TITLE: SCHEMATIC DIAGRAM		
DATE: FEB. 17, 2004	DWG. NO. MU-080		
FIRST USE MODEL NO: ARIES MH3184XP / MH3185XP	SCALE:	UNIT:	A4
ASSEMBLE TO:	3rd PROJ	SHEET OF	