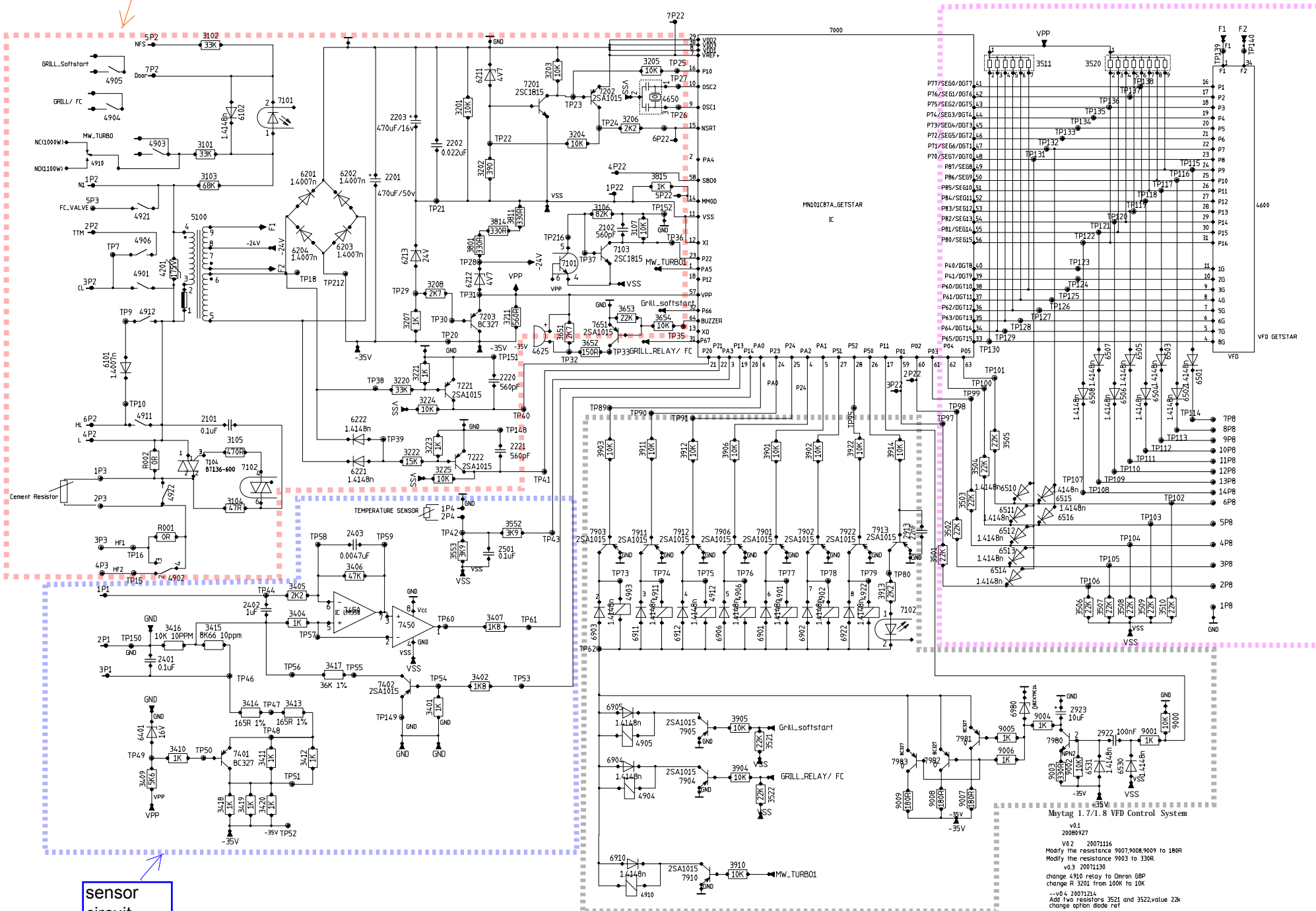


power supplier

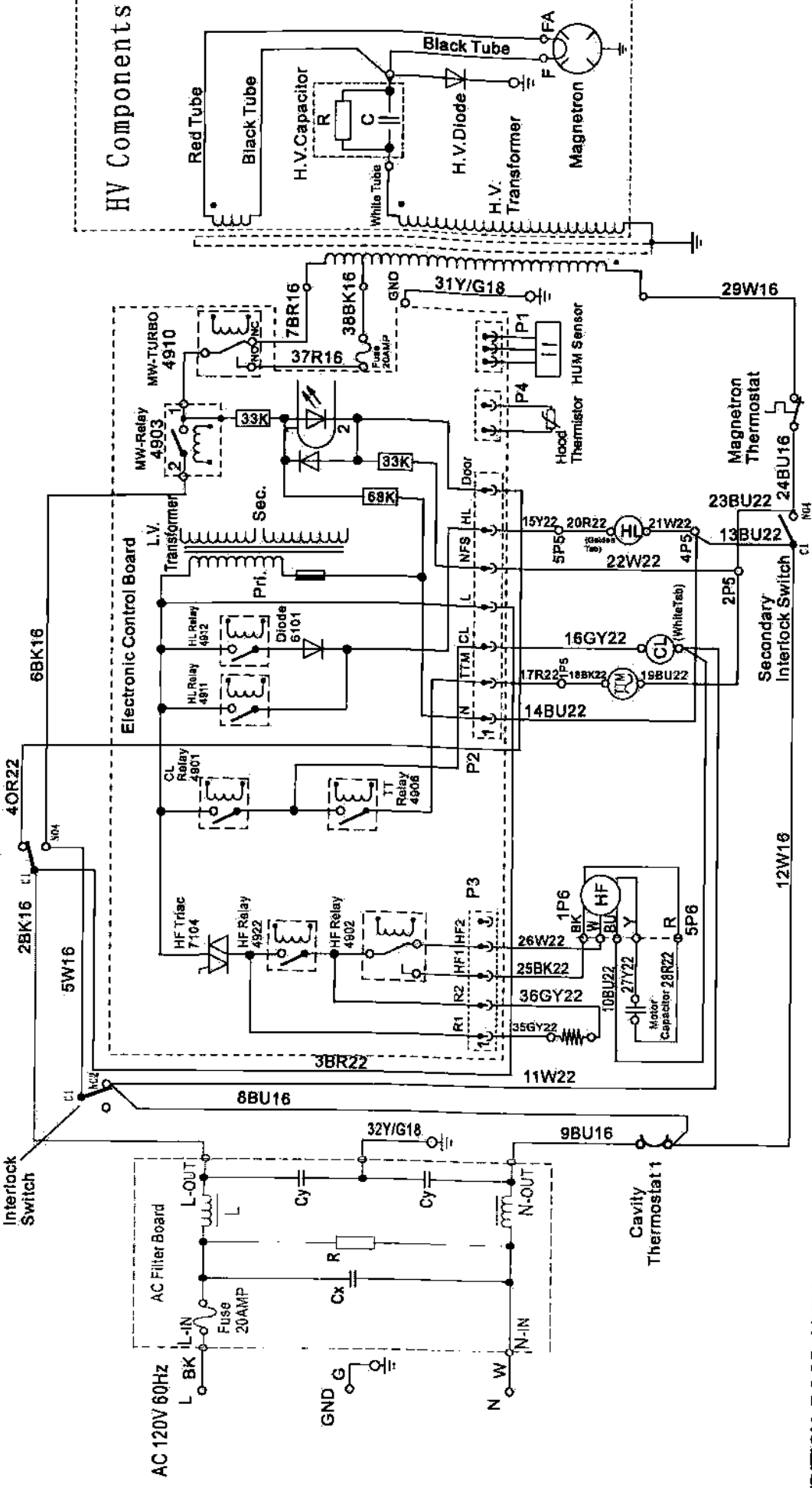


display and touch foil control

sensor circuit

relay and triac control

Mytag 1.7/1.8 VFD Control System
 v0.1 20080927
 v0.2 20071116
 Modify the resistance 9007/9008/9009 to 180R
 Modify the resistance 9003 to 330R.
 v0.3 20071130
 change 4910 relay to Omron 68P
 change R 3201 from 100K to 10K
 ->v0.4 20071214
 Add two resistors 3521 and 3522, value 22k
 change option diode ref



Whisper Appliances

W h i s p e r
APPLIANCES

DESIGNER: Andy Yang
DATE: Mar. 11, 2010

TITLE: SCHEMATIC DIAGRAM
DWG. NO.: MU-044 (Ver. B)

SCALE: 3rd PROJ
UNIT: A

ASSEMBLE TO:
GENERAL TOLERANCES:

SHEET OF

RELEASE FOR:

<input type="checkbox"/> QUOTATION	PCS
<input type="checkbox"/> TOOL MAKING	PCS
<input type="checkbox"/> REQ. QTY.	PCS
<input type="checkbox"/> PURCHASING	PCS
<input type="checkbox"/> REQ. QTY.	PCS
<input type="checkbox"/> MODIFICATION	PCS
<input type="checkbox"/> REQ. QTY.	PCS
<input type="checkbox"/> UPDATE DWG.	
<input type="checkbox"/> REFERENCE	
<input checked="" type="checkbox"/> PRODUCTION	

APP. BY _____
DATE _____

TURNABLE MOTOR

P2/P3/P4/P5/P6/P7: CONNECTORS
BK: BLACK W: WHITE BR: BROWN
BU: BLUE G: GREEN OR: ORANGE
R: RED Y: YELLOW GY: GRAY

1 BK16 — WIRE SIZE - AWG16
WIRE COLOR - BLACK
WIRE NO. - 1

HOOD FAN MOTOR

HOOD LAMP (COOKTOP LAMP)

CAVITY LAMP

CONDITION: DOOR OPEN
BOL NOTES