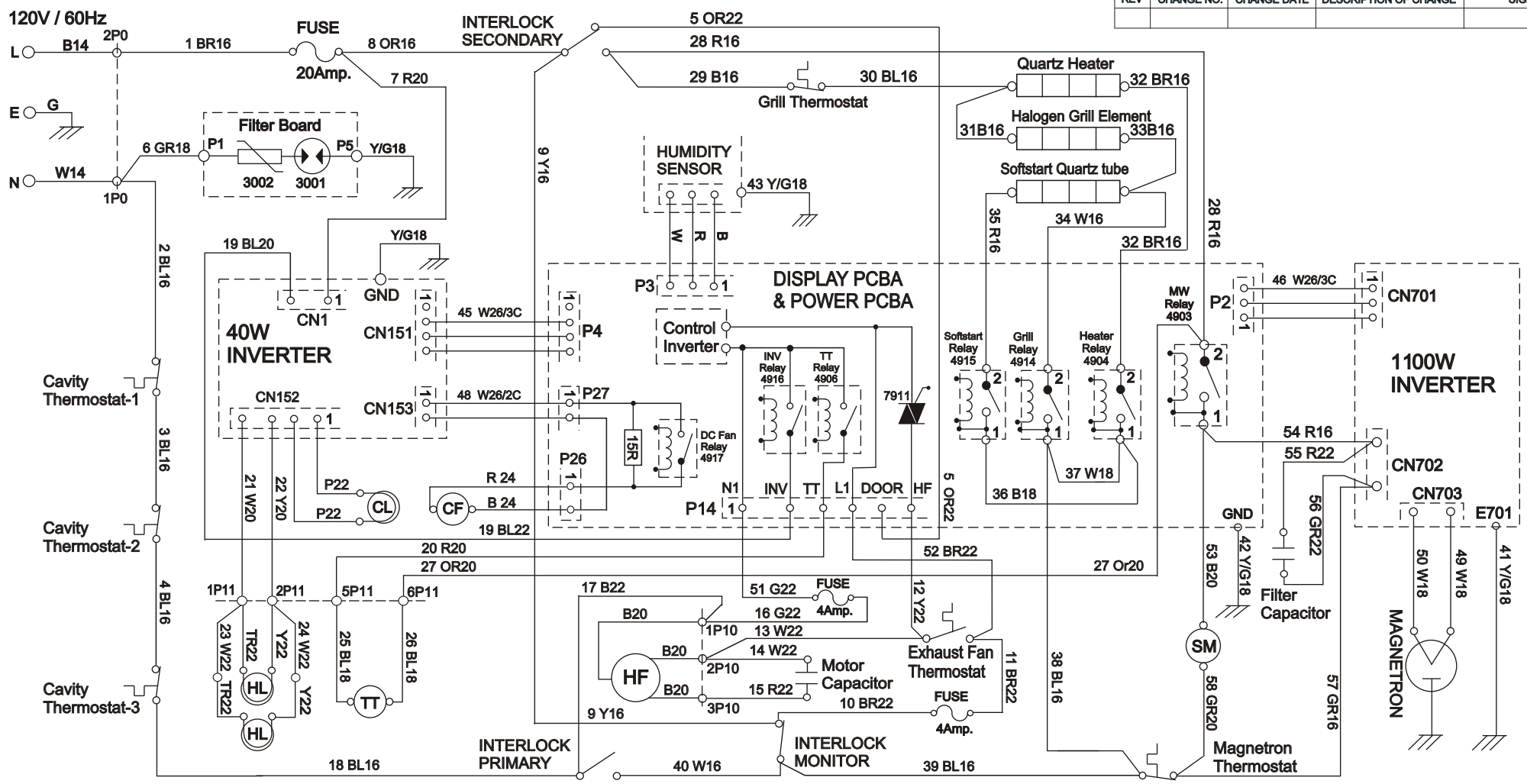


REV	CHANGE NO.	CHANGE DATE	DESCRIPTION OF CHANGE	SIGN



CONDITION: DOOR OPEN
SYMBOL NOTES

- CAVITY LAMP
- HOOD LAMP (COOKTOP LAMP)
- STIRRER MOTOR
- TURNTABLE MOTOR
- COOLING FAN MOTOR (DC FAN MOTOR)

- HOOD EXHAUST FAN MOTOR
- P1/P2/P3/P4/P5/P14/P26/P27/CN1/CN151/CN152/CN153/CN701/CN702/CN703: WIRE TO PCB CONNECTORS
- P0/P10/P11: WIRE TO WIRE CONNECTORS
- B: BLACK W: WHITE BR: BROWN
BL: BLUE G: GREEN OR: ORANGE
R: RED Y: YELLOW GR: GREY
TR: TRANSPARENT P: PINK
- 1 BR16 — WIRE SIZE - AWG16
- WIRE COLOUR - BROWN
- WIRE NO. - 1
- 45 W26/3C — RIBBON CABLE / 3 Core

RELEASE FOR:

QUOTATION

TOOL MAKING
REQ. QTY. _____ PCS

PURCHASING
REQ. QTY. _____ PCS

MODIFICATION
REQ. QTY. _____ PCS

UPDATE DWG.

REFERENCE

APP. BY _____

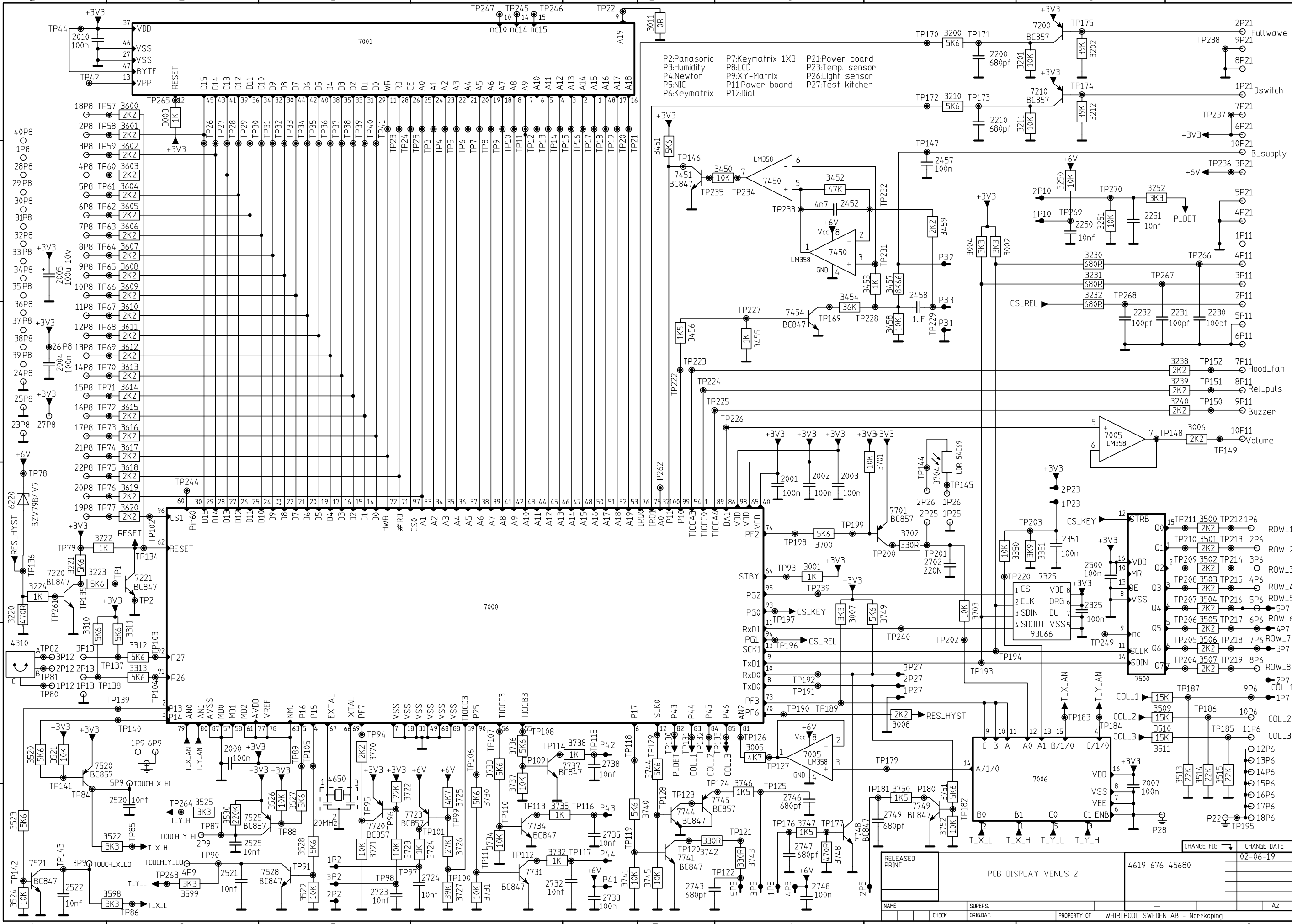
DATE _____

Shunde Whirlpool Electrical Appliances Co., Ltd.

DESIGNER: Dal, Xu Lei	TITLE: SCHEMATIC DIAGRAM
DATE: SEP 6, 2002	DWG. NO.: MU-064A (with filter board)
FIRST USE MODEL NO.: VENUS II	SCALE:
ASSEMBLE TO:	UNIT: A4
GENERAL TOLERANCES:	SHEET OF

All rights strictly reserved.
Reproduction or issue to third parties
in any form whatever is not permitted
without written authority from the proprietor.

WHIRLPOOL SWEDEN AB

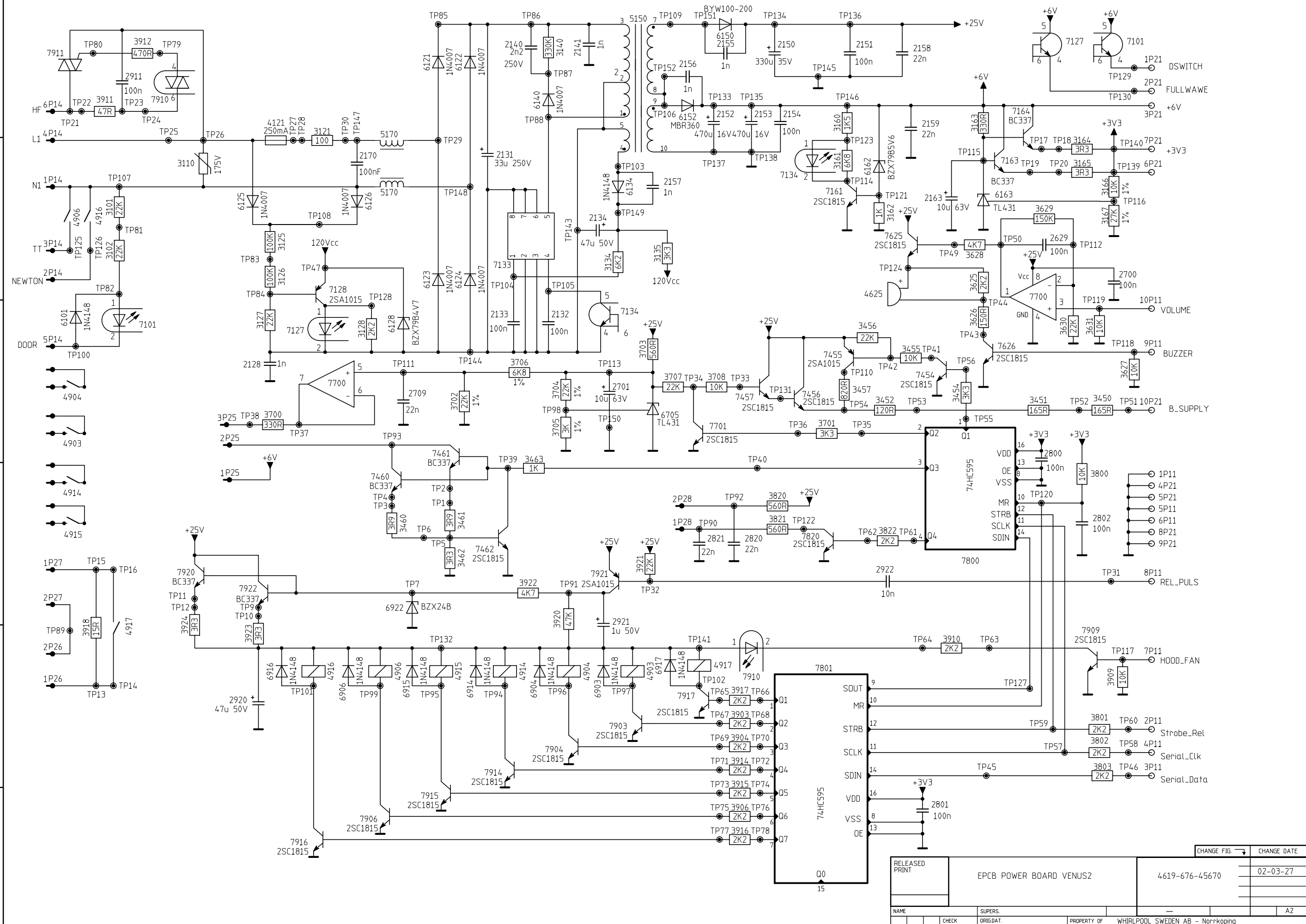


- P2.Panasonic
- P3.Humidity
- P4.Newton
- P5.NIC
- P6.Keymatrix
- P7.Keymatrix 1X3
- P8.LCD
- P9.XY-Matrix
- P11.Power board
- P12.Dial
- P21.Power board
- P23.Temp. sensor
- P26.Light sensor
- P27.Test kitchen

RELEASED PRINT		PCB DISPLAY VENUS 2		4619-676-45680		02-06-19	
NAME	CHECK	SUPERS.	ORIG.DAT.	PROPERTY OF	WHIRLPOOL SWEDEN AB - Norrköping	Modelname:	Drawingname:
							A2

All rights strictly reserved.
 Reproduction or issue to third parties
 in any form whatever is not permitted
 without written authority from the proprietor.

WHIRLPOOL SWEDEN AB



RELEASED PRINT		EPCB POWER BOARD VENUS2		CHANGE FIG	CHANGE DATE
NAME	CHECK	SUPERS.	PROPERTY OF	4619-676-45670	02-03-27
		ORIG.DAT.	WHIRLPOOL SWEDEN AB - Norrköping		
Modelname:				Drawingname:	
				A2	