

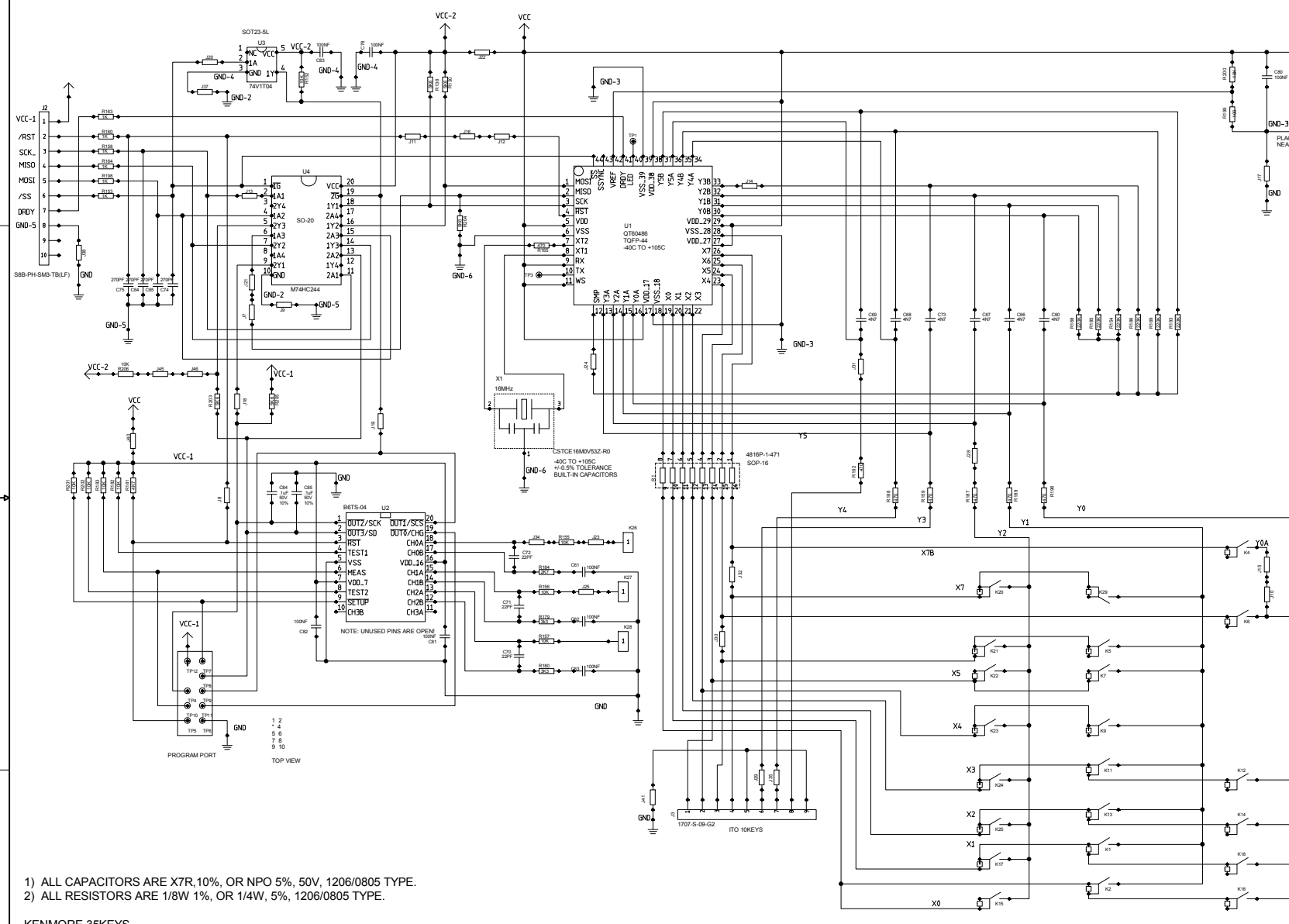
DWG NO. MU-056(REV. A)

Condition: Door Open  
 Symbol Notes  
 CL Cavity Lamp  
 HL Hood Lamp (Cooktop Lamp)  
 TT Turntable Motor  
 BK Cooling Fan Motor  
 BK Power Resistor

P21/P31/P32/P33/P34/P35/P51/P52/P53/P54/P55/P56/P57  
 /P58/P61/P62/P63/P64/P65/P66/P67/P68/P71/P72/P73/  
 P74/CN701/CN702/CN703: Wire to PCB Connectors  
 P81/P82/P83/P84/P85/P86: Wire to Wire Connectors

BR: Brown  
 OR: Orange  
 GY: Gray  
 W: White  
 G: Green  
 Y: Yellow  
 1 BR  
 W/3C — Ribbon Cable / 3 Core

DRAWING NUMBER: @Drawing\_Number REV: @Revision  
SEE SHEET 1 OF THIS DRAWING FOR REVISION HISTORY



PLACE THESE DECOUPLING CAPACITORS NEAR TO VDD PINS OF QT6C13

COMPONENT SUPPLIER PART NUMBERS ARE FOR REFERENCE ONLY. SEE THE APPROPRIATE PARTS LIST FOR COMPONENT TYPE AND VALUE. SEE THE APPROVED MANUFACTURERS LIST FOR APPROVED SUPPLIERS.

FSP IS A REGISTERED TRADEMARK OF WHIRLPOOL CORPORATION. THIS DRAWING IS THE PROPERTY OF WHIRLPOOL CORP. AND IS DISCLOSED IN CONFIDENCE TO THE EXTENT ITS SUBJECT MATTER IS ORIGINAL WITH WHIRLPOOL. ANY VENDOR RECEIVING THIS DRAWING FROM WHIRLPOOL SHALL HOLD AND USE THIS DRAWING FOR THE SOLE BENEFIT OF WHIRLPOOL AND SHALL NOT DISCLOSE IT TO, OR USE OR REPRODUCE IT FOR, ANY THIRD PARTY, OR PERFORM ANY ACT ADVERSE TO THE INTEREST OF WHIRLPOOL, WITH RESPECT TO THIS DRAWING WITHOUT THE EXPRESS WRITTEN PERMISSION OF WHIRLPOOL.

VENDORS SHALL NOT REVISE ANY PHYSICAL, DIMENSIONAL, OR PERFORMANCE CHARACTERISTICS UNLESS AUTHORIZED IN WRITING BY THE WHIRLPOOL ENGINEERING GROUP.

DRAWING INTERPRETATION  
PER ASME Y14.5M - 1994  
TOLERANCE UNLESS SPECIFIED  
0 PL ± 0.10 mm | 1 PL ± 0.05 mm | 2 PL ± 0.25 mm | ANGLES ± 1 DEG

BY: @By DATE @Date  
DATABASE CODE: @Database\_Code THIRD ANGLE PROJECTION

DRAWING NAME: @Drawing\_Name SHEET 01@PgTotal

Whirlpool Corporation  
St. Joseph Technology Center  
303 Upton Dr.  
St. Joseph, MI 49885 U.S.A.  
EXP. ID. DRAWING NUMBER: @Drawing\_Number

- 1) ALL CAPACITORS ARE X7R, 10%, OR NPO 5%, 50V, 1206/0805 TYPE.
- 2) ALL RESISTORS ARE 1/8W 1%, OR 1/4W, 5%, 1206/0805 TYPE.

KENMORE 35KEYS  
12NC: 4619-647-01251  
VERSION 10  
32KEYS+3KEYS  
Jack\_Xu@WHIRLPOOL.COM  
20081121

1 2  
4 4  
5 6  
7 8  
9 10

PROGRAM PORT  
TOP VIEW

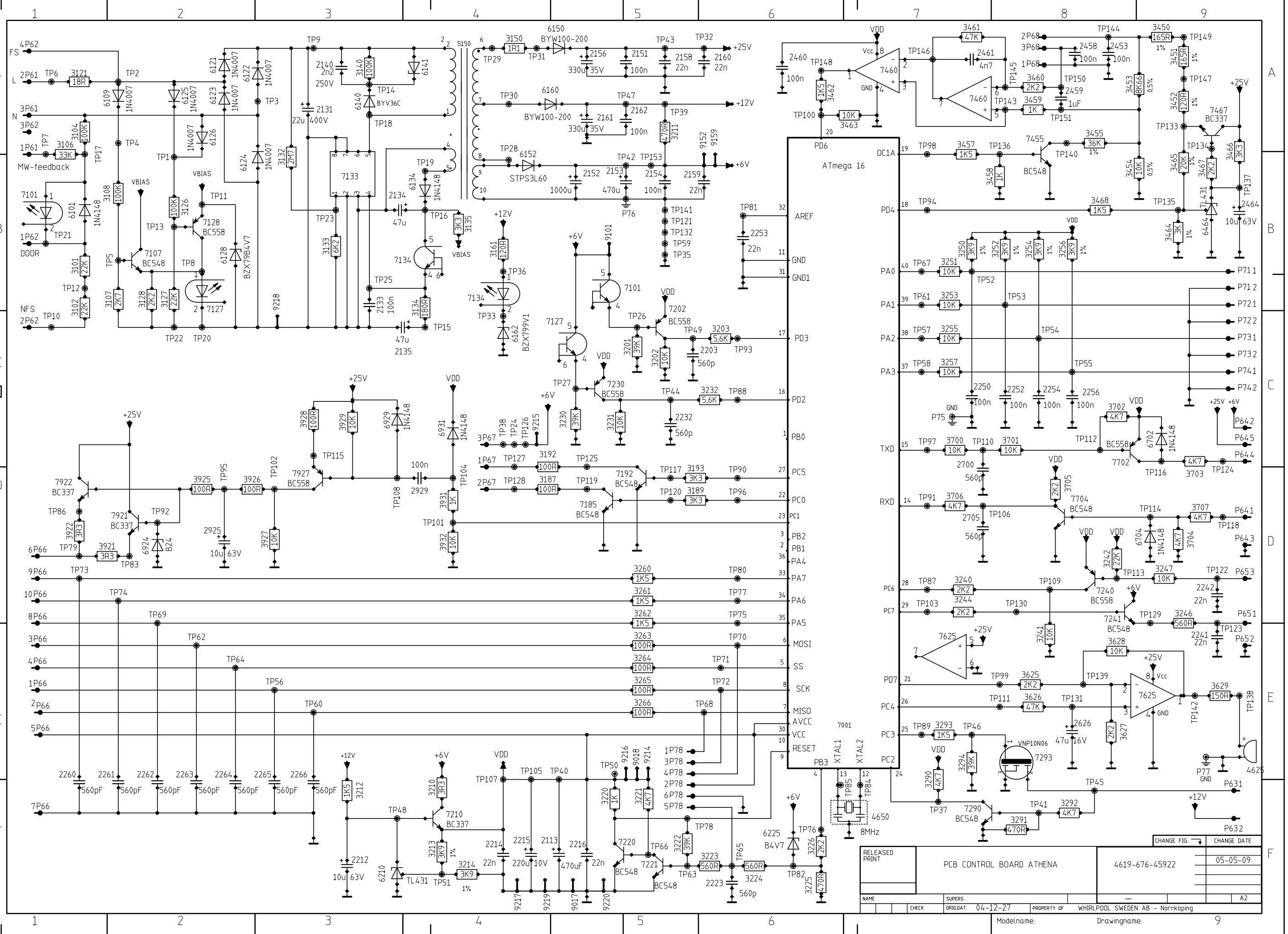
NOTE: UNUSED PINS ARE OPEN

PCB 22KEYS

1707-S-09-G2 ITO 10KEYS

All rights strictly reserved.  
Reproduction or issue to third parties  
in any form whatever is not permitted  
without written authority from the proprietor.

WHIRLPOOL SWEDEN AB



RELEASED PRINT		PCB CONTROL BOARD ATHENA		4619-676-45922		05-05-09	
NAME	CHECK	SUPERS	ORIGDAT: 04-12-27	PROPERTY OF	WHIRLPOOL SWEDEN AB - Norrköping	A2	
Modelname:				Drawingname:			