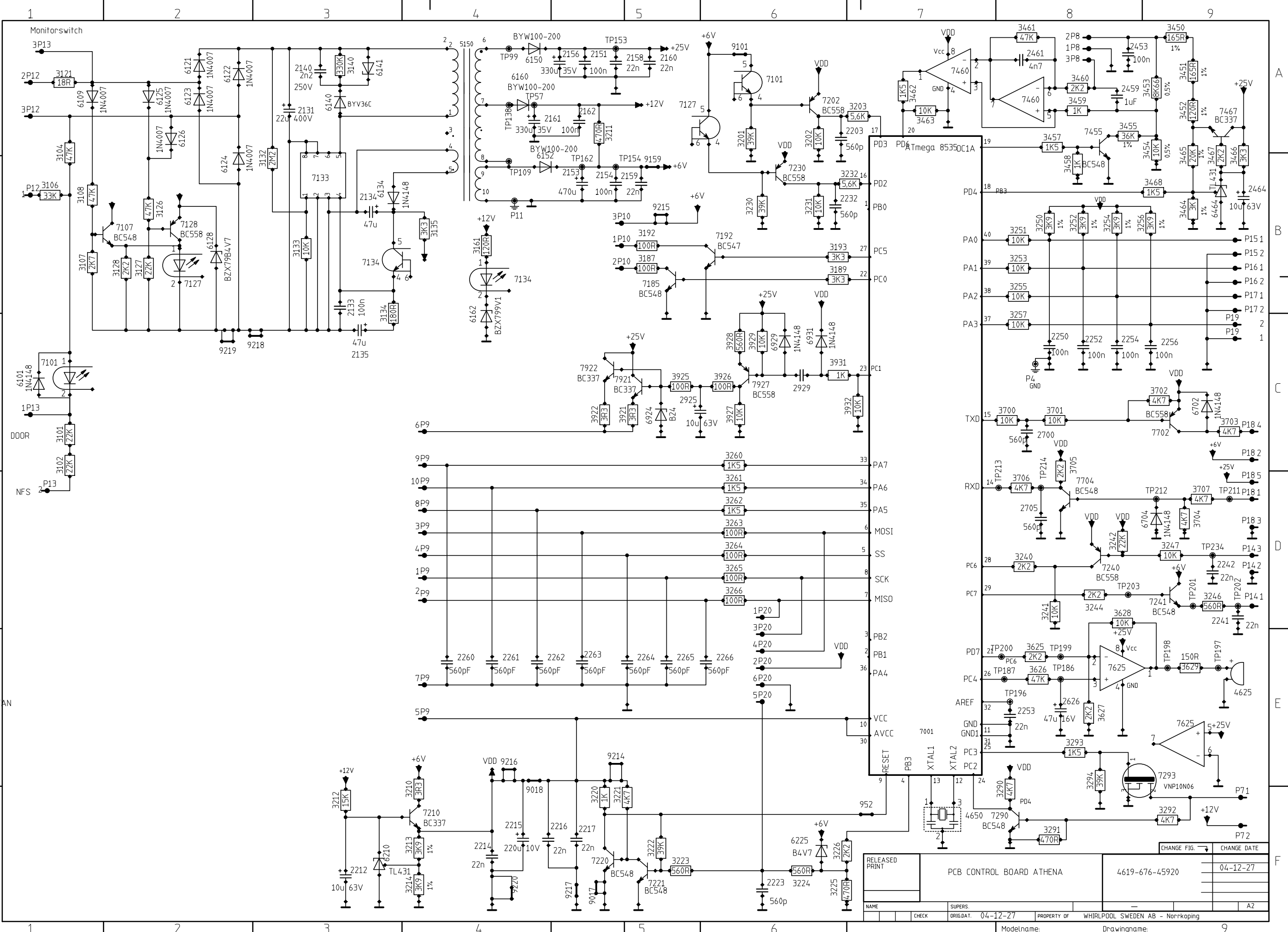


All rights strictly reserved.
Reproduction or issue to third parties
in any form whatever is not permitted
without written authority from the proprietor.

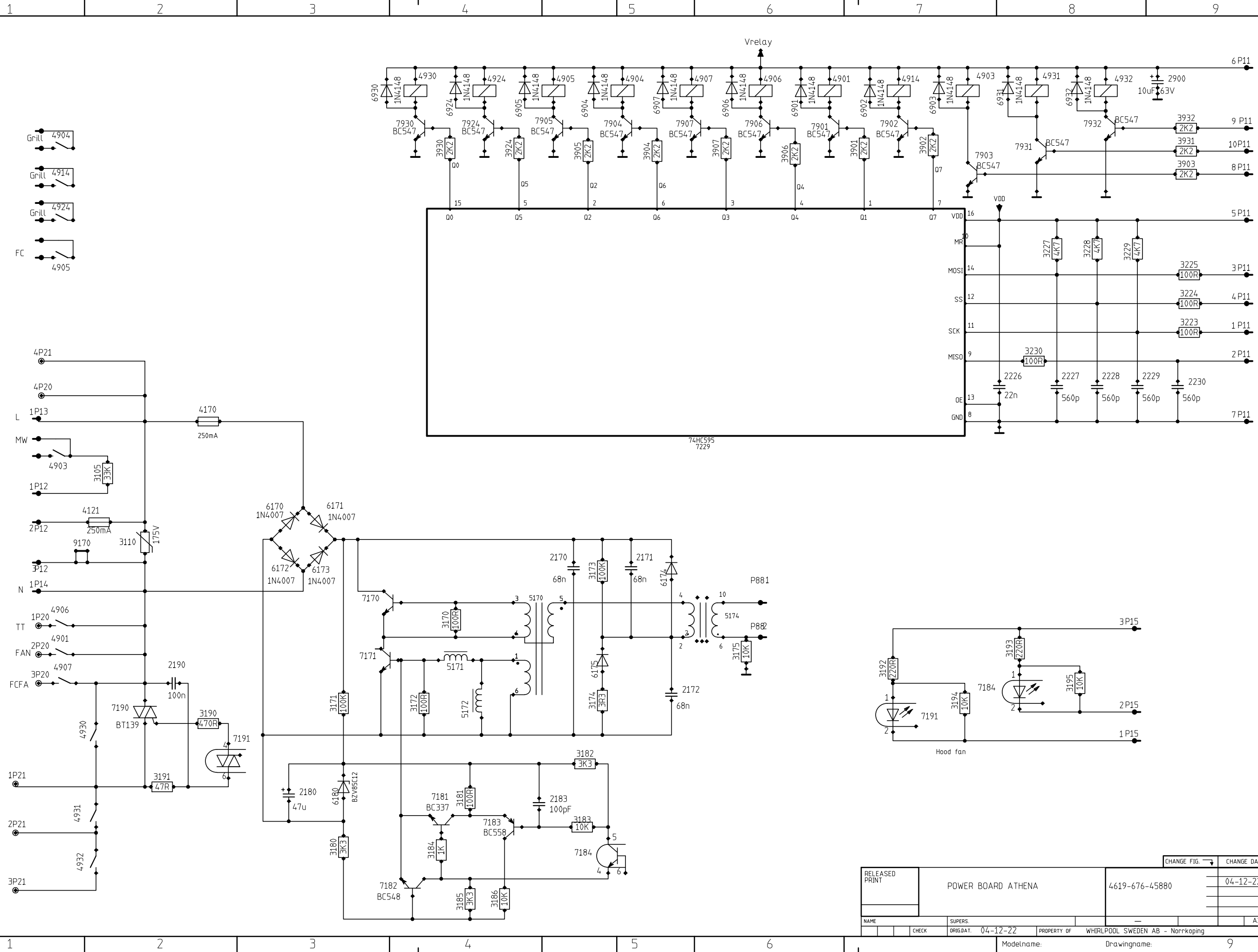
WHIRLPOOL SWEDEN AB



RELEASED PRINT		PCB CONTROL BOARD ATHENA		CHANGE FIG.		CHANGE DATE	
NAME	CHECK	SUPERS	ORIGDAT.	04-12-27	PROPERTY OF	WHIRLPOOL SWEDEN AB - Norrkoping	A2
Modelname:				Drawingname:			

All rights strictly reserved.
Reproduction or issue to third parties
in any form whatever is not permitted
without written authority from the proprietor.

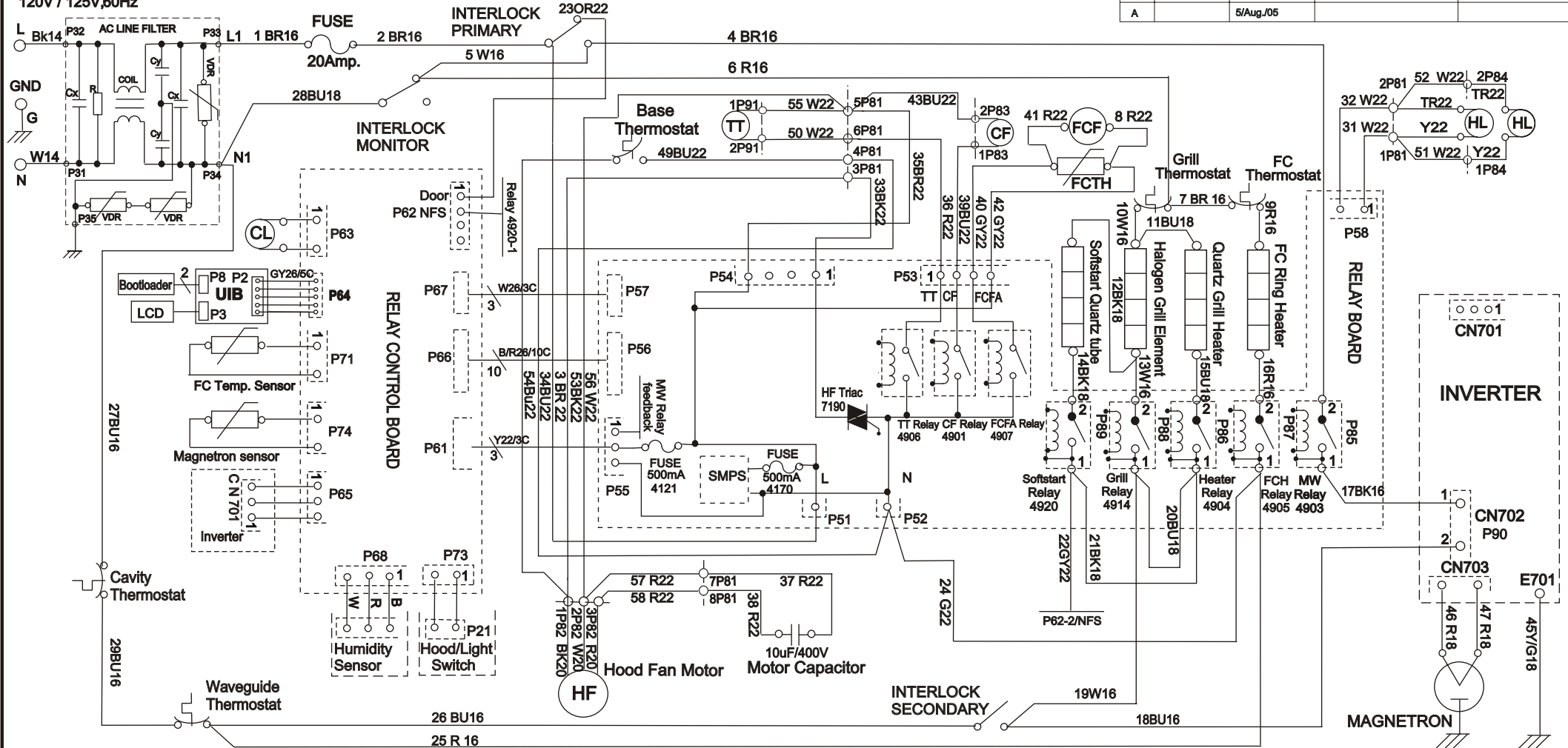
WHIRLPOOL SWEDEN AB



RELEASED PRINT		POWER BOARD ATHENA		4619-676-45880		CHANGE FIG.	CHANGE DATE
NAME	CHECK	SUPERS.	ORIG.DAT.	PROPERTY OF	WHIRLPOOL SWEDEN AB - Norrköping		A2
			04-12-22				
Modelname:		Drawingname:					

120V / 125V,60Hz

REV	CHANGE NO.	CHANGE DATE	DESCRIPTION OF CHANGE	SIGN
A		5/Aug./05		



CONDITION: DOOR OPEN
SYMBOL NOTES

- CAVITY LAMP
- HOOD LAMP (COOKTOP LAMP)
- TURNTABLE MOTOR
- COOLING FAN MOTOR
- FC FAN MOTOR
- FC THERMOACTUATOR
- POWER RESISTOR



- HOOD FAN MOTOR**
- P21/P31/P32/P33/P34/P35/P51/P52/P53/P54/P55/P56/P57/P58/P61/P62/P63/P64/P65/P66/P67/P68/P71/P72/P73/P74/CN701/CN702/CN703: WIRE TO PCB CONNECTORS
 P81/P82/P83/P84: WIRE TO WIRE CONNECTORS
 P85/P86/P87/P88/P89/P90: WIRE TO RELAY CONNECTORS
- BK: BLACK W: WHITE BR: BROWN
 BU: BLUE G: GREEN OR: ORANGE
 R: RED Y: YELLOW GY: GRAY
- TR: TRANSPARENT
 1 BR16 — WIRE SIZE - AWG16
 — WIRE COLOR - BROWN
 — WIRE NO. - 1
 W26/3C — RIBBON CABLE 26AWG / 3 Core

RELEASE FOR:

QUOTATION

TOOL MAKING

REQ. QTY. _____ PCS

PURCHASING

REQ. QTY. _____ PCS

MODIFICATION

REQ. QTY. _____ PCS

UPDATE DWG.

REFERENCE

APP. BY _____

DATE _____



Shunde Whirlpool Electrical Appliances Co., Ltd.

DESIGNER: Hanks Hu	TITLE: SCHEMATIC DIAGRAM		
DATE: AUG 5, 2005	DWG. NO. MU-082		
FIRST USE MODEL NO: ATHENA	SCALE:		
GRILL & FC INVERTER MODEL: GH7208X series	UNIT: A4		
ASSEMBLE TO:	SHEET OF		
GENERAL TOLERANCES:	3rd PROJ		