

CONDITION: DOOR OPEN  
SYMBOL NOTES

- CAVITY LAMP
- COOLING FAN MOTOR
- TURNTABLE MOTOR
- HOOD FAN MOTOR

HOOD LAMP (COOKTOP LAMP)

STIRRER MOTOR

P1/P2/P3: CONNECTORS

B: BLACK W: WHITE BR: BROWN  
BL: BLUE G: GREEN OR: ORANGE

R: RED Y: YELLOW

1 BR18 — WIRE SIZE - AWG18  
— WIRE COLOUR - BROWN  
— WIRE NO. - 1

RELEASE FOR:  
 QUOTATION  
 TOOL MAKING  
 REQ. QTY. \_\_\_\_\_ PCS  
 PURCHASING  
 REQ. QTY. \_\_\_\_\_ PCS  
 MODIFICATION  
 REQ. QTY. \_\_\_\_\_ PCS  
 UPDATE DWG.  
 REFERENCE  
 \_\_\_\_\_  
 APP. BY 3/5/2000  
 DATE 3/5/2000

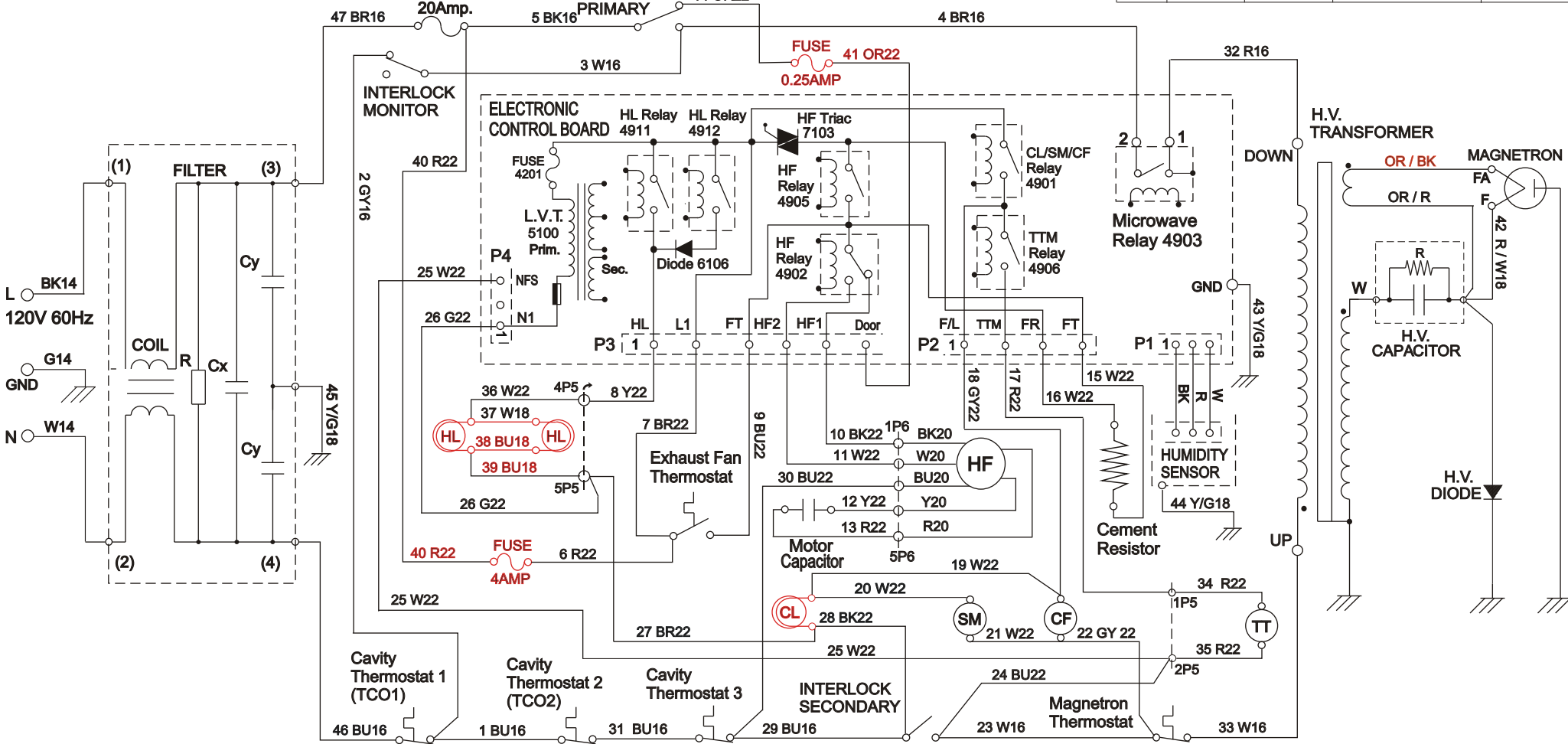


Shunde Whirlpool Electrical Appliances Co., Ltd.

DESIGNER: *Dai, XuLei*  
 DATE: *April 11, 2000*  
 FIRST USE MODEL NO: *NS1/Mercury-Sensor - CUL*  
 ASSEMBLE TO: \_\_\_\_\_  
 TITLE: **SCHEMATIC DIAGRAM**  
 DWG. NO. *MU-051*  
 SCALE: \_\_\_\_\_ UNIT: \_\_\_\_\_  
 3rd PROJ SHEET **OF** **A4**

| REV | CHANGE NO. | CHANGE DATE | DESCRIPTION OF CHANGE | SIGN |
|-----|------------|-------------|-----------------------|------|
|     |            |             |                       |      |

| REV    | CHANGE NO. | CHANGE DATE | DESCRIPTION OF CHANGE | SIGN |
|--------|------------|-------------|-----------------------|------|
| Rev. A |            |             |                       |      |



**CONDITION: DOOR OPEN SYMBOL NOTES**

- CAVITY LAMP
- HOOD LAMP (COOKTOP LAMP)
- COOLING FAN MOTOR
- HOOD EXHAUST FAN MOTOR

- TURNTABLE MOTOR
- STIRRER MOTOR

P1/P2/P3/P4/P5/P6: CONNECTORS  
 BK: BLACK W: WHITE BR: BROWN  
 BU: BLUE G: GREEN OR: ORANGE  
 R: RED Y: YELLOW GY: GRAY

1 BU16 — WIRE SIZE - AWG16  
 — WIRE COLOR - BLUE  
 — WIRE NO. - 1

**RELEASE FOR:**

- QUOTATION
- TOOL MAKING
- PURCHASING
- MODIFICATION
- UPDATE DWG.
- REFERENCE
- PRODUCTION

REQ. QTY. \_\_\_\_\_ PCS

REQ. QTY. \_\_\_\_\_ PCS

REQ. QTY. \_\_\_\_\_ PCS

APP. BY \_\_\_\_\_

DATE \_\_\_\_\_



**Guangdong Whirlpool Electrical Appliances Co., Ltd.**

|   |                          |          |    |
|---|--------------------------|----------|----|
| DESIGNER: Dai Xu Lei                          | TITLE: SCHEMATIC DIAGRAM |          |    |
| DATE: Nov. 8, 2004                            | DWG. NO. MU-080          |          |    |
| FIRST USE MODEL NO: ARIES MH3184XP / MH3185XP | SCALE:                   | UNIT:    | A4 |
| ASSEMBLE TO:                                  | 3rd PROJ                 | SHEET OF |    |